

## Floor and Wall Boxes Rectangular Non-metallic

**ScrubShield™**  
Complies with UL514C

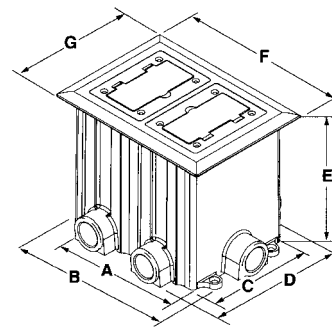


Hubbell rectangular non-metallic floor boxes offer an economical solution for single and multi-service applications. These floor boxes are available in one, two and three gang models and accept Hubbell brass, aluminum or non-metallic covers and flanges.

### Step 1: Select rectangular non-metallic floor box.

Catalog Numbers	Description	A	B	C	D	E
PFBRG1	1-gang non-metallic floor box.	3.60" (91.4)	5.44" (138.2)	5.42" (137.7)	6.90" (175.3)	6.00" (152.4)
PFBRG2	2-gang non-metallic floor box.	6.82" (173.2)	8.66" (220.0)	5.42" (137.7)	6.90" (175.3)	6.00" (152.4)
PFBRG3	3-gang non-metallic floor box.	10.04" (255.0)	11.87" (301.5)	5.42" (137.7)	6.90" (175.3)	6.00" (152.4)

Catalog Numbers	Description	F	G
PFBRFGY1	1-gang non-metallic carpet flange (includes one Hubbell PFBRMC), gray.	4.88" (124.0)	6.00" (152.4)
PFBRFGY2	2-gang non-metallic carpet flange (includes two Hubbell PFBRMC), gray.	8.13" (206.5)	6.00" (152.4)
PFBRFGY3	3-gang non-metallic carpet flange (includes three Hubbell PFBRMC), gray.	11.35" (288.3)	6.00" (152.4)



### Specifications

Boxes	Hubs
Materials	PVC
Wall Thickness	.250" typical (6.35).
Minimum Depth of Pour	3.00" (76.2).
Concrete Cover	Polypropylene
	1-Gang
	2-Gang
	3-Gang
	Reducers/Plugs
	4 - 1" trade size.
	6 - 1" trade size.
	8 - 1" trade size.
	Furnished for each hub. May be used to close off unused hubs or as a 1" to 3/4" hub reducer.

### Cubic Capacity

Increments are imprinted into side walls of boxes.  
14.3 in<sup>3</sup> (234cm<sup>3</sup>) per 1" of depth, per gang.

### Covers and Flanges

Materials	ABS
Color	Gray
UL	Meets UL 514C
Device Openings	Duplex or Style Line (two adapter inserts included with plate), single (hinged) cover door.
Gasket	Neoprene
Assembly Screws	Plated Steel

### UL Data

UL File No: E92074.



PFBRG1



PFBRG2