

AEI55

Home Audio

Brand Features

JBL studio monitors have the reputation for incorporating the most advanced audio materials, technologies and precision engineering available. Many of these same features and technologies are built into selected models in the Leviton Architectural Edition Powered by JBL series audio equipment. Whatever the application, when the specs call for JBL In Can be used as both a low-profile installed front center channel speaker (and rear center in a 6.1 system) or as an extreme performance left/right speaker in a no compromise home theater system, to perfectly match the center channel.

Item Description

Leviton Architectural Edition powered by JBL Dual 5" Woofer two-way In-Wall Center Channel Loudspeaker

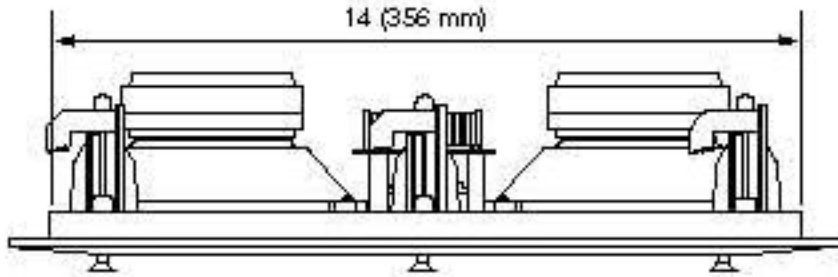


UPC Code: 07847728948

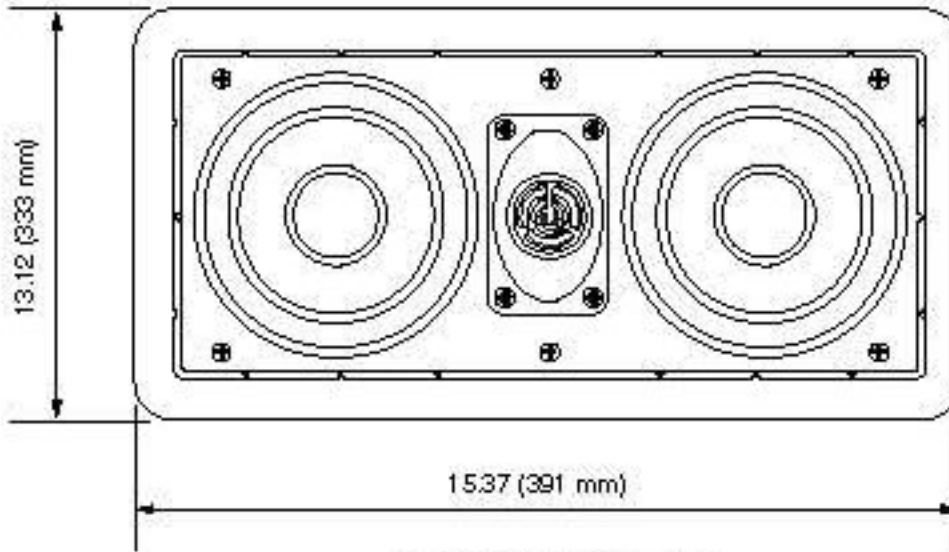
Country of Origin: China

Features and Benefits

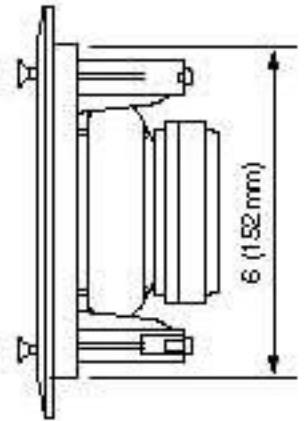
- Can be used as both a low-profile installed front center channel speaker (and rear center in a 6.1 system) or as an extreme performance left/right speaker in a no compromise home theater system, to perfectly match the center channel
- Pure Titanium tweeter and Polymer-coated aluminum woofers for maintaining musical accuracy and clarity even at frequency extremes
- Elliptical Oblate Spheroidal™ (EOS™) waveguide technology for improved high-frequency dispersion
- Straight-line Signal Path™ (SSP™) crossover network for minimal signal distortion
- Long-excursion woofers with butyl-rubber half-round surrounds and extended pole-piece magnetic structures for maximum bass impact and dynamic range
- Low-diffraction, swivel-tweeter mounting system for optimum stereo imaging
- Heavy-duty push-type input terminals for long-term connection integrity
- Integrated dog-ear mounting brackets (optional rough-in kits available for pre-construction installation in new homes)
- Acoustically-transparent paintable baffles and grilles



TOP VIEW



FRONT VIEW



SIDE VIEW

Cat. No. AEI55

SPECIFICATION SUBMITTAL

JOB NAME: <input type="text"/>	CATALOG NUMBERS: <input type="text"/>	
JOB NUMBER: <input type="text"/>	<input type="text"/>	<input type="text"/>

Leviton Manufacturing Co., Inc.
 201 North Service Road, Melville, NY 11747
 Telephone: 1-800-323-8920 · FAX: 1-800-832-9538 · Tech Line (8:30AM-7:30PM E.S.T. Monday-Friday): 1-800-824-3005

Leviton Manufacturing of Canada, Ltd.
 165 Hymus Boulevard, Pointe Claire, Quebec H9R 1E9 · Telephone: 1-800-469-7890 ·
 FAX: 1-800-824-3005 · www.leviton.com/canada

Leviton S. de R.L. de C.V.
 Lago Tana 43, Mexico DF, Mexico CP 11290 · Tel.: (+52)55-5082-1040 · FAX: (+52)5386-1797 · www.leviton.com.mx

Visit our Website at: www.leviton.com
 © 2012 Leviton Manufacturing Co., Inc. All rights reserved. Subject to change without notice.



Leviton has a global presence.
 If you would like to know where your local Leviton office is located please go to: www.leviton.com/international/contacts/

