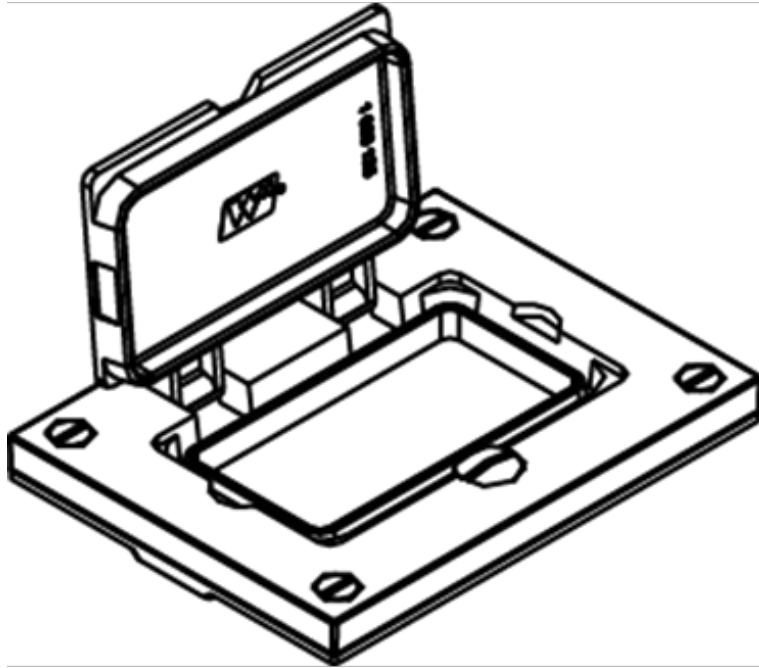


Wiremold

828PRGFI

Nonmetallic GFI Cover Plate - 828PRGFI



Flip lids. Accepts Ortronics MAB6TJ TracJack, MAB3S2 Series II and Wiremold CM Series Open System adapters, in conjunction with 817, 827 and 837PCC Series flanges. NOTE: Polycarbonate cover plates can only be used with polycarbonate flanges.

FEATURES

Specifications

DIMENSION INFO

Diameter U S:

828PRGFI-BLK - Black
828PRGFI-BRN - Brown

GENERAL INFO

Color:

Available in these colors:

828PRGFI-BLK - Black
828PRGFI-BRN - Brown