

SCV-2120

1/4" High Resolution 12x Vandal-Resistant Dome Camera



Key Features

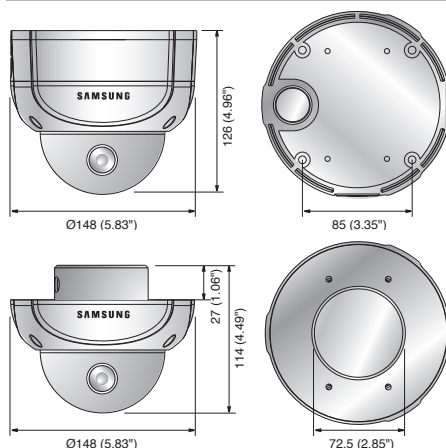
- High resolution of 600TV lines (Color), 700TV lines (B/W)
- Min. illumination 0.2Lux@F1.67 (Color), 0.02Lux (B/W)
- Powerful 12x zoom (3.94 ~ 46.05mm), digital 16x
- MD, SSNR III
- IP66, Coaxial control (Pelco-C), RS-485
- Dual power, 24V AC & 12V DC

Accessories (Optional)



Dimensions

Unit : mm (inch)



Flush Type

Technical Specifications

| | SCV-2120N | SCV-2120P |
|----------------------------------|---|---|
| VIDEO | | |
| Imaging Device | 1/4" Super HAD CCD | |
| Total Pixels | 811(H) x 508(V) | 795(H) x 596(V) |
| Effective Pixels | 768(H) x 494(V) | 752(H) x 582(V) |
| Scanning System | 2 : 1 Interlace | |
| Synchronization | Internal / Line lock | |
| Frequency | H : 15.734KHz / V : 59.94Hz | H : 15.625KHz / V : 50Hz |
| Horizontal Resolution | Color : 600TV lines, B/W : 700TV lines | |
| Min. Illumination | Color : 0.2Lux@F1.67 (50IRE), 0.0004Lux (Sens-up, 512x) B/W : 0.02Lux@F1.67 (50IRE), 0.0004Lux (Sens-up, 512x) | |
| S / N Ratio | 52dB (AGC off, Weight on) | |
| Video Output | CVBS : 1.0 Vp-p / 75Ω composite | |
| LENS | | |
| Focal Length (Zoom Ratio) | 3.94 ~ 46.05mm (Optical 12x) | |
| Max. Aperture Ratio | 1 : 1.67(Wide) ~ 3.7(Tele) | |
| Angular Field of View | H : 51.54°(Wide) ~ 4.5°(Tele) / V : 39.24°(Wide) ~ 3.38°(Tele) | |
| Min. Object Distance | 1.8m (5.91ft) | |
| Focus Control | Auto / Manual / One shot | |
| Zoom Movement Speed | 1.9sec (Wide to tele) | |
| PAN / TILT | | |
| Pan Range | 0° ~ 340° | |
| Tilt Range | 0° ~ 146° | |
| Rotate Range | 0° ~ 340° | |
| OPERATIONAL | | |
| On Screen Display | English, Japanese, Spanish, French, Portuguese, Taiwanese, Korean | English, French, German, Spanish, Italian, Chinese, Russian, Polish, Czech, Romanian, Serbian, Swedish, Danish, Turkish, Portuguese |
| Camera Title | Off / On (Displayed 15 characters) | |
| Day & Night | Auto / Color / B/W | |
| Backlight Compensation | BLC / HLC / Off | |
| Contrast Enhancement | SSDR (Off / On) | |
| Digital Noise Reduction | SSNR III (Off / On) | |
| Digital Image Stabilization | Off / On | |
| Motion Detection | Off / On (8 programmable zones) | |
| Privacy Masking | Off / On (12 programmable zones) | |
| Sens-up (Frame Integration) | 2x ~ 512x | |
| Gain Control | Off / On | |
| White Balance | ATW / Outdoor / Indoor / Manual / AWC (1,700K ~ 11,000K°) | |
| Electronic Shutter Speed | 1/60 ~ 1/120,000sec | 1/50 ~ 1/120,000sec |
| Digital Zoom | Off / On (1x ~ 16x) | |
| Flip | Vertical / Horizontal | |
| Communication | Coaxial control, RS-485 | |
| Protocol | Coax : Pelco-C (Coaxitron) RS-485 : Samsung-T/E, Pelco-D/P, Vicon, Honeywell, Panasonic, Bosch, AD | |
| ENVIRONMENTAL | | |
| Operating Temperature / Humidity | -10°C ~ +50°C (+14°F ~ +122°F) / Up to 100% RH | |
| Ingress Protection | IP66 | |
| ELECTRICAL | | |
| Input Voltage | Dual (24V AC & 12V DC ±10%) | |
| Power Consumption | Max. 3.5W | |
| MECHANICAL | | |
| Color / Material | Ivory / Aluminum | |
| Dome Cover | Polycarbonate / Clear | |
| Dimensions (WxH) | Ø148.0 x 126.0mm (Ø5.83" x 4.96") | |
| Weight | 1.38Kg (3.04 lb) | |