

# LevNet RF Self-Powered Wireless Light Sensor

Self-Powered RF Wireless Light Sensor for use with LevNet RF Receivers



## BASIC OPERATION

The Wireless Light Sensors (WSCPC) have built-in solar cells that draw on available ambient light to power themselves and can operate for up to 48 hours in total darkness. Batteries are not required for continuous operation.

The LevNet RF Light Sensor is designed to operate in closed loop applications for light levels from 0 to 94.8 footcandles (0 to 1020 LUX). This is a revolutionary product for daylight harvesting applications to meet energy saving initiatives. Optimally place the sensor in the desired lighted space, pair it with a LevNet RF receiver for load control and your installation is complete.

The self-powered wireless light sensor design also overcomes the placement and coverage challenges of traditional light sensors. They may be mounted wherever needed without moving or installing new wiring or conduit.

## FEATURES

- **Daylight Harvesting:** light sensor has both switched and dimmed capabilities, both are dependent on the application and Receivers used
- **Zero Power Consumption:** when enough natural light is available, solar power provides the energy to keep the device ON while sensor technology turns the lights OFF, eliminating additional expenses to the end user's energy bill
- **Zero External Power Required:** with no wiring limitations, this enables the installer to place the sensor in the optimal location of any application to capture optimal daylight readings
- **Self-Powered, Self-Charging:** angled solar cells are optimal for light collection enabling the sensor to capture maximum ambient light over flat solar cells
- **Quick Charge Time to Operation:** self-powered technology enables the sensor to be operational after a minimum charge time of 1 minute
- **True Wireless:** sensors are self-powered and communicate with all LevNet RF and EnOcean Receivers via radio frequency
- **No Additional Materials:** self-powered wireless technology eliminates the need to pull additional wire and conduit making installation quick and easy, while diminishing labor costs
- **No Batteries or External Power Required:** exclusive "battery-less" technology significantly reduces callbacks and maintenance for additional savings
- **Up to 48 Hours of Stored Power:** solar panel provides power for the device to maintain a sufficient charge to operate for long periods of time without light
- **Unlimited Energy Savings:** wireless technology supports daylight harvesting and manual override options with no additional wiring

## APPLICATIONS

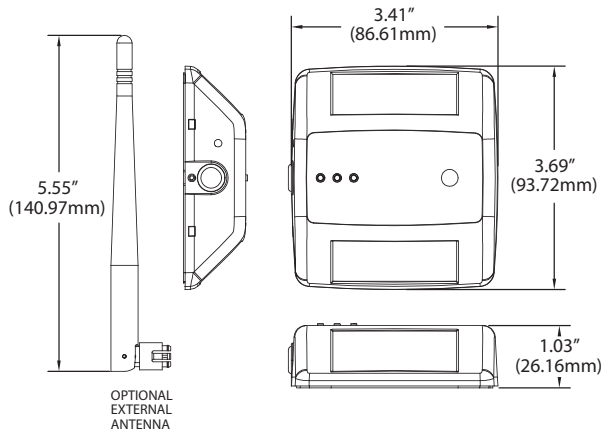
- Retrofits
- Restrooms
- Classrooms
- Executive offices
- Daylight Harvesting
- Perimeter Zones
- New construction
- Conference rooms
- Private offices
- Daycare facilities
- Lighted Hallways

LevNet RF Light Sensor

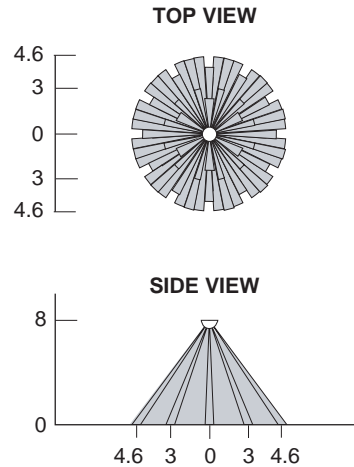
# PRODUCT DATA



## DIMENSIONS



## FIELD-OF-VIEW (in feet)



## SPECIFICATIONS

ENVIRONMENTAL	
Frequency	315MHz
Range	50-150 feet
Photocell	0-94.8FC (0-1020 LUX)
Transmission Interval	Upon > 20FC (200LUX) changes
Minimum Light Required	4FC (40 LUX)
Solar Cell Operating Range	4-100FC (40-1000 LUX)
Minimum Charge Time to Begin Operation	1 minute @ 20FC (200 LUX)
Full Charge Time	~8 hours @ 100FC (1000 LUX)
Maintain Charge Time	3 hours per 24 hours @ 20FC (200 LUX)
Operating Life at Full Charge	48 hours
Optional Battery Life	10 years
Operating Temperature Range	32°F to 104°F (0°C to 40°C)
Storage Temperature Range	-4°F to 158°F (-20°C to 70°C)
Relative Humidity	0% to 95%, non-condensing
Usage	Indoors only
Mounting Height	8-12 feet

OTHER	
Listings	Title 24 Compliant, FCC Certified for Wireless Communication
Warranty	Limited 5-year

## ORDERING INFORMATION

CAT. NO.*	DESCRIPTION
WSCPC-ooW	LevNet RF Self Powered Light Sensor, 0-95 FC

\*Made in USA, ARRA and Buy American Compliant.

Contact Leviton for a complete list of LevNet RF Self-Powered Wireless Solutions. The line includes Wall Switch Wire In Receivers, Transmitter Switches, Thermostats, Room Controllers and more.



## LEVITON SPECIFICATION SUBMITTAL

JOB NAME:	CATALOG NUMBERS:
JOB NUMBER:	

### Leviton Manufacturing Co., Inc.

201 N. Service Rd. Melville, NY 11747-3138 Tech Line: 1-800-824-3005 Fax: 1-800-832-9538 www.leviton.com/lms

### Leviton Manufacturing of Canada, Ltd.

165 Hymus Boulevard, Pointe Claire, Quebec H9R 1E9 • Telephone: 1-800-469-7890 • FAX: 1-800-563-1853

### Leviton S. de R.L. de C.V.

Lago Tana 43, Mexico DF, Mexico CP 11290 • Tel. (+52) 55-5082-1040 • FAX: (+52) 5386-1797 • www.leviton.com.mx

### Visit our Website at: [www.leviton.com/lms](http://www.leviton.com/lms)

© 2010 Leviton Manufacturing Co., Inc. All rights reserved. Subject to change without notice.

G-8428/G10-ak