

3x1 Premium CATV Module

APPLICATION

Leviton's 3x1 Premium CATV module is designed to combine modulated signals from cameras, DVD player, etc., with incoming cable or antenna service onto one coaxial cable. It is used with the Leviton Premium 1x1, 1x8 and 1x16 CATV modules for distribution to multiple outputs.

FEATURES

- Digital CATV and HDTV compatible
- High quality, professional-grade
- Combines modulated signals from cameras, DVD Player, etc., for home or office
- Provides bi-directional signal path to support cable modem or cable box communications
- Installs easily into Leviton's Structured Media™ enclosures in a horizontal or vertical direction
- Module tilts for greater ease of installation
- Robust machine-threaded, gold-plated brass ports meet SCTE requirements
- F-ports provide up to 15 psi weather sealing
- The 360-degree seizing insert retains center conductor up to pullout tension of 200 grams on .032" diameter coax center conductors
- Termination caps included
- Durable aluminum die-cast housing with white powder coating

TYPICAL SPECIFICATION

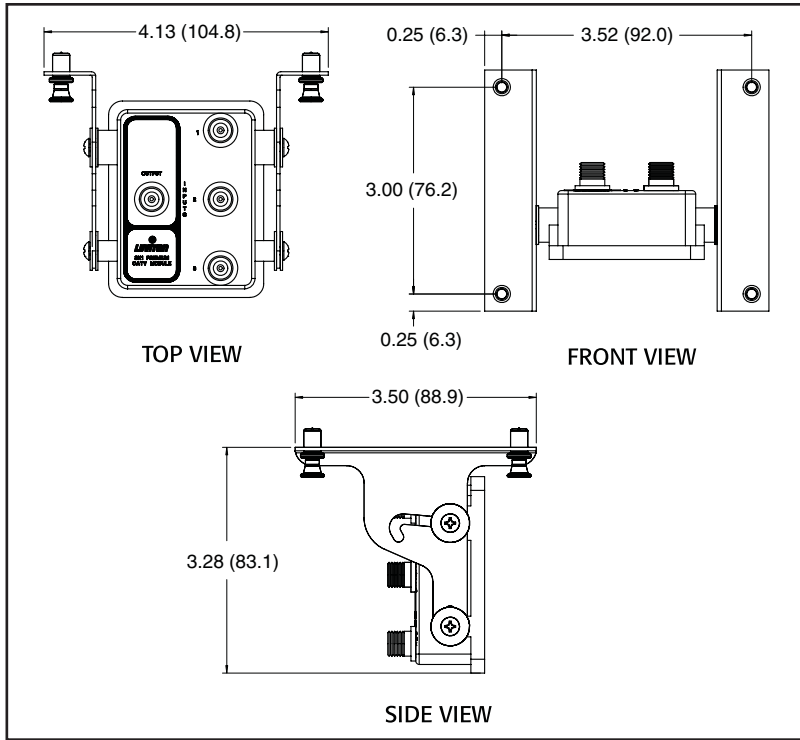
The 3x1 Premium CATV module shall combine modulated signals from cameras, DVD player, etc., with incoming cable or antenna service onto one coaxial cable. It is used with the Leviton Premium 1x1, 1x8 and 1x16 CATV modules for distribution to multiple outputs. The module shall support bi-directional signal paths for cable modem or cable box communications. It shall also come in a tilt-able module design, with a 75 Ohm impedance and F-type connectors. The manufacturer shall provide a two-year limited product warranty.



PHYSICAL SPECIFICATIONS

Dimensions	3.50" H x 3.50" W x 3.33" D
Impedance	75 Ohm
Connector Type	Gold-plated F-type
Frequency	52-1000 MHz forward path 0-45MHz reverse path

DIMENSIONAL DRAWINGS



ELECTRONIC SPECIFICATIONS

Insertion Loss (Max)	
5-15 MHz	5.3 dB
16-40 MHz	5.3 dB
41-550 MHz	5.6 dB
551-1000 MHz	6.1 dB
Input to Input	
Insertion Loss (Min)	
5-15 MHz	27 dB
16-40 MHz	38 dB
41-550 MHz	25 dB
551-1000 MHz	24 dB
Output	
Return Loss (Min)	
5-15 MHz	24 dB
16-40 MHz	32 dB
41-550 MHz	22 dB
551-1000 MHz	22 dB
Input Return Loss (Min)	
5-15 MHz	25 dB
16-40 MHz	28 dB
41-550 MHz	24 dB
551-1000 MHz	23 dB

ORDERING INFORMATION

CAT. NO.	DESCRIPTION
47693-31P	3X1 Premium CATV Module

Leviton Manufacturing Co., Inc.

59-25 Little Neck Parkway, Little Neck, NY 11362-2591

Telephone: 1-800-323-8920 • FAX: 1-800-832-9538 • Tech Line (8:30AM-7:30PM E.S.T. Monday-Friday): 1-800-824-3005

Leviton Manufacturing of Canada, Ltd.

165 Hymus Boulevard, Pointe Claire, Quebec H9R 1E9 • Telephone: 1-800-469-7890 • FAX: 1-800-563-1853

Leviton S. de R.L. de C.V.

Lago Tana 43, Mexico DF, Mexico CP 11290 • Tel. (+52) 55-5082-1040 • FAX: (+52) 5386-1797 • www.leviton.com.mx

Visit our Website at: www.leviton.com

© 2007 Leviton Manufacturing Co., Inc. All rights reserved. Subject to change without notice.

