

X7599

Ground Fault Circuit Interrupter (GFCI)

Brand Features

Slim is in. New SmartlockPro Slim GFCIs Install Easily Industry-leading quality, professional grade lockout action, and the slimmest profile on the market make SmartlockPro Slim GFCIs the smartest choice in ground fault circuit interrupter protection. Faster and easier to install in any wallbox because depth is reduced, the slim GFCIs flush mount to the wall with minimal protrusion for a sleek, finished look. Enhanced features include external back wiring for positive indication the wire is properly seated, exceptional resistance to wire pullout and the ability to withstand high torque. Tamper-Resistant to meet 2008 NEC Requirements for new or renovated residential construction.

Item Description

15 Amp, 125 Volt Receptacle, 20 Amp Feed-Through, Tamper-Resistant, SmartlockPro Slim GFCI, Monochromatic, back and side wired, nylon wallplate, screws and self grounding clip included - Brown



UPC Code: 07847751358

Country of Origin: China

NEMA: 5-15R



Technical Information

AC Horsepower Ratings

At Rated Voltage: 1 HP

Electrical Specifications

Dielectric Voltage: Withstands 2000V per UL498

Short Circuit Current Rating: 10KA

Temperature Rise: Max 30C after 100 cycles OL at 150 percent rated current

Environmental Specifications

Flammability: Rated V-2 per UL94

Operating Temperature: -35C to +66C

Material Specifications

Face Material: Thermoplastic

Body Material: Polycarbonate

Line Contacts: Brass Double-Wipe .031 Thick

Terminal Screws: Plated Steel

Grounding Screw: Plated Steel

Yoke: Zinc-Plated Steel

Clamps: Brass

Notes: w/ Wallplate

Mechanical Specifications

Terminal ID: Brass-Hot, Green-Ground, Silver-Neutral

Terminal Accom.: 14-10 AWG

Product ID: Ratings are permanently marked on device

Product Features

Feature: Tamper-Resistant

Amperage: 15 Amp

Voltage: 125 Volt

NEMA: 5-15R

Standards and Certifications

NEMA: WD-6

ANSI: C-73

UL498: File E13399

CSA C22.2 No. 42: File LR-57811

NOM: 057

UL 943: File E48380

UL Fed Spec WC-596: Yes

Pole: 2

Wire: 3

Trip Level: Class A, 5mA plus or minus
1mA

Termination: Back & Side

Face Material: Thermoplastic

Body Material: Polycarbonate

Grounding: Self-Grounding

Color: Brown

Strap Material: Galvanized Steel

Standards and Certifications: UL/CSA

UL Fed Spec WC-596: Yes

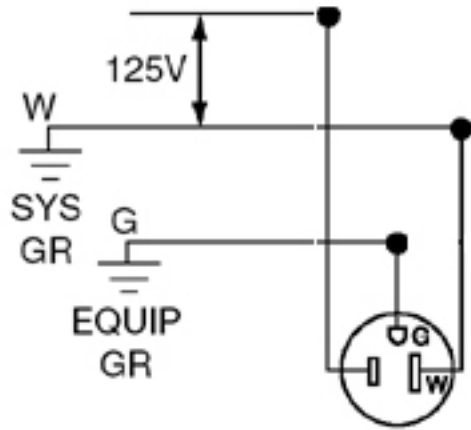
Warranty: 2-Year Limited

Notes: w/ Wallplate

Features and Benefits

- Reduced depth of SmartlockPro® Slim GFCI makes it easier to install in any electrical box, even shallow ones.
- Terminals allow for easy wiring options – back and side wire capable.
- External back wire clamps provide visual indication of proper wire seating.
- Withstands high torque and resists wire pullout.
- Standard brass self-grounding clip.
- Automatically test the GFCI every time the RESET button is pushed in. The GFCI will not reset if the GFCI circuit is not functioning properly.
- By blocking reset of the GFCI if protection has been compromised, SmartlockPro® Slim GFCI reduces the possibility of end-users incorrectly assuming that a reset GFCI outlet is providing ground fault protection when it actually is not.
- A line-load reversal diagnostic feature is provided which prevents the GFCI from being reset and stops power from being fed to the GFCI receptacle face or through to downstream devices. A green LED indicator on the GFCI's face also illuminates to alert the installer to the line-load wiring reversal.
- Trip threshold meets or exceeds UL requirements for tripping time.
- Improved immunity to high-frequency noise reduces nuisance tripping.
- Advanced electronics design provides superior resistance to electrical surges and over-voltages.
- Compatible with all Decora devices and wallplates; available in select Decora colors.
- UL Fed Spec WC-596 rated.

Wiring Diagram



5-15R

SPECIFICATION SUBMITTAL

JOB NAME: <input type="text"/>	CATALOG NUMBERS: <input type="text"/>	<input type="text"/>
JOB NUMBER: <input type="text"/>	<input type="text"/>	<input type="text"/>

Leviton Manufacturing Co., Inc.

201 North Service Road, Melville, NY 11747

Telephone: 1-800-323-8920 · FAX: 1-800-832-9538 · Tech Line (8:30AM-7:30PM E.S.T. Monday-Friday): 1-800-824-3005

Leviton Manufacturing of Canada, Ltd.

165 Hymus Boulevard, Pointe Claire, Quebec H9R 1E9 · Telephone: 1-800-469-7890 ·

FAX: 1-800-824-3005 · www.leviton.com/canada

Leviton S. de R.L. de C.V.

Lago Tana 43, Mexico DF, Mexico CP 11290 · Tel.: (+52)55-5082-1040 · FAX: (+52)5386-1797 · www.leviton.com.mx

Visit our Website at: www.leviton.com

© 2012 Leviton Manufacturing Co., Inc. All rights reserved. Subject to change without notice.

Leviton has a global presence.

If you would like to know where your local Leviton office is located please go to: www.leviton.com/international/contacts/

