

5248-WCP

Straight Blade Wiring Devices

Brand Features

Leviton's comprehensive Residential Grade Receptacles portfolio includes devices rated for all residential applications in a variety of standard configurations. They are produced in an array of colors in both Decora and traditional styles. All duplex receptacles are designed with thermoplastic construction and feature a shallow build for maximum wiring room. Each duplex is also equipped with break-off plaster ears and tabs to allow for easy alignment and two-circuit conversion.

Item Description

15 Amp, 125 Volt, NEMA 5-15R, 2P, 3W, With Ears Duplex Receptacle, Straight Blade, Residential Grade, Grounding, Contractor Pack, 8-Hole Quickwire Push-In Wired, Steel Strap, - White

Technical Information

Product Features

Grounding: Grounding

Feature: Contractor Pack

Amperage: 15 Amp

Voltage: 125 Volt

NEMA: 5-15R

Pole: 2

Wire: 3

Termination: 8-Hole Quickwire Push-In

Face Material: Thermoplastic

Body Material: Thermoplastic

Strap Material: Steel

Color: White

Standards and Certifications: UL/CSA

Warranty: 2 Year Limited



Color:  White

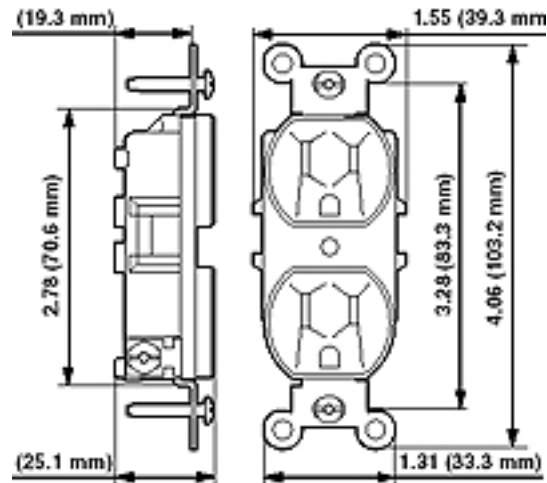
UPC Code: 07847714021

Country of Origin: United States - **Eligible for ARRA funded projects*

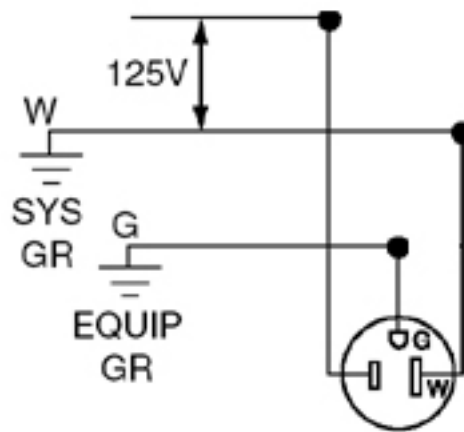
NEMA: 5-15R



Dimensional Diagram



Wiring Diagram



5-15R

SPECIFICATION SUBMITTAL

JOB NAME: <input style="width: 95%;" type="text"/>	CATALOG NUMBERS: <input style="width: 95%;" type="text"/>	
JOB NUMBER: <input style="width: 80%;" type="text"/>	<input style="width: 95%;" type="text"/>	<input style="width: 95%;" type="text"/>

Leviton Manufacturing Co., Inc.

201 North Service Road, Melville, NY 11747

Telephone: 1-800-323-8920 · FAX: 1-800-832-9538 · Tech Line (8:30AM-7:30PM E.S.T. Monday-Friday): 1-800-824-3005

Leviton Manufacturing of Canada, Ltd.

165 Hymus Boulevard, Pointe Claire, Quebec H9R 1E9 · Telephone: 1-800-469-7890 ·

FAX: 1-800-824-3005 · www.leviton.com/canada

Leviton S. de R.L. de C.V.

Lago Tana 43, Mexico DF, Mexico CP 11290 · Tel.: (+52)55-5082-1040 · FAX: (+52)5386-1797 · www.leviton.com.mx

Visit our Website at: www.leviton.com

© 2012 Leviton Manufacturing Co., Inc. All rights reserved. Subject to change without notice.



Leviton has a global presence.

If you would like to know where your local Leviton office is located please go to: www.leviton.com/international/contacts/

**Buy American Compliant Logo -- The American Recovery And Reinvestment Act of 2009 ("ARRA") provides federal grants and loans for projects throughout the country. Section 1605 of the Act, named the "Buy American" provision, requires that certain materials and manufactured products used in projects funded by the Act be manufactured in the United States. The appearance of the Recovery Act Logo in relation to a Leviton product is only intended to reflect that such product may be used in an ARRA funded project. It does not mean that such product or Leviton is sponsored or endorsed by, or that Leviton receives funds from, the federal government or the Recovery Accountability and Transparency Board. Nothing in Leviton's use of the logo is intended to suggest anything regarding the requirements for funding under ARRA.*