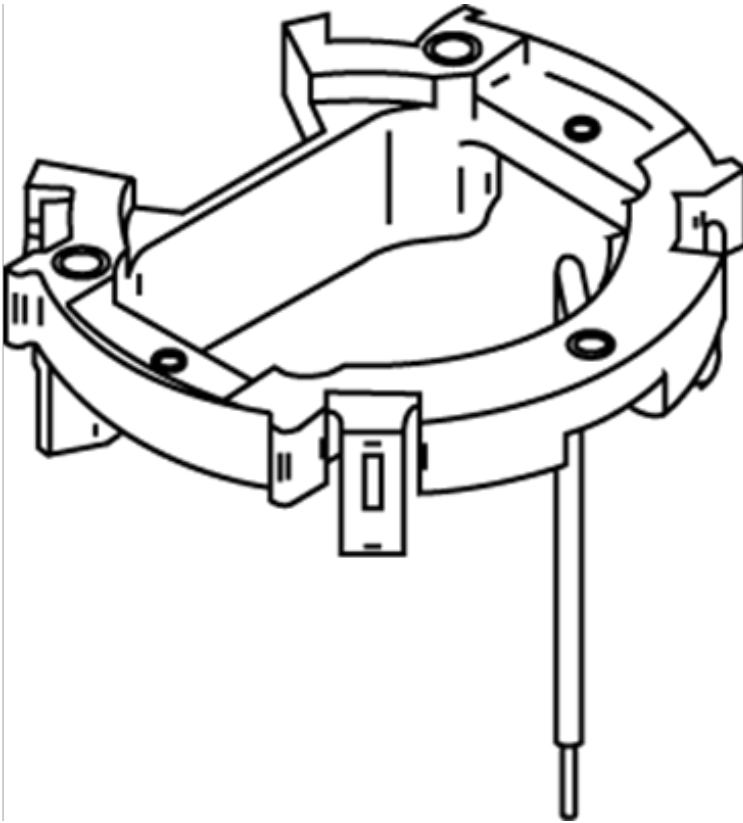


Wiremold

881-ADP

## Ratchet-Pro 881 Series Ratchet Adjusting Ring - 881-ADP



Used to attach wiring devices and cover plates to PVC box. Locks into place without using glue or mechanical fasteners. Compensates for up to 10° of tilt if box is not level. Ground wire is factory attached to the adjusting ring. One ring required per box, single- or dual-service, ordered separately.

### FEATURES