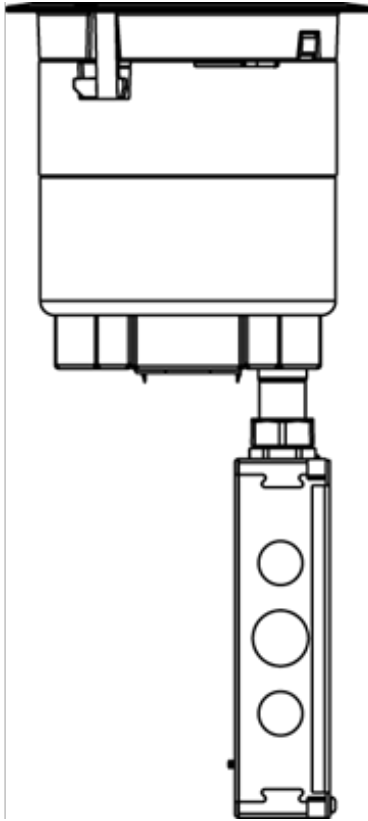


Evolution 6ATCP Series Recessed Prewired Assembly with Surface Style Cover - 6ATCP



For carpet, tile, wood and laminate concrete floor coverings. For use in 6" [152mm] diameter opening. Devices are recessed 3 1/4" [83mm] below floor surface. Die-cast aluminum cover assembly is available in the following powder coated finishes: (BK) black, (GY) gray, (NK) nickel, (BS) brass, and (BZ) bronze. INCLUDED: For Side Compartments: Two (2) proprietary 20A Duplex Receptacles installed. For Center Compartment: One (1) 6ACT8A Mounting Plate, One (1) 6TRAC Mounting Plate, One (1) 6SER Mounting Plate. For Bottom Feed Compartment: One (1) 5BLH 1/2-Gang Blank Housing (Tunneling extends from the 5BLH to 575CHA so that power cables from the 20A duplex receptacle mounted on the left side of the poke-thru device are run into the junction box attached to the 575CHA.), One (1) 1PTH 1-Gang Pass-Through Housing Assembly, One (1) 575CHA 1/2-Gang 3/4" Conduit Housing Assembly (also includes junction box attached to the 3/4" conduit). NOTE: UL Fire Classified for up to 2-hour rated floors. Receptacles can be wired as a standard or isolated ground device.



FEATURES

Available in these colors:

6ATCPGY - Gray
6ATCPBK - Black
6ATCPBS - Brass
6ATCPBZ - Bronze
6ATCPNK - Nickel

Specifications

GENERAL INFO

Color:

Wiremold

6ATCP

6ATCPGY - Gray
6ATCPBK - Black
6ATCPBS - Brass
6ATCPBZ - Bronze
6ATCPNK - Nickel

BUY AMERICAN ACT COMPLIANCE

Country of Origin: UNITED STATES OF AMERICA

Buy American Act Status: Buy American Act Compliant