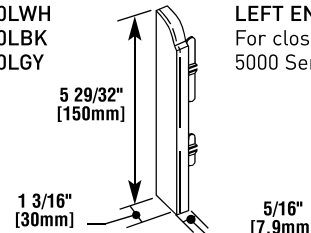
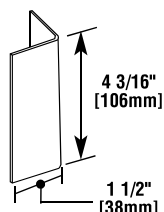
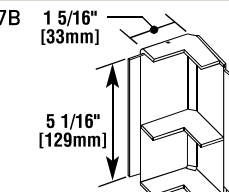
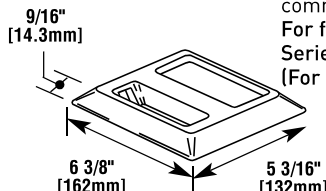
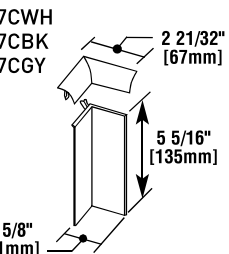
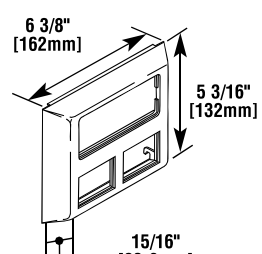
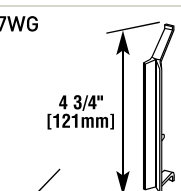
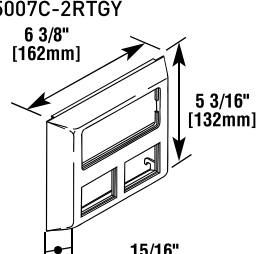
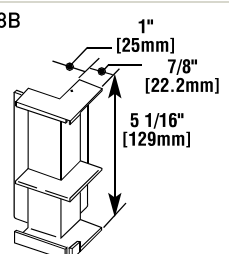
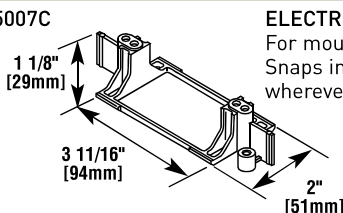


Access 5000 Series Raceway Ordering Information (continued)

PART NO.	DESCRIPTION	PART NO.	DESCRIPTION
5010LWH 5010LBK 5010LGY	LEFT END CAP – For closing left end of Access 5000 Series Raceway Base.	5018WG	EXTERNAL ELBOW WIRE GUARD – Installs at a mitered external elbow joint behind the covers to protect sharp objects from being inserted. Not needed when the external cover elbow is used.
			
5017B	INTERNAL ELBOW BASE – For mounting base at 90° internal corners.	5007C-1AWH 5007C-1ABK 5007C-1AGY	DEVICE PLATE – External device cover; for mounting one standard device and up to two communication connections. For faceplate options, see 5507 Series™ Faceplates. (For power side only.)
			
5017CWH 5017CBK 5017CGY	INTERNAL ELBOW COVER – For mounting cover and trim cover at 90° internal corners.	5007C-2ABWH 5007C-2ABBK 5007C-2ABGY	DEEP DEVICE PLATE – For mounting deeper devices such as TVSS receptacles, GFCI devices, and Pass & Seymour® Activate inserts. Accepts 5507 Series™ Faceplates, 2A size Activate inserts, and Open System communication modules. Bezels included. For faceplate options, see 5507 Series™ Faceplates.
			
5017WG	INTERNAL ELBOW WIRE GUARD – Protects wiring at mitered internal cover; snaps into 5017B Base Elbow. Not needed when 5017C Internal Cover Elbow is used.	5007C-2RTWH 5007C-2RTBK 5007C-2RTGY	DEEP DEVICE PLATE – For mounting deeper devices such as TVSS receptacles, GFCI devices, and Pass & Seymour® Activate inserts. Accepts 5507 Series™ Faceplates, Ortronics® TracJack, and Series II Inserts. Bezels included. For faceplate options, see 5507 Series™ Faceplates.
			
5018B	EXTERNAL BASE ELBOW – For mounting base at 90° external corners.	5007C	ELECTRICAL DEVICE BRACKET – For mounting standard devices. Snaps into top section of base wherever an outlet is needed.
			
5018CWH 5018CBK 5018CGY	EXTERNAL COVER ELBOW – For mounting cover and trim cover at 90° external corners.		
