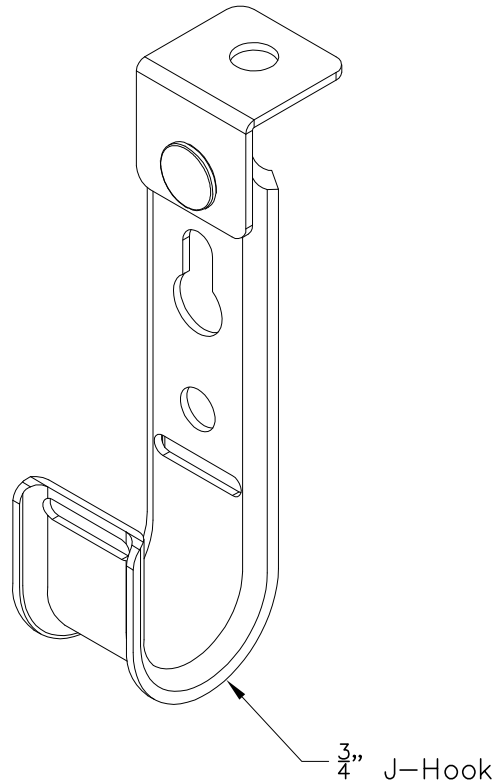


3/4" J-Hook w/90° Bracket 25 Pk

PRODUCT SPECIFICATION

Package includes:

A. J-Hook, 25 pcs



Features and Benefits:

- Designed from high quality galvanized steel for strength and durability
- Swivel angle bracket allows for J-Hook to be ceiling mounted and pivot from 0° to 180°
- Accommodates CAT 5e, CAT 6, CAT 6a, coax, fiber, and conduit.
- Rust resistant zinc finish
- Complies with EIA/TIA requirements for structured cabling systems
- Cost effective alternative to expensive cable tray or ladder runway rack
- Smooth edges provides proper support, facilitate bend radius
- Cables can be pulled through quickly and easily
- Cable anchor points allows users to secure with cable ties



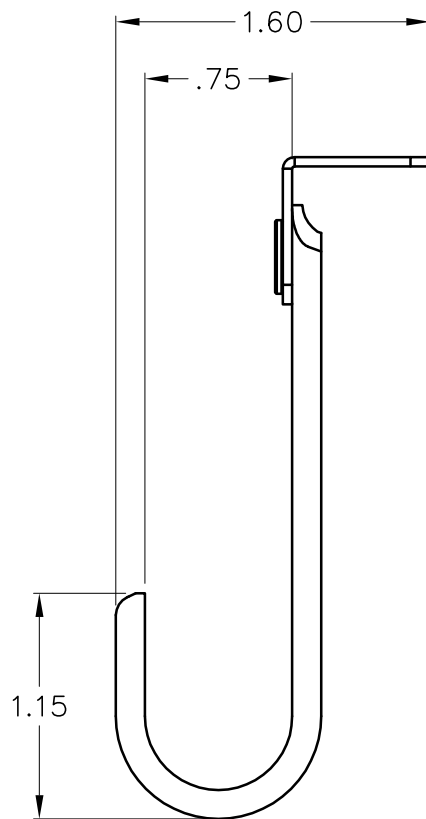
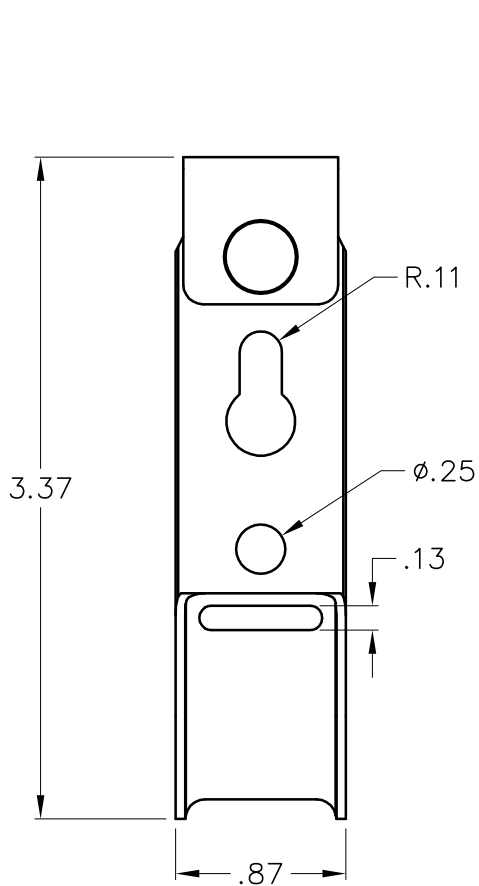
J-HOOK, 3/4", 90°, 25 PK

ITEM NO.	ICCMSJH922
DWG NO.	PSCMSJH922

REV.	A
PAGE NO.	1



CUSTOMER CARE / TECHNICAL SUPPORT * CSR@ICC.COM / 888-ASK-4-ICC (275-4422) * 14700 Alondra Blvd., La Mirada, CA 90638 * www.icc.com



NOTE: UNLESS OTHERWISE SPECIFIED

1. MATERIAL: 18GA GALVANIZED STEEL
2. FINISH: ZINC PLATED



Capacity Reference		
CABLE TYPE	CAT 5e	CAT 6
QTY	~16	~10

J-HOOK, 3/4", 90°, 25 PK

ITEM NO.	ICCMSJH922	REV.	A	
DWG NO.	PSCMSJH922	PAGE NO.	2	

CUSTOMER CARE / TECHNICAL SUPPORT * CSR@ICC.COM / 888-ASK-4-ICC (275-4422) * 14700 Alondra Blvd., La Mirada, CA 90638 * www.icc.com