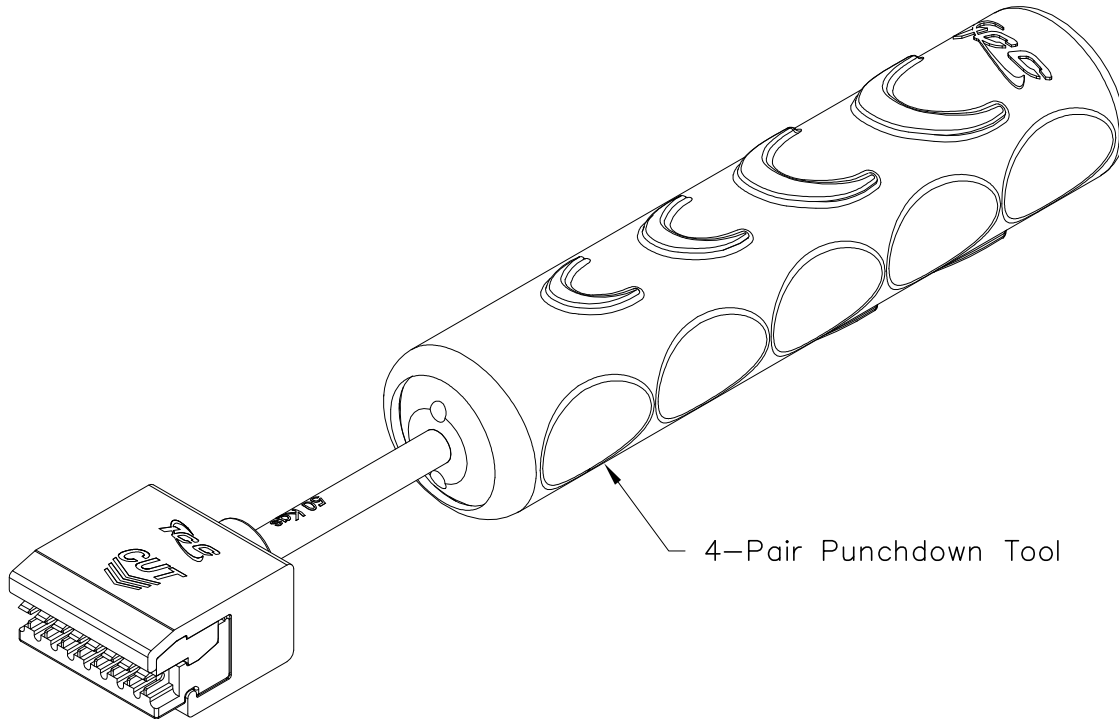


4-Pair Punchdown Tool

PRODUCT SPECIFICATION

Package includes:

A. 4-Pair Punchdown Tool, 1 pc



4-Pair Punchdown Tool

Features and Benefits:

- Designed to provide a maximum of 50 kgs impact in order to terminate 4-pairs of wires simultaneously making installations faster and easier
- Tip of the shaft engages the blade set eliminating the possibility of blade misalignment
- Ergonomic design allowing a comfortable fit throughout installations
- Anti-slip rubber with raised grip design preventing hand slippage during use
- Cushioned rubber handle helps absorb impact to the hand
- Can be used for seating and terminating wires
- Compatible with ICC's voice, CAT 5e, CAT 6 Patch Panels and CAT 5e 110 wiring blocks



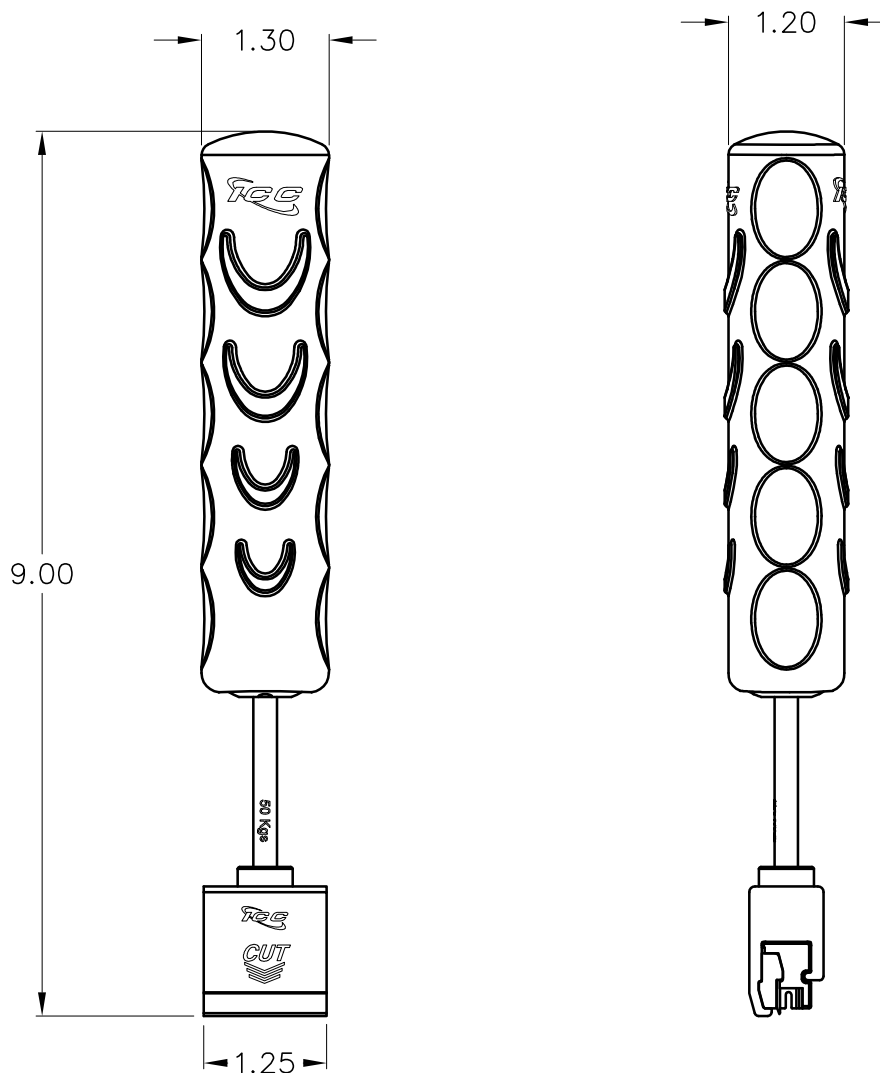
TOOL, 110 PUNCHDOWN, 4-PAIR

ITEM NO.	ICACSPDT4P
DWG NO.	PSACSPDT4P

REV.	A
PAGE NO.	1



CUSTOMER CARE / TECHNICAL SUPPORT * CSR@ICC.COM / 888-ASK-4-ICC (275-4422) * 14700 Alondra Blvd., La Mirada, CA 90638 * www.icc.com



NOTE: UNLESS OTHERWISE SPECIFIED

HANDLE

1. MATERIAL:

- A. BODY: ALUMINUM 6061-T6
- B. INTERNAL PART: S45C
- C. HANDLE: THERMOS PLASTIC RUBBER, BLUE
- D. FINISH: MATTED TEXTURE

2. MECHANICAL: IMPACT: 50 KGS (FOR 24~22 AWG WIRES)

TERMINATION HEAD

1. MATERIAL:

- A. HEAD: ALUMINUM 6061
- B. TERMINATOR: NYLON+FIBER
- C. CUTTER: SK-5

2. FINISH: MATTED TEXTURE

3. HARDNESS: BLADE: HRC 50~60°



TOOL, 110 PUNCHDOWN, 4-PAIR

ITEM NO. ICACSPDT4P
 DWG NO. PSACSPDT4P

REV. A
 PAGE NO. 2



CUSTOMER CARE / TECHNICAL SUPPORT * CSR@ICC.COM / 888-ASK-4-ICC (275-4422) * 14700 Alondra Blvd., La Mirada, CA 90638 * www.icc.com