

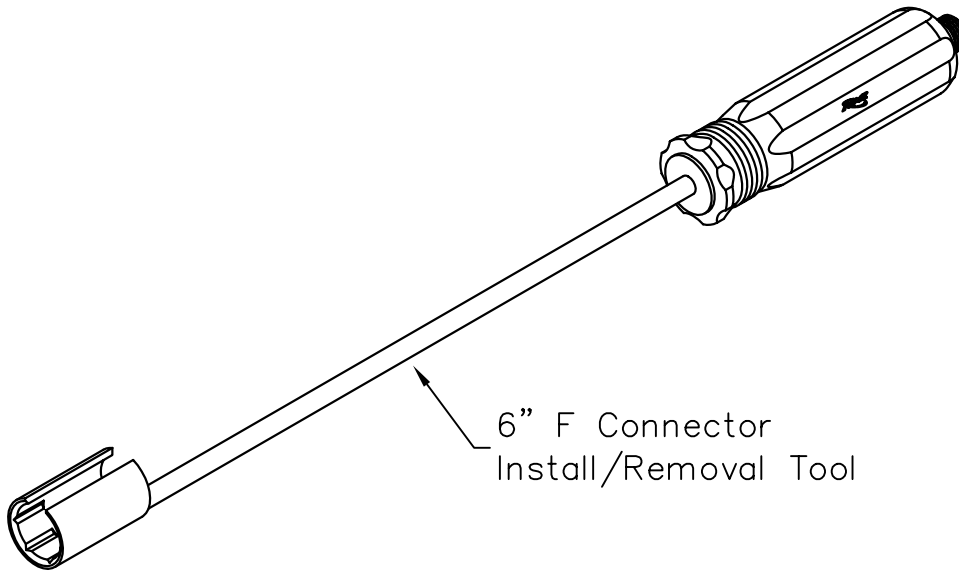
6" F Connector Install & Removal Tool

PRODUCT SPECIFICATION



Package includes:

A. 6" F Connector Install/Removal Tool, 1 pc

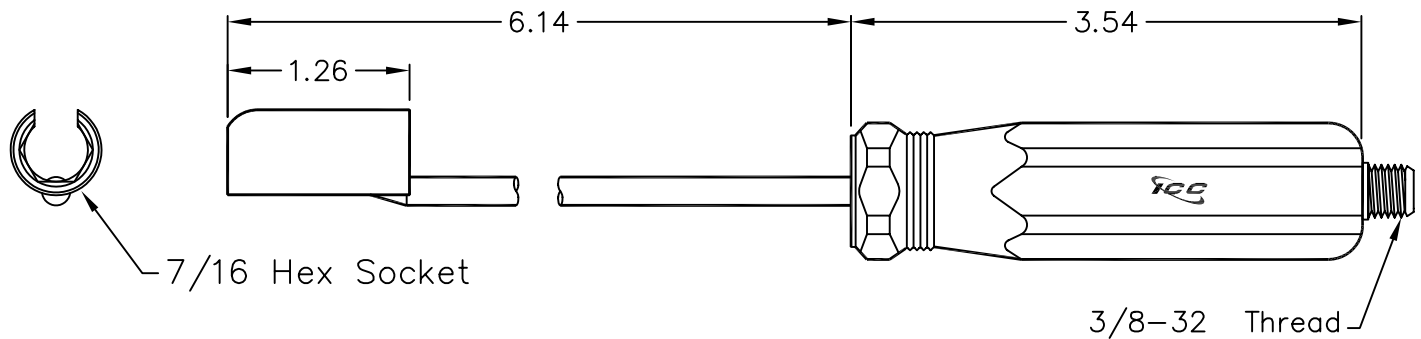
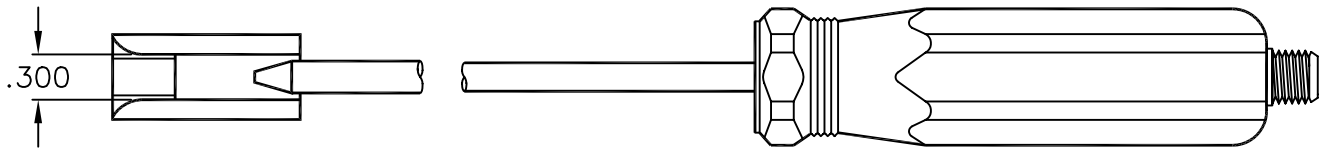


Features and Benefits:

- High quality carbon steel material that allows for durability and strength.
- Convenient for installing and removing F-Connectors from hard to reach locations.
- Comfortable handle ergonomically designed for ease of use.
- Threaded end provides stability during cable assembly.
- Compatible with ICC's ICRDSAV01F & ICRDSAV04F F-Connectors.

TOOL, F CONNECTOR INST/REMOVAL, 6"			
ITEM NO.	ICACSF06RT		REV. A
DWG NO.	PSACSF06RT		PAGE NO. 1


CUSTOMER CARE / TECHNICAL SUPPORT * CSR@ICC.COM / 888-ASK-4-ICC (275-4422) * 14700 Alondra Blvd., La Mirada, CA 90638 * www.icc.com



NOTE: UNLESS OTHERWISE SPECIFIED

- 1. MATERIAL:
 - A. BODY: MIDDLE CARBON STEEL (AISI 1010)
 - B. FINISH: CHROME PLATING
 - C. HANDLE: PVC
- 2. THREAD: 3/8-32
- 3. SOCKET: 7/16 HEX
- 4. COLOR:
 - A. HANDLE: AMBER/BLACK



TOOL, F CONNECTOR INST/REMOVAL, 6"		 PremiumProducts ProvenPerformance CompetitivePrices	
ITEM NO.	ICACSF06RT		REV. A
DWG NO.	PSACSF06RT		PAGE NO. 2

CUSTOMER CARE / TECHNICAL SUPPORT * CSR@ICC.COM / 888-ASK-4-ICC (275-4422) * 14700 Alondra Blvd., La Mirada, CA 90638 * www.icc.com