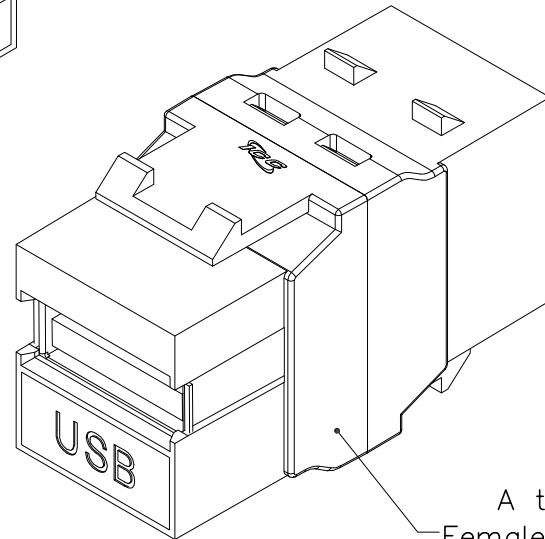
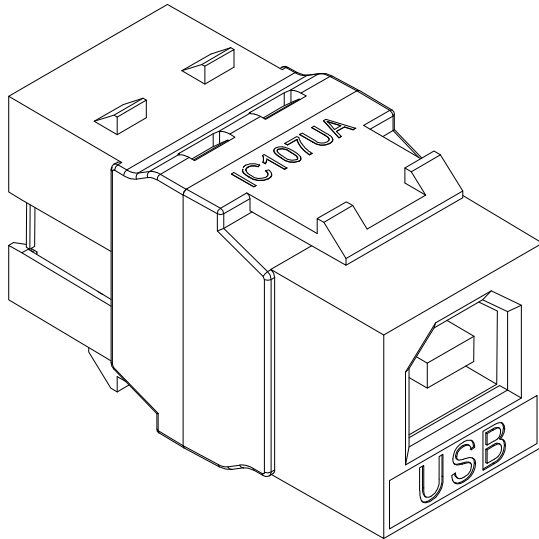


USB Type A-to-B Female Module

PRODUCT SPECIFICATION

Package includes:

A. USB Type A-to-B Female Module, 1 pc



A to B
Female/Female
USB Module

Features and Benefits:

- Hi-Speed USB (Universal Serial Bus) connectors are ideal for connecting a wide range of peripherals such as video, audio, infrared, and computer equipment in commercial and residential applications.
- USB 2.0 and backwards compatible to v1.1
- Data rate transmission of up to 480Mbps.
- Compatible with all of ICC's faceplates, and decorex inserts.
- Available in white.

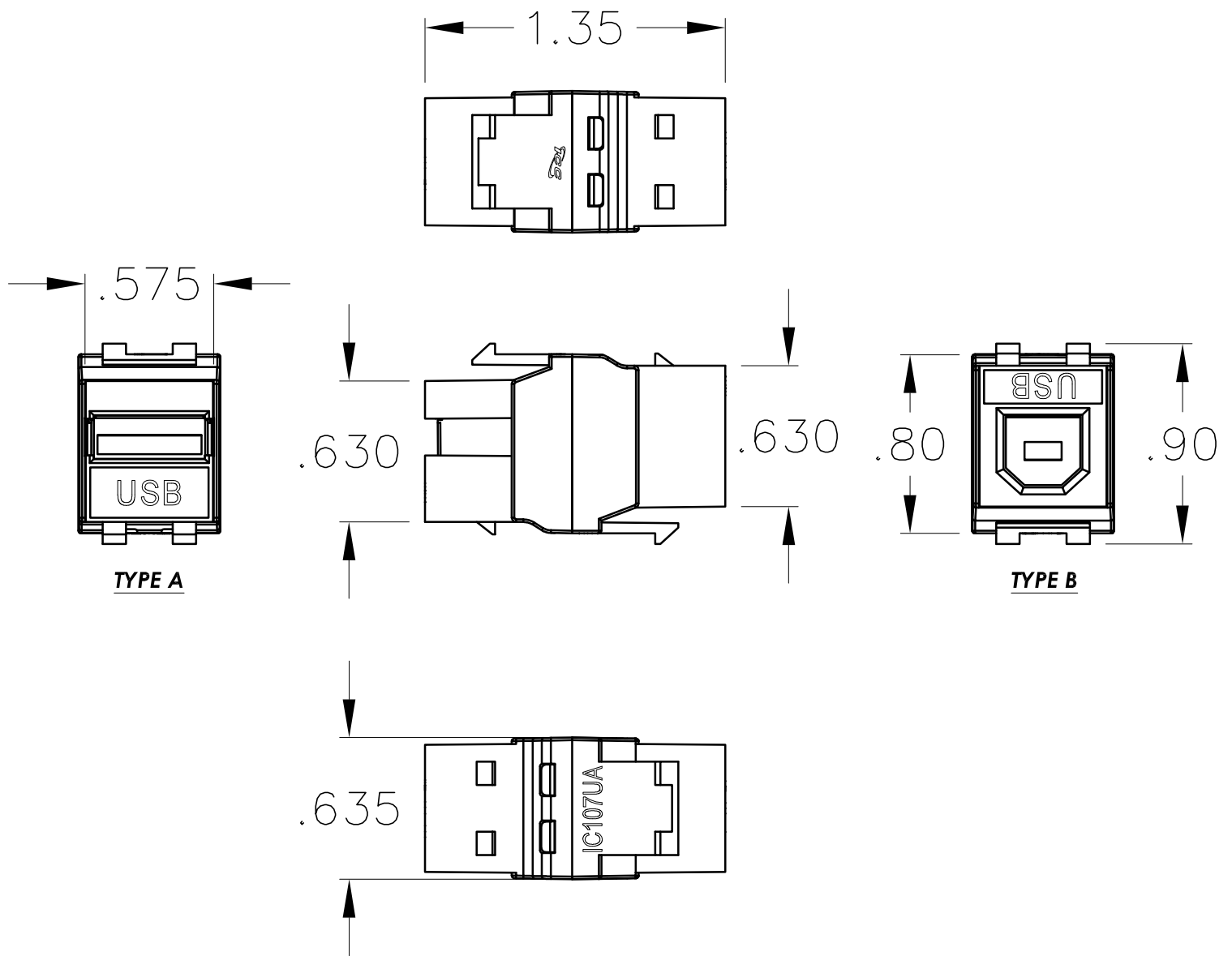
MODULE, USB, A TO B, FEMALE TO FEMALE

ITEM NO.	IC107UABXX
DWG NO.	PS107UAB00

REV.	A
PAGE NO.	1



CUSTOMER CARE / TECHNICAL SUPPORT * CSR@ICC.COM / 888-ASK-4-ICC (275-4422) * 14700 Alondra Blvd., La Mirada, CA 90638* www.icc.com



NOTE: UNLESS OTHERWISE SPECIFIED

1. HOUSING MATERIAL:
 - A. HOUSING: ABS
2. ELECTRICAL PERFORMANCE:
 - A. INSULATION RESISTANCE: 10MΩ MIN. @ 300V DC
 - B. CONTACT RESISTANCE: 5Ω MAX.
3. COLOR:
 - A. XX = WH-WHITE



MODULE, USB, A TO B, FEMALE TO FEMALE			
ITEM NO.	IC107UABXX		REV. A
DWG NO.	PS107UAB00		PAGE NO. 2

CUSTOMER CARE / TECHNICAL SUPPORT * CSR@ICC.COM / 888-ASK-4-ICC (275-4422) * 14700 Alondra Blvd., La Mirada, CA 90638* www.icc.com