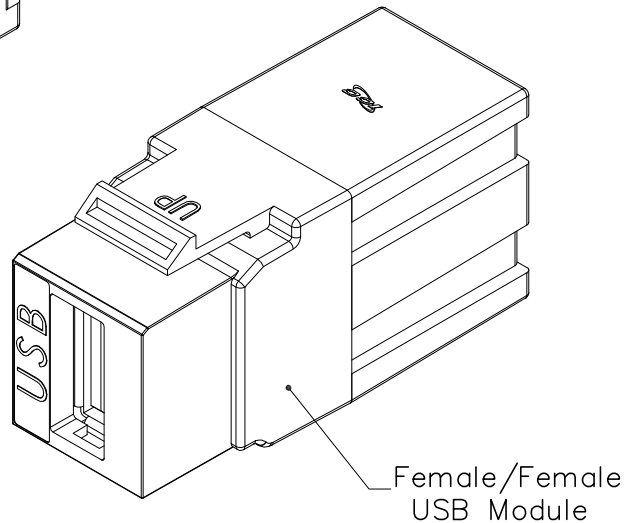
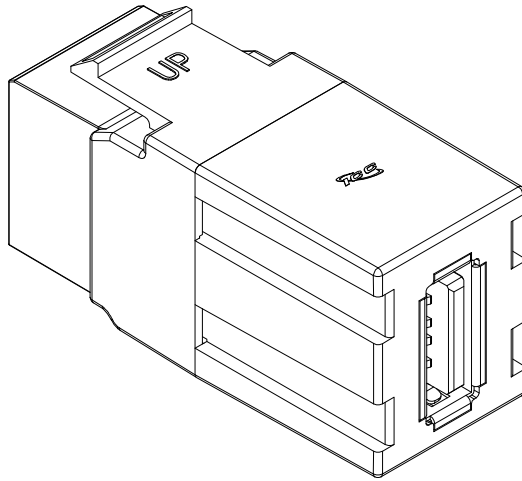


USB Type A Female Module

PRODUCT SPECIFICATION

Package includes:

A. USB Type A Female Module, 1 pc



Features and Benefits:

- Hi-Speed USB (Universal Serial Bus) connectors are ideal for connecting a wide range of peripherals such as video, audio, infrared, and computer equipment in commercial and residential applications.
- USB 2.0 and backwards compatible to v1.1
- Data rate transmission of up to 480Mbps.
- Compatible with all of ICC's faceplates, and decorex inserts.
- Available in white.

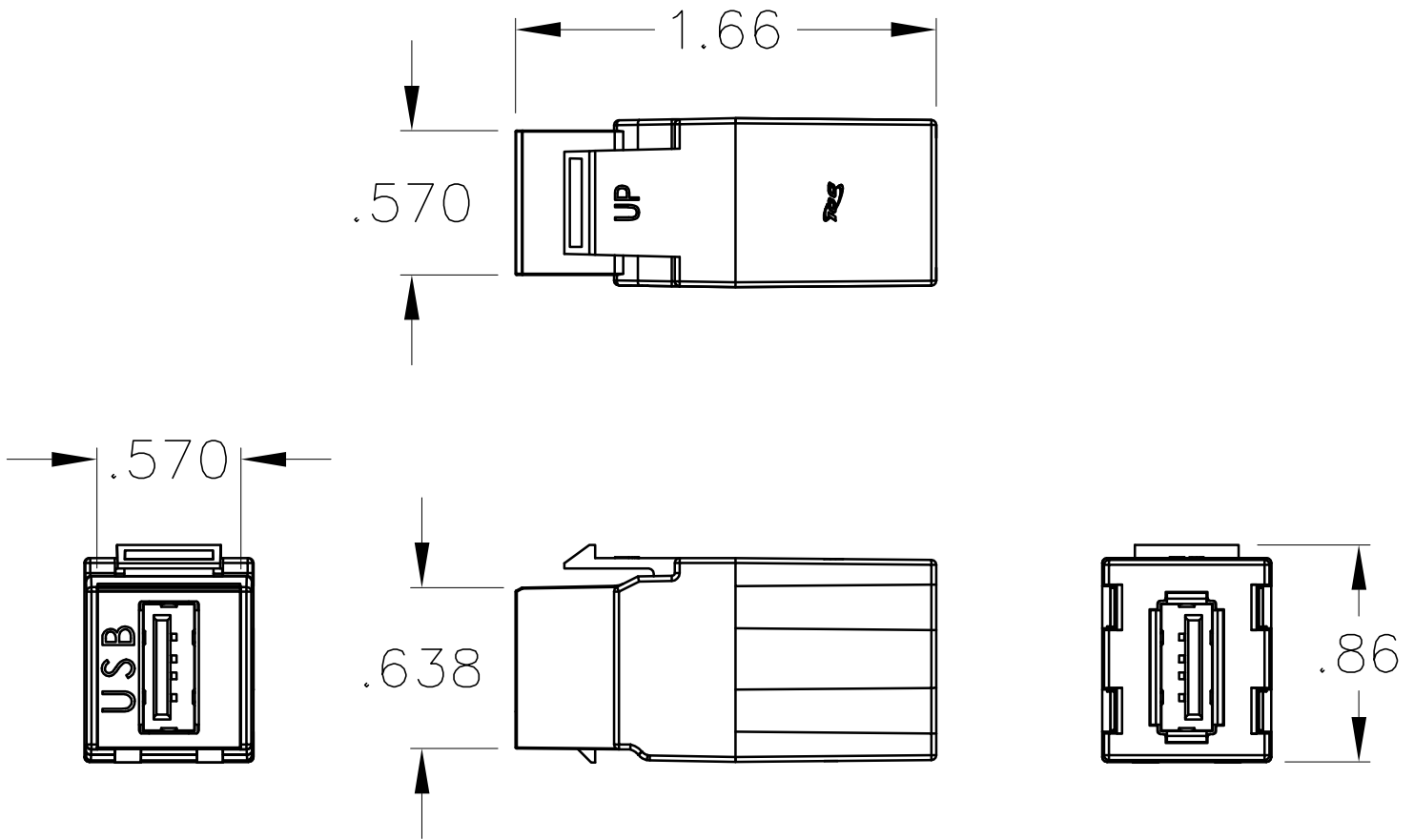
MODULE, USB, TYPE A, FEMALE TO FEMALE

ITEM NO. IC107UAAXX
DWG NO. PS107UAA00

REV. A
PAGE NO. 1




CUSTOMER CARE / TECHNICAL SUPPORT * CSR@ICC.COM / 888-ASK-4-ICC (275-4422) * 14700 Alondra Blvd., La Mirada, CA 90638* www.icc.com



NOTE: UNLESS OTHERWISE SPECIFIED

1. HOUSING MATERIAL:
 - A. HOUSING: ABS
2. COLOR:
 - A. XX = WH-WHITE
3. USB ADAPTER:
 - A. VERSION 2.0
 - B. ELECTRICAL PERFORMANCE:
 - HIGH VOLTAGE TEST: DC/300V
 - INSULATION RESISTANCE: <20MΩ
 - CONNECTION RESISTANCE: <2Ω



MODULE, USB, TYPE A, FEMALE TO FEMALE		 Premium Products Proven Performance Competitive Prices	
ITEM NO.	IC107UAAXX		REV. A
DWG NO.	PS107UAA00	PAGE NO.	2

CUSTOMER CARE / TECHNICAL SUPPORT * CSR@ICC.COM / 888-ASK-4-ICC (275-4422) * 14700 Alondra Blvd., La Mirada, CA 90638* www.icc.com