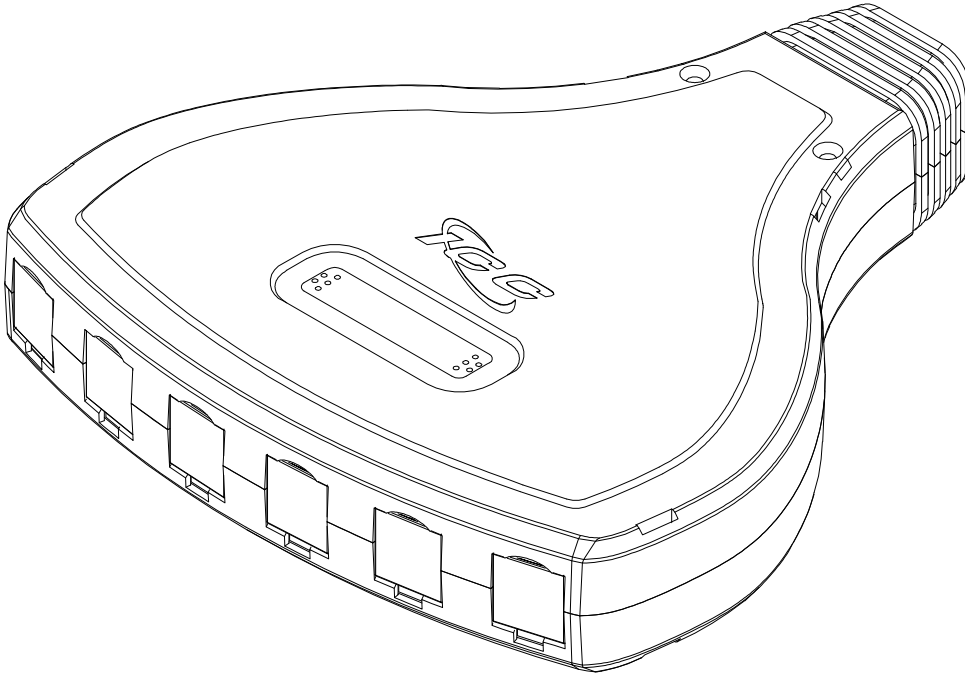


# 6-Port Modular Mobile Patch Box

## PRODUCT SPECIFICATION

### Package includes:

- A. Cover, 1 pc
- B. Base, 1 pc
- C. Dust Cover, 6 pcs
- D. Paper Label, 1 pc
- E. Clear Label Cover, 1 pc
- F. #6 x 1/2" Flat Head Tapping Screw, 3 pcs
- G. 4" Cable Tie, 2 pcs
- H. #6 X 3/4" Pan Head, Sharp Point, Tapping Screw, 2 pcs
- I. Installation Instructions, 1 sheet



### Features and Benefits:

- Customizable for data, voice, video or audio applications.
- Provides a 6-port outlet appropriate for open architectural environments
- Rugged construction allows for in harsh environments
- Optional mounting on steel surface with magnets ICMAGBLOCK (not included) or wall mounted.
- Installation instructions

### MOBILE, MODULAR, OUTLET BOX 6 PORT, BK

ITEM NO. IC107MB6BK

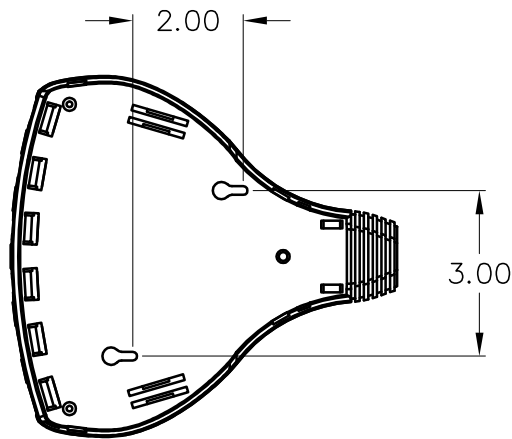
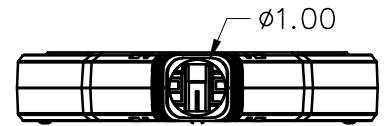
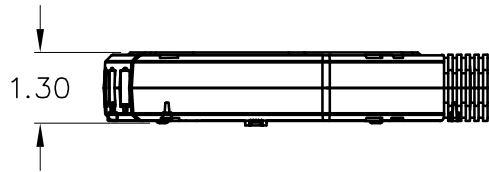
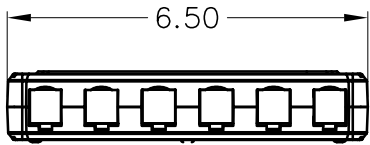
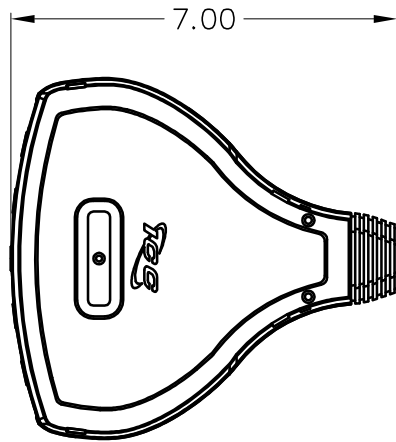
REV. A

DWG NO. PS107MB6BK

PAGE NO. 1



CUSTOMER CARE / TECHNICAL SUPPORT \* CSR@ICC.COM / 888-ASK-4-ICC (275-4422) \* 14700 Alondra Blvd., La Mirada, CA 90638 \* www.icc.com



**NOTE: UNLESS OTHERWISE SPECIFIED**


1. COVER AND BASE:

- A. MATERIAL: POLYPROPYLENE, UL 94V-0
- B. COLOR: BLACK

2. DUST COVER:

- A. MATERIAL: SOFT PVC, UL 94V-0
- B. COLOR: BLACK



<b>MOBILE, MODULAR, OUTLET BOX 6 PORT, BK</b>		 <b>Premium Products</b> <b>Proven Performance</b> <b>Competitive Prices</b>	
ITEM NO.	IC107MB6BK		REV. A
DWG NO.	PS107MB6BK	PAGE NO.	2

CUSTOMER CARE / TECHNICAL SUPPORT \* CSR@ICC.COM / 888-ASK-4-ICC (275-4422) \* 14700 Alondra Blvd., La Mirada, CA 90638 \* www.icc.com