

## specifications

The fiber cassette rear cable manager organizes MTP\* interconnect cable and traditional fiber cable for SFQ series MTP\* fiber optic cassettes, HDQ series high density fiber optic cassettes, and pre-terminated cable assemblies with cassettes. The cassette rear cable manager mounts to the rear of a standard EIA 19" wide telecommunications rack and provides a secure location to support a maximum of sixteen MTP\* interconnect cable assemblies. Interconnect cables and traditional fiber cables shall be secured with fiber management spools.



## technical information

<b>Dimensions:</b>	1.40"H x 19.0"W x 9.56"D (35.7 x 482.6 x 242.9mm)
<b>Mounting options:</b>	Mounts to standard EIA 19" racks
<b>Packaging:</b>	Three FMS1 fiber slack management spools, 10-32 screws, and attachment brackets included; #12-24 and M6 rack mounting screws included

## key features and benefits

<b>Rear mounting design</b>	Provides easy access to fiber cable; rear mounting design conserves data center floor space by reducing or eliminating the need for horizontal cable managers; occupies less than 1 RU space
<b>Fiber management spools</b>	Improved fiber protection, ease of maintenance, and enhanced cable management; manages rear fiber cable slack and provides for fiber cable routing guide; fiber management spools organize cables for optimum finished appearance
<b>Modularity</b>	Offers flexibility by accommodating QuickNet™ MTP* Interconnect Cable and traditional fiber cable; for use with QuickNet™ SFQ Series MTP* Fiber Optic Cassettes, QuickNet™ HDQ Series High Density Fiber Optic Cassettes, and QuickNet™ Pre-Terminated Cable Assemblies with Cassettes

## applications

The SFQ cassette rear cable manager is used to support and manage MTP\* Interconnect Cable and traditional fiber cable. It provides strain relief, bend radius control, superior aesthetics, and improved organization and routing of cables. The QuickNet™ Cassette Rear Cable Manager is less than 1 RU high, and is designed to support MTP\* Interconnect Cable from up to sixteen QuickNet™ SFQ

Cassettes or up to two QuickNet™ HDQ Cassettes installed in 2 RU space. The QuickNet™ Cassette Rear Cable Manager installs on the rear of a standard EIA 19" rack. QuickNet™ Cassette Rear Cable Managers contribute to network integrity and reduce time and cost associated with cable routing and maintenance.

### QuickNet™ Cassette Rear Cable Manager

**Fiber cassette rear cable manager:** FQCRCM

### QuickNet™ HDQ Series High Density Fiber Optic Cassettes – B-Type Port Labeling

<b>10Gig™</b>	
<b>50/125µm OM4:</b>	F1RBZN-9608-10^
<b>Optimized 10Gig™</b>	
<b>50/125µm OM4:</b>	F1RBZO-9608-10^
<b>10Gig™</b>	
<b>50/125µm OM3:</b>	F1RBXN-9608-10^
<b>Optimized 10Gig™</b>	
<b>50/125µm OM3:</b>	F1RBXO-9608-10^

### QuickNet™ HDQ Series High Density Fiber Optic Cassettes – C-Type Port Labeling

<b>10Gig™</b>	
<b>50/125µm OM4:</b>	F1RCZN-9612-10^
<b>Optimized 10Gig™</b>	
<b>50/125µm OM4:</b>	F1RCZO-9612-10^
<b>10Gig™</b>	
<b>50/125µm OM3:</b>	F1RCXN-9612-10^
<b>Optimized 10Gig™</b>	
<b>50/125µm OM3:</b>	F1RCXO-9612-10^

### QuickNet™ HDQ Series Angled High Density Fiber Optic Cassettes – S-Type Port Labeling

<b>10Gig™</b>	
<b>50/125µm OM4:</b>	F1ASZN-9612-10^
<b>Optimized 10Gig™</b>	
<b>50/125µm OM4:</b>	F1ASZO-9612-10^
<b>10Gig™</b>	
<b>50/125µm OM3:</b>	F1ASXN-9612-10^
<b>Optimized 10Gig™</b>	
<b>50/125µm OM3:</b>	F1ASXO-9612-10^

### QuickNet™ MTP\* Trunk Cable Assemblies

<b>12-fiber:</b>	FSPX1255F^A
<b>24-fiber:</b>	FSPX2455F^A
<b>48-fiber:</b>	FSPX4855F^A

### QuickNet™ MTP\* Interconnect Cable Assemblies (Female MTP\* to Female MTP\*)

<b>12-fiber:</b>	FX12D5-5M^Y
------------------	-------------

### QuickNet™ Cassette MTP\* Cleaning Tool

<b>For all MTP* connectors:</b>	FIBCCCT
---------------------------------	---------

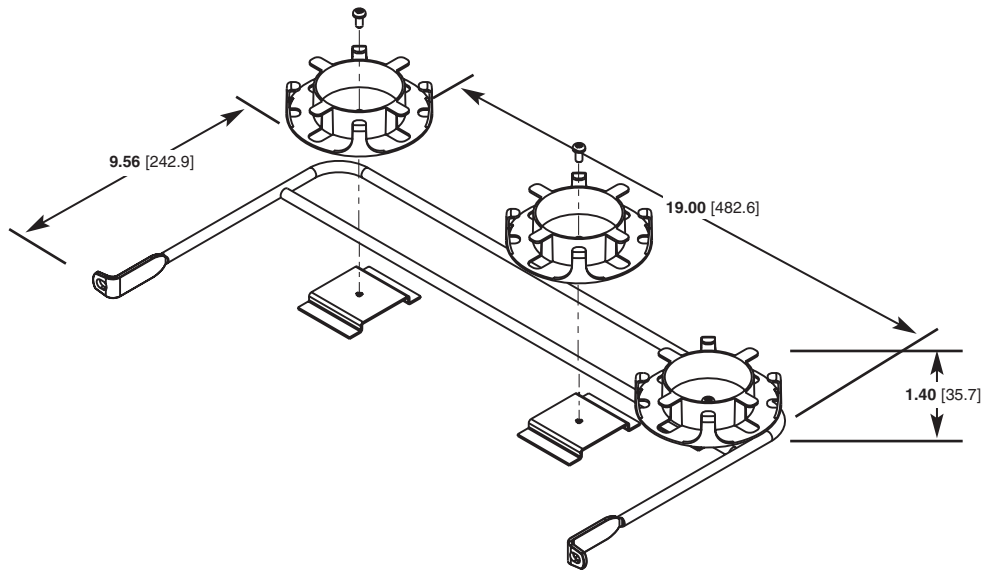
### Reel Type MTP\* Connector Cleaning Tools

<b>Female MTPs*:</b>	FMTPFCT
<b>Male MTPs*:</b>	FMTPMFCT
<b>Reel refill (qty. 6):</b>	FMTPRR6

^Use S for Standard Polarity and F for Flipped Polarity.  
 ^^100, 150, and 200 ft. are standard lengths; additional lengths are available. Contact Customer Service for actual lead times.  
 \*MTP is a registered trademark of Conec Ltd.



## Fiber Cassette Rear Cable Manager Detail



### related products



**QuickNet™ SFQ Series MTP\*  
Fiber Optic Cassettes**



**QuickNet™ HDQ Series High  
Density Fiber Optic Cassettes**



**QuickNet™ HDQ Series Angled High  
Density Fiber Optic Cassettes**



**QuickNet™ MTP\*  
Trunk Cable Assemblies**



**QuickNet™ MTP\*  
Interconnect Cable Assemblies**



**QuickNet™ Pre-terminated  
Cable Assemblies**

Dimensions are in inches. [Dimensions in brackets are metric].

#### WORLDWIDE SUBSIDIARIES AND SALES OFFICES

PANDUIT CANADA  
Markham, Ontario  
cs-cdn@panduit.com  
Phone: 800.777.3300

PANDUIT EUROPE LTD.  
London, UK  
cs-emea@panduit.com  
Phone: 44.20.8601.7200

PANDUIT SINGAPORE PTE. LTD.  
Republic of Singapore  
cs-ap@panduit.com  
Phone: 65.6305.7575

PANDUIT JAPAN  
Tokyo, Japan  
cs-japan@panduit.com  
Phone: 81.3.6863.6000

PANDUIT LATIN AMERICA  
Jalisco, Mexico  
cs-la@panduit.com  
Phone: 52.33.3777.6000

PANDUIT AUSTRALIA PTY. LTD.  
Victoria, Australia  
cs-aus@panduit.com  
Phone: 61.3.9794.9020

For a copy of Panduit product warranties, log on to [www.panduit.com/warranty](http://www.panduit.com/warranty)

For more information

Visit us at [www.panduit.com](http://www.panduit.com)

Contact Customer Service by email: [cs@panduit.com](mailto:cs@panduit.com)  
or by phone: 800-777-3300 and reference FBSP44

©2009 Panduit Corp.  
ALL RIGHTS RESERVED.  
Printed in the U.S.A.

WW-FBSP44

11/2009