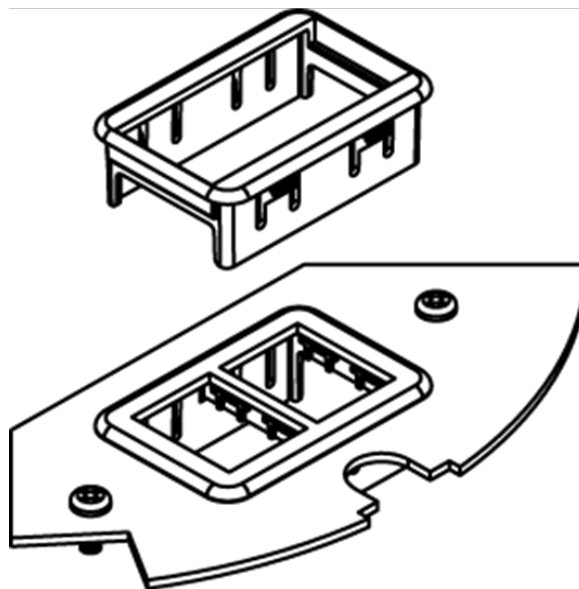


CRFB Series Communication Device Plate

CRFB-RT-3



Accepts two (2) ports of communication devices. Includes one (1) Ortronics Series II and one (1) Tracjack adapter. NOTE: Standard size for device plates for Plate Location 2 is 5 7/32" [132mm] x 2 3/4" [62mm].

features & benefits

specifications

General Info

Product Series: CRFB
Component Type: Plates & Accessories

