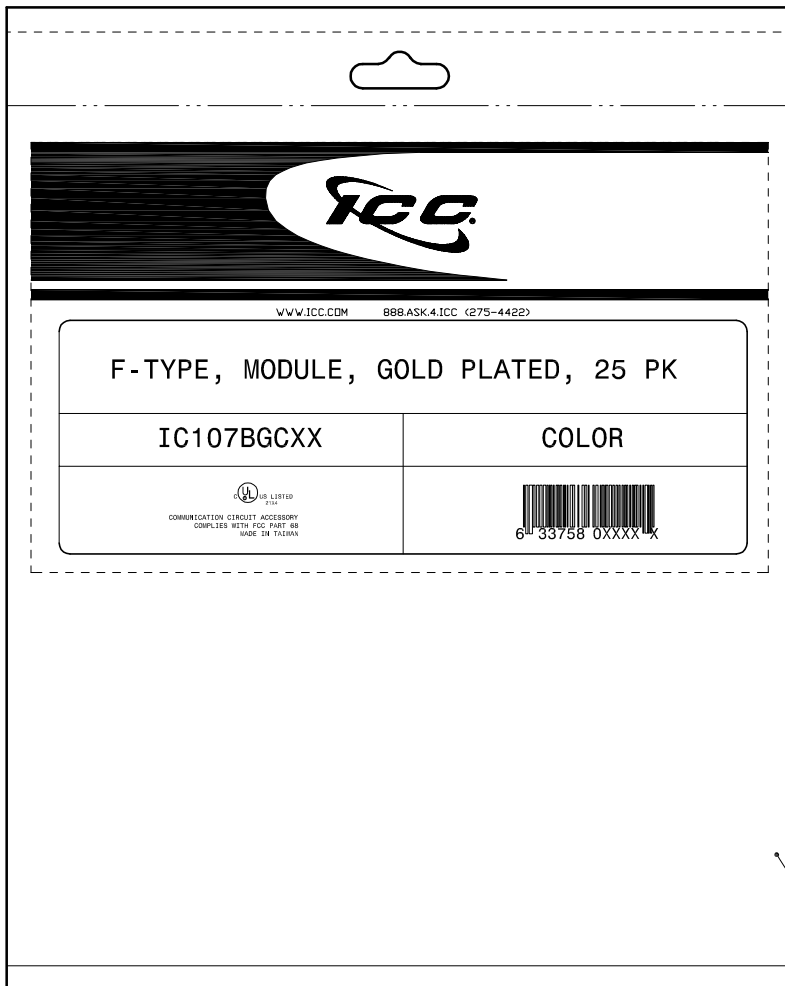


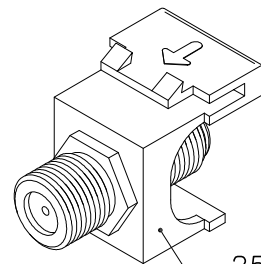
Gold Plated F-Type Module, 25 PK

PRODUCT SPECIFICATION



Package includes:

- A. Gold Plated F-Type Module, 25 pcs
- B. Packaging Bag, 1 pc



25X Gold Plated F-Type Module

Packaging Bag

Features and Benefits:

- Gold plating for improved performance with superior signal quality with minimal noise.
- Used for audio and video applications.
- Rear threaded F-Type connectors for secure in-wall connections with both RG6 and RG59 coaxial cables.
- Provides a clean and neat appearance installation.
- Compatible with all IC107 faceplates, inserts, surface mount boxes, and blank patch panels.
- Compatible with all IC108 furniture faceplates, bezels, and surface mount boxes.
- Used with ICC RG6 F-Type ICPCSF patch cords.
- Available in white.
- 25 modules included in packaging bag.
- UL listed.

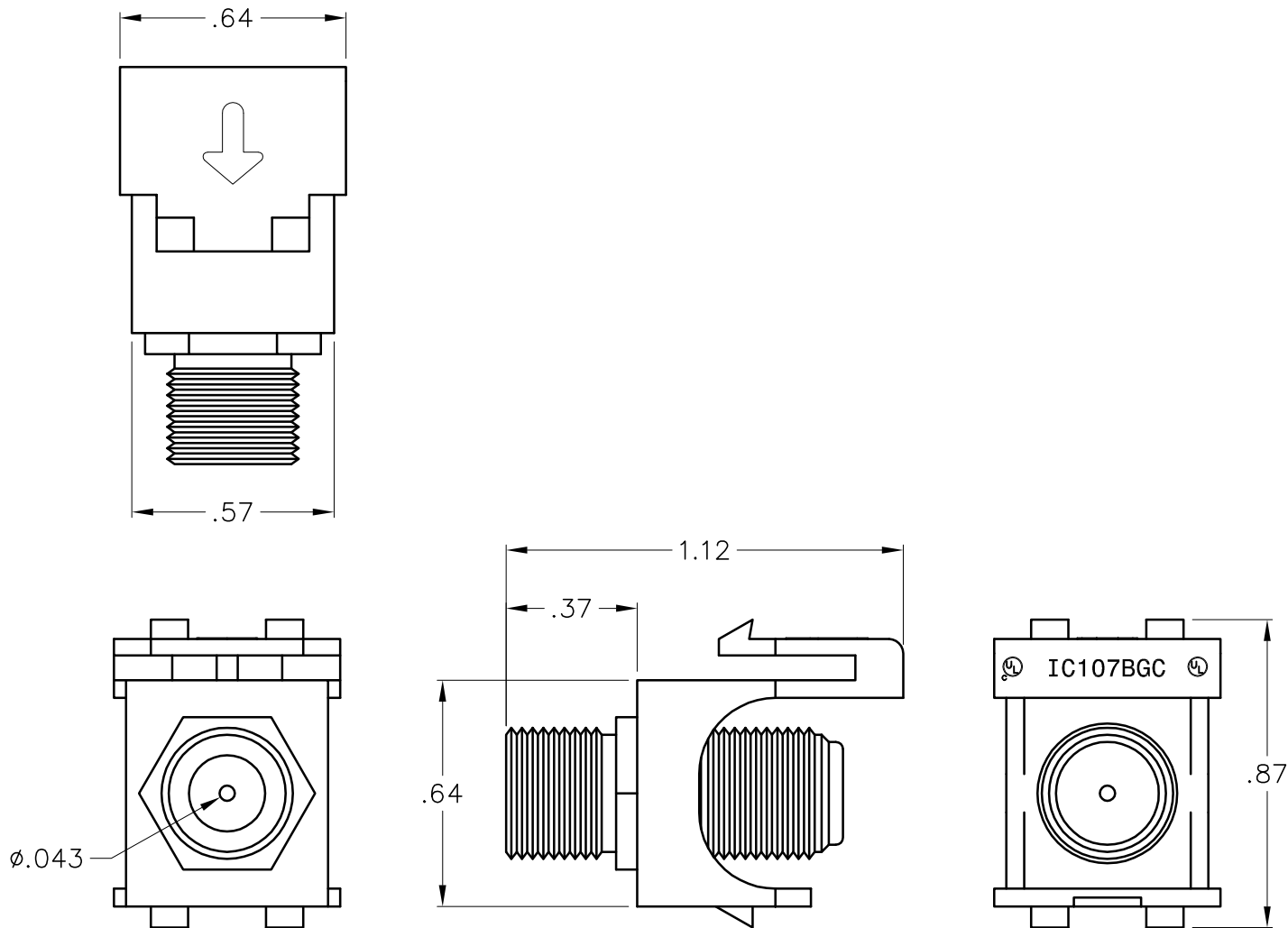
MODULE, F-TYPE, GOLD PLATED, 25 PK

| | |
|----------|------------|
| ITEM NO. | IC107BGCXX |
| DWG NO. | PS107BGC00 |

| | |
|----------|---|
| REV. | F |
| PAGE NO. | 1 |



CUSTOMER CARE / TECHNICAL SUPPORT * CSR@ICC.COM / 888-ASK-4-ICC (275-4422) * 14700 Alondra Blvd., La Mirada, CA 90638 * www.icc.com



NOTE: UNLESS OTHERWISE SPECIFIED

1. HOUSING:

- A. MATERIAL: ABS, UL 94V-0
- B. COLOR: XX: WH-WHITE

2. GOLD PLATED F-TYPE CONNECTOR:

- A. MATERIAL: BRONZE WITH 3 MICRON GOLD PLATING
- B. HOLDING FORCE > 80 GRAMS
- C. F-TYPE CONNECTOR THREADS: 3/8-32 UNEF-2A

3. ELECTRICAL:

- A. RETURN LOSS OF -20 dB MAX
- B. FREQUENCY RANGE 1.4 ~ 2.0 GHZ
- C. CONTACT RESISTANCE < 10 MOHM
- D. INSULATION RESISTANCE > 5000 MOHM
- E. INSERTION LOSS < 0.3 dB



UL US FILE NO. 125268

| | | | | | |
|---|------------|--|--|----------|---|
| MODULE, F-TYPE, GOLD PLATED, 25 PK | | | | | |
| ITEM NO. | IC107BGCXX | | | REV. | F |
| DWG NO. | PS107BGC00 | | | PAGE NO. | 2 |

CUSTOMER CARE / TECHNICAL SUPPORT * CSR@ICC.COM / 888-ASK-4-ICC (275-4422) * 14700 Alondra Blvd., La Mirada, CA 90638 * www.icc.com