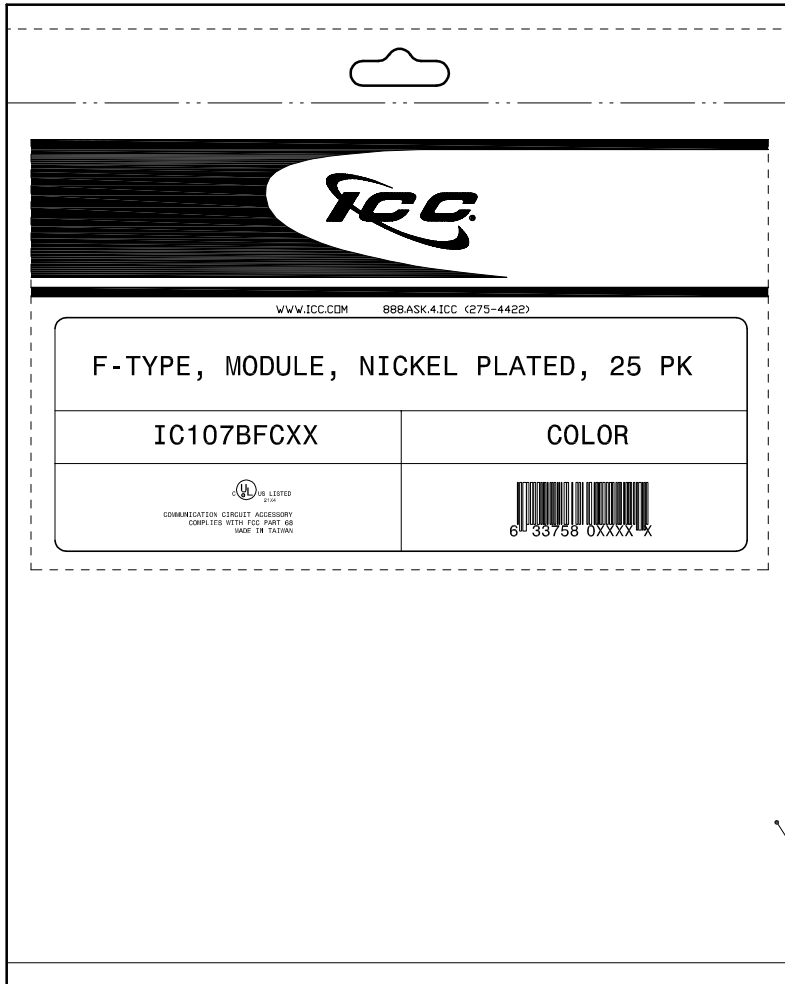


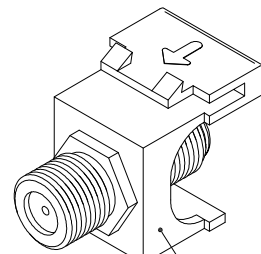
Nickel Plated F-Type Module, 25 PK

PRODUCT SPECIFICATION



Package includes:

- A. Nickel Plated F-Type Module, 25 pcs
- B. Packaging Bag, 1 pc



25X Nickel Plated F-Type Module

Packaging Bag

Features and Benefits:

- Used for audio and video applications
- Rear threaded F-Type connectors for secure in-wall connections with both RG6 and RG59 coaxial cables
- Provides a clean and neat appearance installation
- Compatible with all IC107 faceplates, inserts, surface mount boxes, and blank patch panels
- Compatible with all IC108 furniture faceplates, bezels, and surface mount boxes
- Used with ICC RG6 F-Type ICPCSF patch cords
- Available in white
- 25 modules included in packaging bag
- UL listed

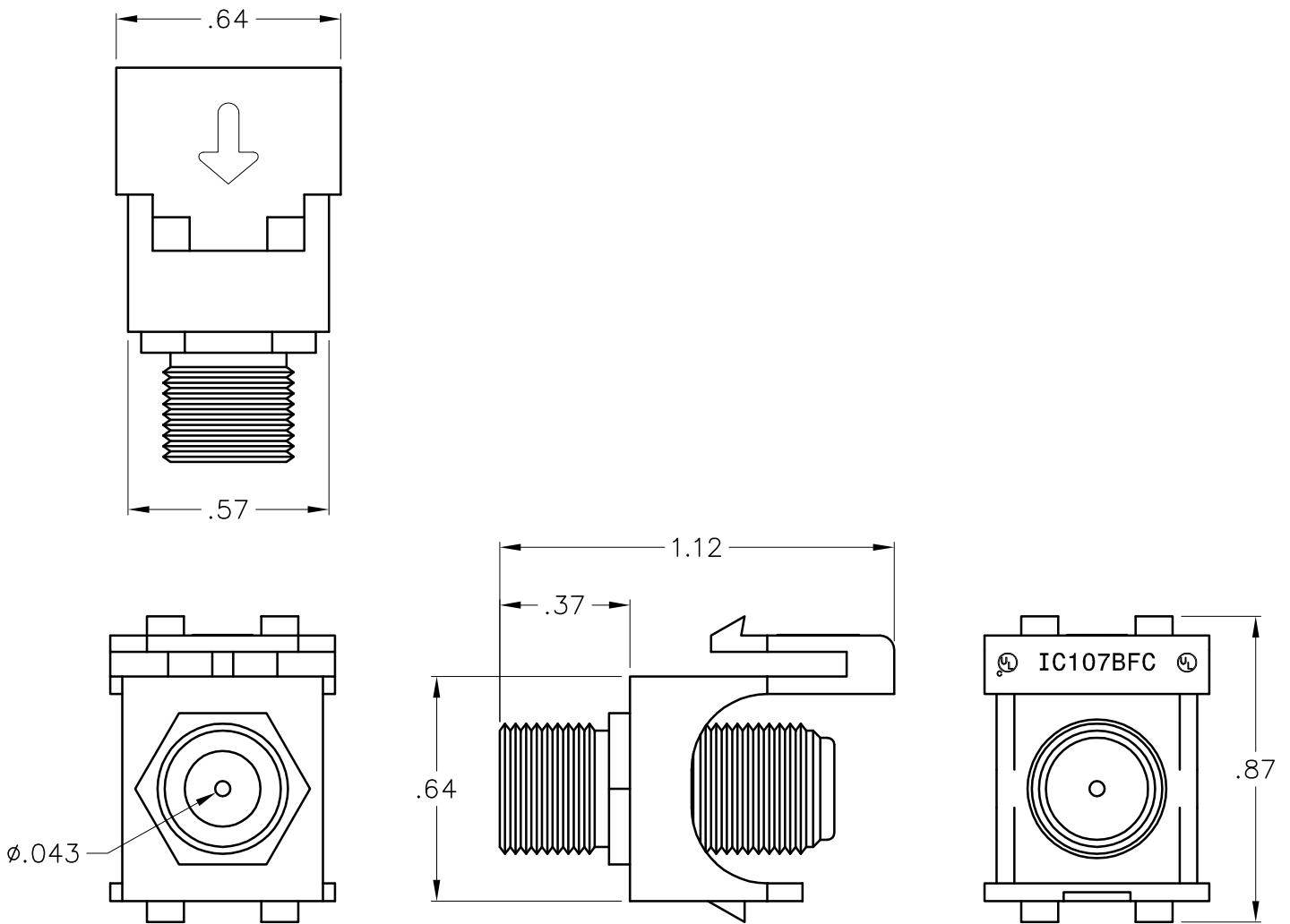
MODULE, F-TYPE, NICKEL PLATED, 25 PK

ITEM NO.	IC107BFCXX
DWG NO.	PS107BFC00

REV.	F
PAGE NO.	1



CUSTOMER CARE / TECHNICAL SUPPORT * CSR@ICC.COM / 888-ASK-4-ICC (275-4422) * 14700 Alondra Blvd., La Mirada, CA 90638 * www.icc.com



NOTE: UNLESS OTHERWISE SPECIFIED

1. HOUSING:
 - A. MATERIAL: ABS, UL 94V-0
 - B. COLOR: XX: WH-WHITE
2. NICKEL PLATED F-TYPE CONNECTOR:
 - A. MATERIAL: BRONZE WITH NICKEL PLATING
 - B. HOLDING FORCE > 80 GRAMS
 - C. F-TYPE CONNECTOR THREADS: 3/8-32 UNEF-2A
3. ELECTRICAL:
 - A. RETURN LOSS OF -20 dB MAX
 - B. FREQUENCY RANGE 1.4 ~ 1.7 GHZ
 - C. CONTACT RESISTANCE < 10 MOHM
 - D. CHARACTER IMPEDANCE RATED 75 OHM
 - E. INSULATION RESISTANCE > 10 MOHM



UL US FILE NO. 125268

MODULE, F-TYPE, NICKEL PLATED, 25 PK			
ITEM NO.	IC107BFCXX		REV. F
DWG NO.	PS107BFC00	PAGE NO.	2

CUSTOMER CARE / TECHNICAL SUPPORT * CSR@ICC.COM / 888-ASK-4-ICC (275-4422) * 14700 Alondra Blvd., La Mirada, CA 90638 * www.icc.com