

X7899-GY

UPC Code: 07847751383

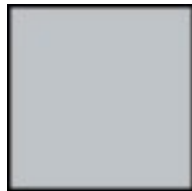
Country of Origin: China

Description

20 Amp, 125 Volt Receptacle, 20 Amp Feed-Through, Tamper Resistant, SmartLock Pro Slim GFCI, Monochromatic, back and side wired, nylon wallplate, screws and self grounding clip included - Gray



Color: Gray



NEMA: 5-20R



Product Features

Grounding: Self-Grounding

Feature: SmartlockPro® Slim

Amperage: 20 Amp

Voltage: 125 Volt

NEMA: 5-20R

Pole: 2

Trip Level: Class A, 5mA plus or minus 1mA

Wire: 3

Termination: Back & Side

Face Material: Thermoplastic

Body Material: Polycarbonate

Strap Material: Galvanized Steel

Color: Gray

Standards and Certifications: UL/CSA

UL Fed Spec WC-596: Yes

Warranty: 2-Year Limited

Notes: w/ Wallplate

Features and Benefits

- Reduced depth of SmartlockPro® Slim GFCI makes it easier to install in any electrical box, even shallow ones.
- Terminals allow for easy wiring options – back and side wire capable.
- External back wire clamps provide visual indication of proper wire seating.
- Withstands high torque and resists wire pullout.
- Standard brass self-grounding clips.
- Automatically test the GFCI every time the RESET button is pushed in. The GFCI will not reset if the GFCI circuit is not functioning properly.
- By blocking reset of the GFCI if protection has been compromised, SmartlockPro® Slim GFCI reduces the possibility of end-users incorrectly assuming that a reset GFCI outlet is providing ground fault protection when it actually is not.
- A line-load reversal diagnostic feature is provided which prevents the GFCI from being reset and stops power from being fed to the GFCI receptacle face or through to downstream devices. A green LED indicator on the GFCI's face also illuminates to alert the installer to the line-load wiring reversal.
- Trip threshold meets or exceeds UL requirements for tripping time.
- Improved immunity to high-frequency noise reduces nuisance tripping.
- Advanced electronics design provides superior resistance to electrical surges and over-voltages.
- Compatible with all Decora devices and wallplates; available in select Decora colors.
- UL Fed Spec WC-596 rated.

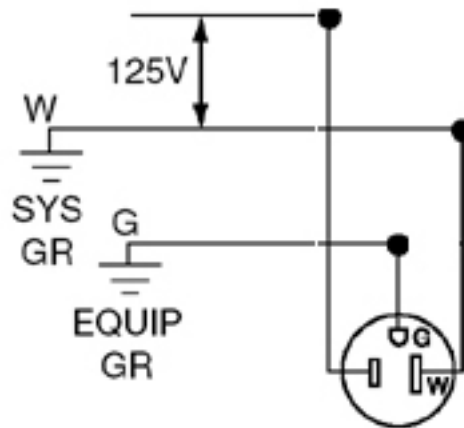
AC Horsepower Ratings	
At Rated Voltage	1 HP
Environmental Specifications	
Flammability	Rated V-2 per UL94
Operating Temperature	-35C to +66C
Mechanical Specifications	
Terminal ID	Brass-Hot, Green-Ground, Silver-Neutral
Terminal Accom.	14-10 AWG
Product ID	Ratings are permanently marked on device

Electrical Specifications	
Dielectric Voltage	Withstands 2000V per UL498
Short Circuit Current Rating	10KA
Temperature Rise	Max 30C after 100 cycles OL at 150 percent rated current

Material Specifications	
Face Material	Thermoplastic
Body Material	Polycarbonate
Line Contacts	Brass Triple-Wipe
Terminal Screws	Plated Steel
Grounding Screw	Plated Steel
Yoke	Zinc-Plated Steel
Clamp Nuts	Zinc-Plated Steel
Notes	w/ Wallplate

Standards and Certifications	
NEMA	WD-6
ANSI	C-73
UL498	File E13399
CSA C22.2 No. 42	File LR-57811
NOM	057
UL 943	File E48380
UL Fed Spec WC-596	Yes

Wiring Diagram



5-15R

SPECIFICATION SUBMITTAL

JOB NAME:	CATALOG NUMBERS:	
<input type="text"/>	<input type="text"/>	<input type="text"/>
JOB NUMBER:	<input type="text"/>	<input type="text"/>

Leviton Manufacturing Co., Inc.

201 North Service Road, Melville, NY 11747

Telephone: 1-800-323-8920 · FAX: 1-800-832-9538 · Tech Line (8:30AM-7:30PM E.S.T. Monday-Friday): 1-800-824-3005

Leviton Manufacturing of Canada, Ltd.

165 Hymus Boulevard, Pointe Claire, Quebec H9R 1E9 · Telephone: 1-800-469-7890 ·

FAX: 1-800-824-3005 · www.leviton.com/canada

Leviton S. de R.L. de C.V.

Lago Tana 43, Mexico DF, Mexico CP 11290 · Tel.: (+52)55-5082-1040 · FAX: (+52)5386-1797 ·

www.leviton.com.mx



Visit our Website at: www.leviton.com

© 2007-2011 Leviton Manufacturing Co., Inc. All rights reserved. Subject to change without notice.

Leviton has a global presence.

If you would like to know where your local Leviton office is located please go to:

www.leviton.com/international/contacts/

