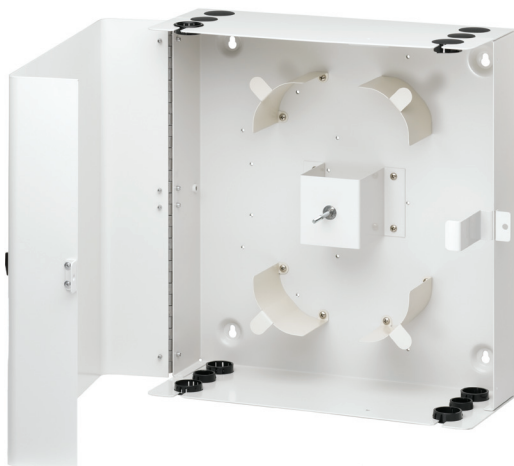


LightSpace® CPS Series Customer Premise Splice Enclosure

APPLICATION

LightSpace Customer Premise Splice Enclosures are modular wall mount enclosures for splicing of optical fibers in an indoor environment. These enclosures may be used to directly splice outside plant or intra-building cables.

Units are stackable and allow users to add units as their fiber count requirements increase. The wide- swing radius door provides additional access during installation and maintenance.



CPS48-STD

SPECIFICATION

Enclosure shall facilitate the splicing of optical fibers in an indoor environment. Enclosure shall be wall-mountable, dust proof, and constructed of steel, with a durable power-coating. Doors shall be designed to offer maximum access to enclosure interior during installation and service and have a lockable option for added security.



FEATURES

- Used to directly splice outside plant or intra-building cables
- Large access door
- Accommodates various splice tray designs
- Stackable
- Durable powder-coat finish
- Key lock kits are available for extra security
- Enclosures available in three sizes
- Cable clamp kit and grounding kit available

DESIGN CONSIDERATIONS

- Wide-swing radius door provides additional access during installation and maintenance
- Top or bottom cable entry
- Padlock provision

PHYSICAL SPECIFICATIONS

Dimensions:

CPS-12	9" x 14" x 3.4"
CPS-24	16" x 15" x 3.4"
CPS-48	16" x 15" x 6.2"

Materials/construction:

Enclosure	16-gauge steel
Hinges	Stainless steel

WARRANTY INFORMATION

Two-year limited product warranty. For a copy of Leviton product warranties, visit www.leviton.com.

CPS12-STD, CPS24-STD, CPS48-STD

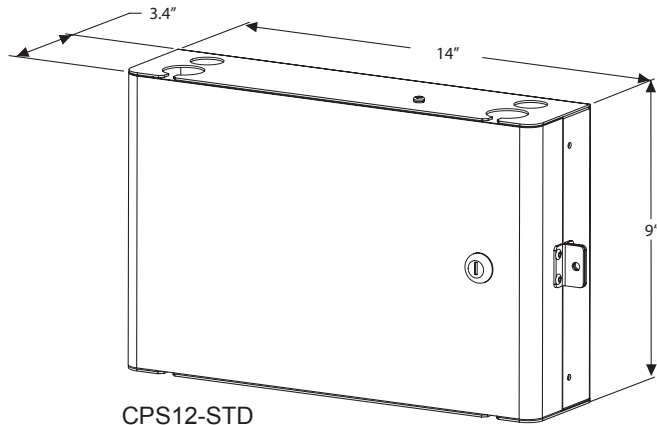
Capacity	
CPS-12	Holds up to 4 splice trays Maximum Capacity: 96 single fibers using 5" x 7" and 4" x 7" trays 432 ribbon fibers using ribbon trays
CPS-24	Holds up to 4 splice trays Maximum Capacity: 96 single fibers using 5" x 7" and 4" x 7" trays 432 ribbon fibers using ribbon trays
CPS-48	Holds up to 6 splice trays Maximum Capacity: 144 fibers using all available trays 576 ribbon fiber using ribbon trays

COMPONENT SPECIFICATIONS
CPS12-STD, CPS24-STD, CPS48-STD

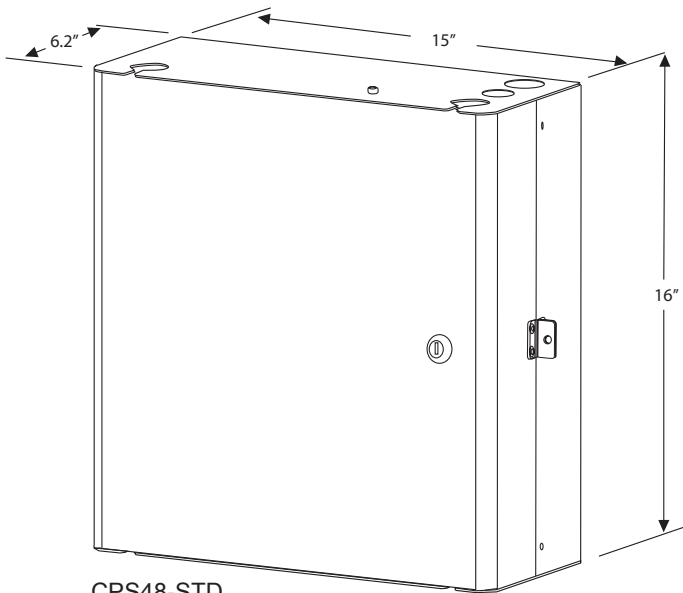


ELECTRONIC FILES

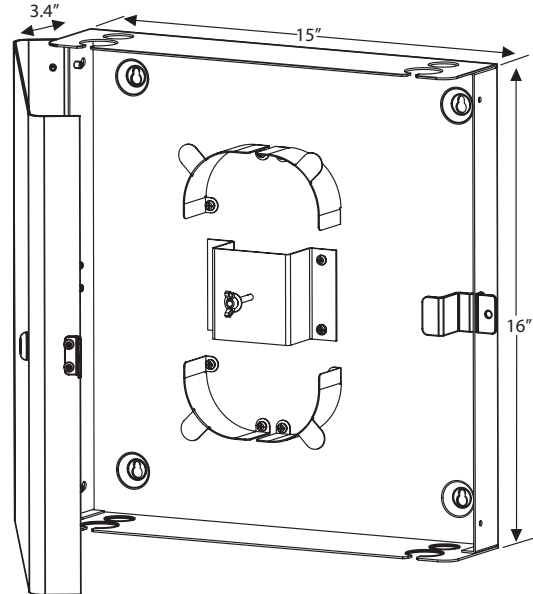
For CAD files, typical specs, or technical drawings (.DXF, .DWG), visit www.leviton.com.



CPS12-STD



CPS48-STD



CPS24-STD

CPS12-STD, CPS24-STD, CPS48-STD

PART NUMBERS

Description	Part No.
CPS Customer Premise Splice Enclosure, Single Door, 12 Fiber Trays	CPS12-STD
CPS Customer Premise Splice Enclosure, Single Door, 24 Fiber Trays	CPS24-STD
CPS Customer Premise Splice Enclosure, Single Door, 48 Fiber Trays	CPS48-STD
Cable Clamp Kit, small diameter cable (.25" - .50" Dia)	CPCSR-001
Cable Clamp Kit, small diameter cable (.25" - .50" Dia)**	CPCSR-002
Grounding Kit, single cable	CPGRD-KIT
Key Lock Kit	CPLOK-KIT

NOTE: Part numbers are for unconfigured enclosures. Please call for configured options.

** For CPS-24 & CPS-48 only

