

# 37X/33X/27X Low Light High Resolution PTZ Dome Camera SPD-3700T/3700/3310/2700



## Specifications

	SPD-3700TN	SPD-3700N	SPD-3310N	SPD-2700N	SPD-3700TP	SPD-3700P	SPD-3310P	SPD-2700P
<b>ELECTRICAL</b>								
Input Voltage	24V AC							
Power Consumption	Max. 15W		Max. 13W		Max. 15W		Max. 13W	
<b>VIDEO</b>								
Imaging Device	1/4" Super HAD CCD							
Total Pixels	811(H) x 508(V)				795(H) x 596(V)			
Effective Pixels	768(H) x 494(V)				752(H) x 582(V)			
Scanning System	2 : 1 Interlace							
Synchronization	Internal / AC line-lock							
Frequency	H : 15.734KHz / V : 59.94Hz				H : 15.625KHz / V : 50Hz			
Horizontal Resolution	Color : 550TV lines (Min.) / B/W : 680TV lines (Min.)							
Min. Illumination	Color : 0.4Lux (50 IRE@F1.6), 0.001Lux (Sens-up, 256X) B/W : 0.02Lux (50 IRE@F1.6)							
S / N (Y signal)	50dB							
Video Output	CVBS : 1.0Vp-p / 75							
<b>LENS</b>								
Zoom Ratio	37X (Optical) 12X (Digital)		33X (Optical) 12X (Digital)		27X (Optical) 12X (Digital)		37X (Optical) 12X (Digital)	
Focal Length	3.5 ~ 129.5mm (F1.6 ~ 3.9)		3.5 ~ 115.5mm (F1.6 ~ 3.6)		3.5 ~ 95.8mm (F1.6 ~ 2.9)		3.5 ~ 129.5mm (F1.6 ~ 3.6)	
Max. Aperture Ratio	1 : 1.6(Wide) ~ 3.9(Tele)		1 : 1.6(Wide) ~ 3.6(Tele)		1 : 1.6(Wide) ~ 3.9(Tele)		1 : 1.6(Wide) ~ 3.6(Tele)	
Min. Object Distance	1.9m (6.23ft)							
Angular Field of View	H : 55.5°(Wide) ~ 1.59°(Tele) V : 42.5°(Wide) ~ 1.19°(Tele)		H : 55.5°(Wide) ~ 1.77°(Tele) V : 42.5°(Wide) ~ 1.33°(Tele)		H : 55.5°(Wide) ~ 2.24°(Tele) V : 42.5°(Wide) ~ 1.79°(Tele)		H : 55.5°(Wide) ~ 1.59°(Tele) V : 42.5°(Wide) ~ 1.19°(Tele)	
Focus	Auto / Manual / One-push							
Zoom Movement Speed	2.5sec							
Iris Control	Auto / Manual							
<b>PAN / TILT</b>								
Auto Tracking	Built-in		-		-		-	
Pan Range	360° Endless							
Pan Speed	Preset : 500°/sec / Manual : 0.024°/sec ~ 120°/sec (Proportional zoom ratio)							
Tilt Range	-6° ~ 186°							
Tilt Speed	Preset : 500°/sec / Manual : 0.024°/sec ~ 120°/sec (Proportional zoom ratio)							
Preset Positions	255							
Preset Accuracy	±0.1°							
PTZ Mode	Preset, Swing, Group, Tour, Track (Track is applied to SPD-3700T only)							
<b>OPERATIONAL</b>								
On Screen Display	Built-in (Currently supported languages : English, Spanish, Italian, French, German, Japanese, Chinese)							
Camera Title	On / Off							
ID (Camera Address)	1 ~ 255							
Day & Night	Auto (ICR) / Color / B/W							
Backlight Compensation	BLC / HLC / Off							
Motion Detection	On / Off							
Digital Image Stabilization	On / Off							
Privacy Masking	On / Off (8 Programmable zones)							
3D Noise Filter (SSNRII)	Low / Medium / High / Off							
Sens-up (Frame Integration)	On / Off (Selectable limit ~ 256X)							
Gain Control	Low / Medium / High / Manual / Off							
White Balance	ATW / AWC / Manual / Indoor / Outdoor							
Electronic Shutter Speed	Auto (NTSC : 1/60 ~ 1/120,000sec, PAL : 1/50 ~ 1/120,000) / Manual / A.FLK							
Communication	RS-485/422, Coaxial control							
Protocol	Samsung Techwin, Pelco-D, Pelco-P, Panasonic, Honeywell, AD, Vicon, Samsung Electronics							
Alarm	4 In, 2 Out, 1 Aux							
Auto Digital Flip	On / Off							
<b>ENVIRONMENTAL</b>								
Operating Temperature / Humidity	-10°C ~ +50°C / 20% ~ 80% RH							
Storage Temperature / Humidity	-20°C ~ +60°C / 20% ~ 95% RH							
<b>MECHANICAL</b>								
Dimension (WxH)	Ø155 x 243.4mm (Ø6.1" x 9.58")							
Weight	2Kg (4.41 lb)							
Ingress Protection	IP67 (Optional housing)							
Certifications	FCC (Class A), cUL				CE (Class A)			

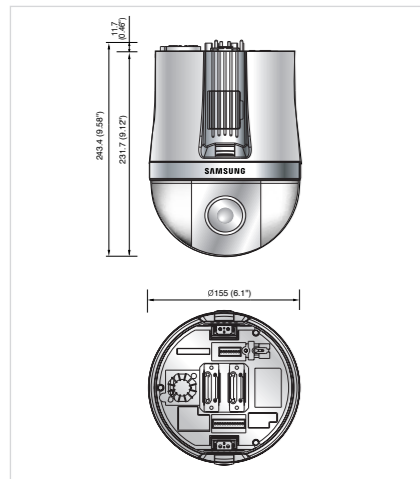
\* The SPD-3700T/3700/3310/2700 require an exclusive housing, including the control board, for operation.

Design and specifications are subject to change without notice.

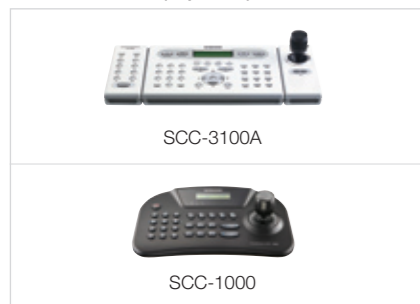


## Dimensions

Unit : mm (inch)



## Controller (Option)



The **Eco mark** represents Samsung Techwin's will to create environment-friendly products, and indicates that the product satisfies the EU RoHS Directive.



**SAMSUNG TECHWIN CO., LTD.**  
145-3, Sangdaewon 1-dong, Jungwon-gu, Seongnam-si, Gyeonggi-do Korea 462-703  
Tel : +82-31-740-8151-8 Fax : +82-31-740-8145  
www.samsungcctv.com

**SAMSUNG TECHWIN AMERICA Inc.**  
1480 Charles Willard St, Carson, CA 90746, UNITED STATES  
Tel Free : +1-877-213-1222 Fax : +1-310-632-2195  
www.samsungcctvusa.com

**SAMSUNG TECHWIN EUROPE CO., LTD.**  
Samsung House, 1000 Hillwood Drive, Hillwood Business Park  
Chertsey, Surrey, UNITED KINGDOM KT16 0PS  
Tel : +44-1932-45-5300 Fax : +44-1932-45-5325

**TIANJIN SAMSUNG TECHWIN OPTO-ELECTRONICS CO., LTD.**  
No.11 Wei 6 Street, Micro-Electronic Industrial Park  
Jingang Road, Tianjin, P.R. CHINA 300385  
Tel : +86-22-23887788 Fax : +86-22-23887788

DISTRIBUTED BY



I.E-0906



# Speed Zoom

37X Zoom High speed Pan & Tilt /  
Low-light High resolution Image

# SPD-3700T/3700/3310/2700

37X/33X/27X Low Light High Resolution PTZ Dome Camera

- Max. 37X A/F optical zoom
- Enhanced Min. illumination of 0.4Lux
- Noise-free, High resolution 550TV lines
- Intelligent auto motion tracking (SPD-3700T only)
- High speed pan & tilt, Coaxial Control
- Wide range of protocols and dedicated accessories



www.samsungcctv.com