

Component Specifications



Part Numbers
 DPC6U-033 DPC7U-043
 DPC8U-044 DPC12-***

LightSpace™ DPC Series Optical Distribution & Splice Enclosure

LightSpace DPC Series Optical Distribution & Splice Enclosure

APPLICATION

Leviton's LightSpace DPC Series Optical Distribution & Splice Enclosures are designed to protect, manage and organize fiber terminations and splices in a rack mount environment. LGX® compatibility allows users to fill and expand legacy systems.

Enclosures may be combined to provide splicing and termination in a single, factory assembled unit. Enclosures are available with preloaded pigtail and splice trays for fast and simple setup.

FEATURES

- Accepts Leviton standard 12-packs (DPC-105)
- Accepts LGX compatible 6 or 8 packs, adapter plates
- Accepts Leviton standard splice trays
- 19" and 23" rack mounting
- Constructed of high-strength aluminum
- Removable hinged front doors and hinged rear door
- Flip card for connector identification
- Large cable management rings for enhanced jumper routing
- Metal door & key lock options for increased security
- Pigtails routed internally for maximum protection
- Cable clamp kits for additional cable strain relief
- Grounding kit available

STANDARDS COMPLIANCE

Meets NEBS GR-63.

PHYSICAL SPECIFICATIONS

Dimensions

DPC-525:	10.48"H x 17"W x 11"D
DPC-752:	12.23"H x 17"W x 11"D
DPC-700:	13.98"H x 17"W x 11"D
DPC-105:	20.98"H x 17"W x 11"D
DPC-370:	20.97"H x 17"W x 11"D

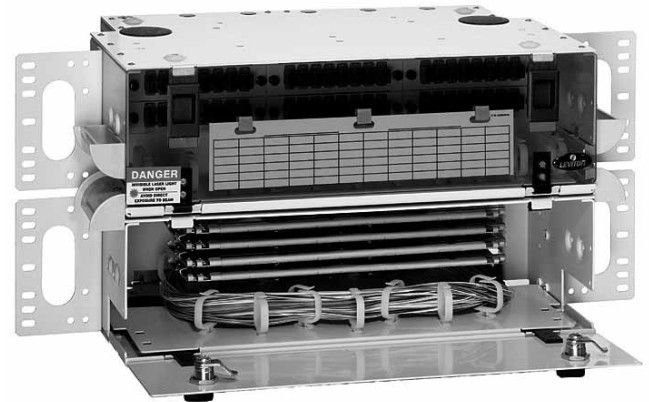
DESIGN CONSIDERATIONS

- Use to protect, manage and organize fiber terminations and splices in a rack-mount environment.
- LGX® compatible.

TYPICAL SPECIFICATION

Optical Distribution & Splice Enclosures shall protect, manage and organize fiber terminations and splices in a rack mount environment. Units shall be LGX® compatible and support legacy systems. Units shall be available in sizes large enough to support up to twelve 12-pack panels. Units shall be available with adapters, pigtails, or preconnectorized cable stubs. Splices and terminations shall be housed in separate sections of the enclosure.

LGX® is a registered trademark of Fitel USA Corp.



NOTE: Above photo is for informational purposes only. Unit may be ordered configured or unconfigured.

DPC-525	
Holds up to 6 Adapter Plates 6-Pack ST or FC = Up to 36 Fibers 8-Pack ST or FC = Up to 48 Fibers 6-Pack Duplex SC or LC = Up to 72 Fibers 6-Pack Quad LC = Up to 144 Fibers	Holds up to 4 Splice Trays Accepts all tray sizes Standard Tray: 4" x 11.75"
DPC-752	
Holds up to 12 Adapter Plates 6-Pack ST or FC = Up to 72 Fibers 8-Pack ST or FC = Up to 96 Fibers 6-Pack Duplex SC or LC = Up to 144 Fibers 6-Pack Quad LC = Up to 288 Fibers	Holds up to 4 Splice Trays Accepts all tray sizes Standard Tray: 4" x 11.75"
DPC-700	
Holds up to 12 Adapter Plates 6-Pack ST or FC = Up to 72 Fibers 8-Pack ST or FC = Up to 96 Fibers 6-Pack SC or LC = Up to 144 Fibers 6-Pack Quad LC = Up to 288 Fibers	Holds up to 6 Splice Trays Accepts all tray sizes Standard Tray: 4" x 11.75"
DPC-105	
Holds up to 12 Adapter Plates 12-Pack SC, ST or FC = Up to 144 Fibers 12-Pack Duplex LC = Up to 288 Fibers	Holds up to 12 Splice Trays Accepts all tray sizes Standard Tray: 4" x 11.75"
DPC-370	
Holds up to 24 Adapter Plates 6-Pack ST or FC = Up to 144 Fibers 8-Pack ST or FC = Up to 192 Fibers 6-Pack Duplex SC or LC = Up to 288 Fibers 6-Pack Quad LC = Up to 576 Fibers	Holds up to 6 Splice Trays Accepts all tray sizes Standard Tray: 4" x 11.75"



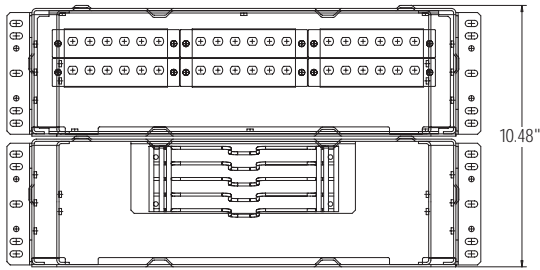
For Technical Support & Customer Service call 1-866-624-0344
 2222 - 222nd St. SE • Bothell, WA 98021 USA Tel: 1-866-624-0344 • Fax: 1-425-483-5270 • Int'l Fax: 1-425-485-9170



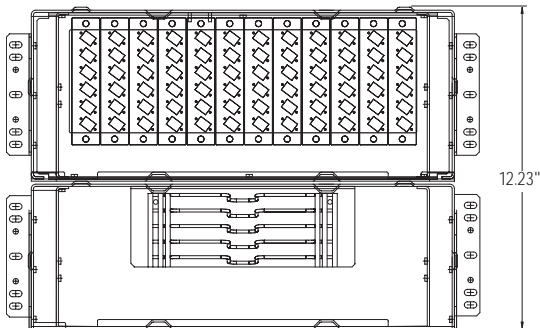
LightSpace™ DPC Series Optical Distribution & Splice Enclosure

Part Numbers
DPC6U-033 DPC7U-043
DPC8U-044 DPC12-***
.....

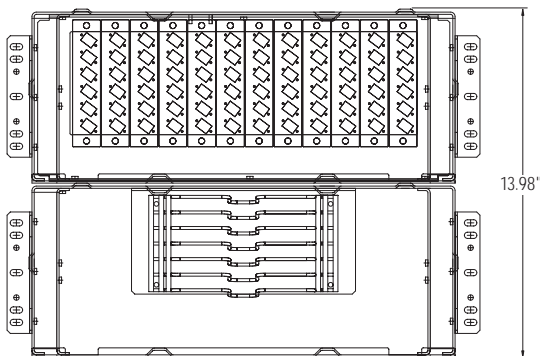
DIMENSIONAL LINE ART



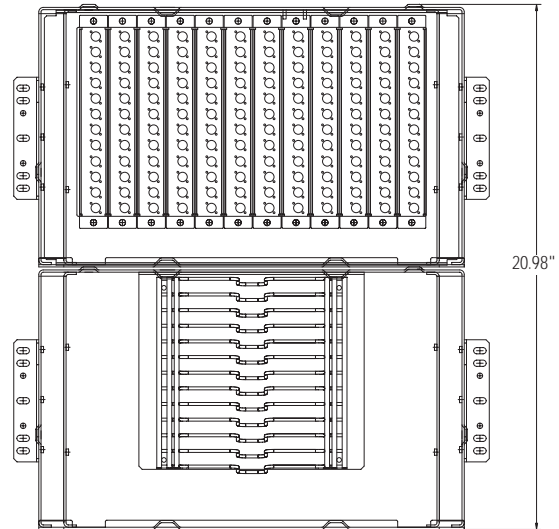
DPC-525



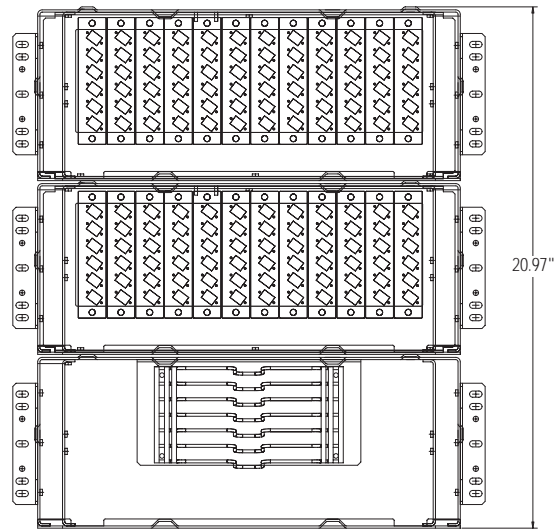
DPC-752



DPC-700



DPC-105



DPC-370

PART NUMBERS

Description	Part No.
DPC-525 Optical Distribution & Splice Enclosure	DPC6U-033
DPC-752 Optical Distribution & Splice Enclosure	DPC7U-043
DPC-700 Optical Distribution & Splice Enclosure	DPC8U-044
DPC-105 Optical Distribution & Splice Enclosure	DPC12-066
DPC-370 Optical Distribution & Splice Enclosure	DPC12-444
Grounding Kit	DPGRD-KIT
Key Lock Kit	DPLOK-KIT
Universal Cable Clamp Kit (.25" - 1.25" Dia)	DPCMP-UNV

NOTE: Part numbers are for unconfigured product.



For Technical Support & Customer Service call 1-866-624-0344
2222 - 222nd St. SE • Bothell, WA 98021 USA Tel: 1-866-624-0344 • Fax: 1-425-483-5270 • Int'l Fax: 1-425-485-9170

