

# WIREMOLD

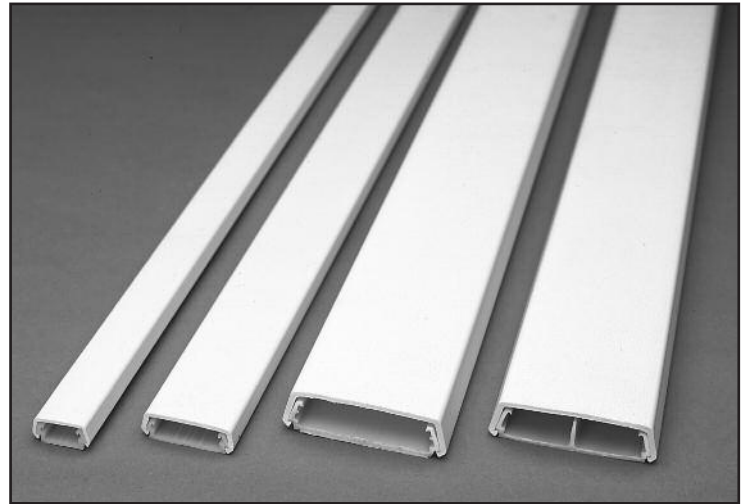
 legrand®

## 400, 800, 2300, 2300D Series™

## Small, Two-Piece, Nonmetallic Raceway Systems


*Ideal for Low Voltage and Power Applications*

The 400, 800, and 2300 Series™ Raceways, from Wiremold/Legrand, are a family of single compartment raceway systems designed for communication or power applications. Ideal for use in classrooms, offices, hotel applications, or anywhere a small, secure, low profile raceway is needed. The 2300BACD Nonmetallic Divided Raceway is ideal for use when power and low voltage cabling are needed in a single raceway.



400, 800, 2300, and 2300D  
Series Raceway Profiles

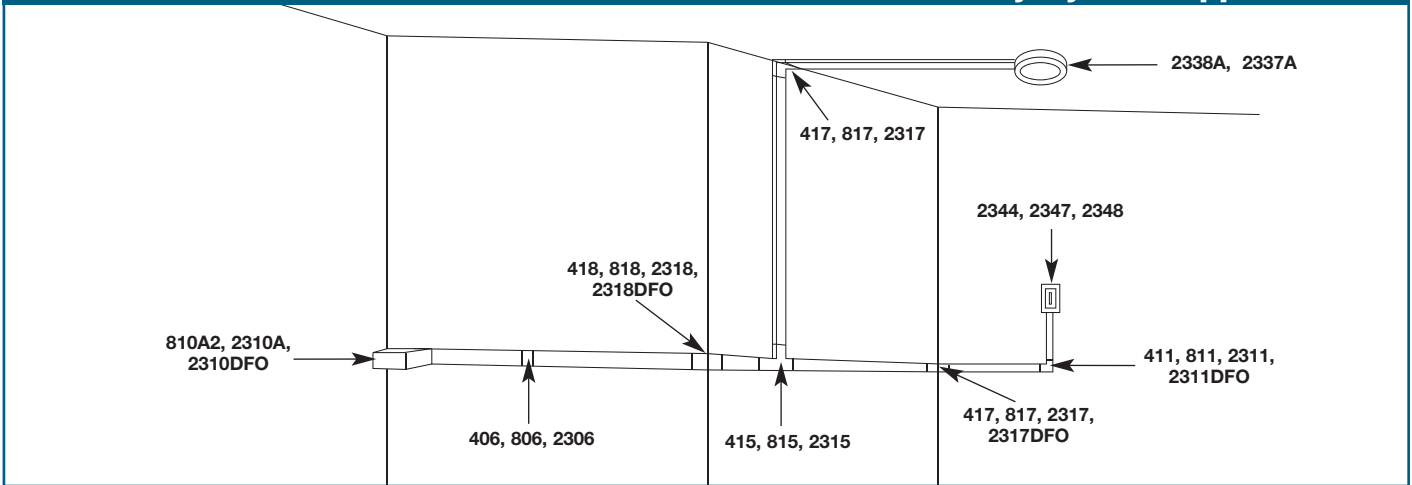
### Features & Benefits

- **Accommodates communication and/or power wiring.** Can be used for communications, computer lines, surveillance systems, fire alarms, outlets, and more.
- **Available in three sizes.** 400BAC, 800BAC, and 2300BAC sizes provide flexibility for meeting a variety of capacity requirements. Perfect for most small drops and horizontal runs to work stations.
- **Durable, textured PVC ivory or white finish.** Blends with any decor. Paintable using latex paint. Consult factory for custom color options.
- **Single- and dual-compartment low profile design.** Provides functionality and flexibility with aesthetics for single- or dual-service applications.
- **Adhesive backing for low voltage (under 50V) applications.** Allows base to be pressed onto mounting surface. Speeds installation.
- **Lightweight and easy to handle.** Saves time and labor costs. Standard 5' [1.525m] raceway lengths can be easily installed by one person. Custom lengths up to 10' [3.05m] are also available.
- **Divided FiberReady® fittings.** For use with 2300BAC and 2300BACD. Full capacity fittings provide 2" [51mm] bend radius.
- **Over-the-raceway box for 2300 and 2300D.** Boxes mount over continuous run of raceway base eliminating the need to cut raceway when locating devices.
- **Sure-Snap® boxes for 2300BACD.** Provides flush look and ease of installation.
- **Snap-on cover.** Provides security with access to wiring for changes or additions.
- **Datacom connectivity options.** Accepts industry standard and proprietary devices from a wide range of manufacturers to provide a seamless and aesthetically pleasing interface for voice, data, audio, and video applications at the point of use.
-  **UL** Listed File E90378 Raceway, E90377 Fittings.

Sold by:



## 400BAC, 800BAC, 2300BAC, 2300BACD Series Raceway System Application



**NOTE:** Illustration shows product applications only. 2315 Tee Fitting cannot be used with 2300BACD Divided Raceway.

### 400BAC, 800BAC, 2300BAC, 2300BACD Raceway Series Wire Fill Capacities for Power

| WIRE SIZE<br>THHN/THWN | O.D.   |       | NUMBER OF CONDUCTORS |        |         |                       |
|------------------------|--------|-------|----------------------|--------|---------|-----------------------|
|                        | Inches | [mm]  | 400BAC               | 800BAC | 2300BAC | 2300BACD <sup>†</sup> |
| 14 AWG                 | 0.111  | [2.8] | 5                    | 6      | 25      | 12                    |
| 12 AWG                 | 0.130  | [3.3] | 3                    | 5      | 18      | 8                     |
| 10AWG                  | 0.164  | [4.2] | 0                    | 4      | 12      | 5                     |

### 400BAC, 800BAC, 2300BAC, 2300BACD Raceway Series Wire Fill Capacities for Communications

|                            | CABLE/WIRE SIZE          | O.D.    |        | 40% FILL* |     |      |                    |
|----------------------------|--------------------------|---------|--------|-----------|-----|------|--------------------|
|                            |                          | inches  | [mm]   | 400       | 800 | 2300 | 2300D <sup>†</sup> |
| UNSHIELDED<br>TWISTED PAIR | 4-Pair, 24 AWG Cat. 3    | 0.190   | [4.8]  | 1         | 3   | 11   | 5                  |
|                            | 4-Pair, 24 AWG Cat. 5e   | 0.210   | [5.3]  | 1         | 3   | 9    | 4                  |
|                            | 4-Pair, 24 AWG Cat. 6    | 0.250   | [6.3]  | 1         | 2   | 6    | 3                  |
|                            | 4-Pair, 24 AWG Cat. 6a** | 0.354   | [9.0]  | 0         | 1   | 3    | 1                  |
|                            | 25-Pair, 24 AWG          | 0.410   | [10.4] | 0         | 0   | 2    | 1                  |
| COAXIAL                    | RG6/U                    | 0.270   | [6.9]  | 0         | 1   | 5    | 2                  |
| FIBER                      | Zip Cord 0.118 x 0.157   | [3 x 6] | 1      | 3         | 12  | 6    |                    |
|                            | Round 4 Strand Fiber     | 0.187   | [4.8]  | 1         | 3   | 12   | 6                  |
|                            | Round 6 Strand Fiber     | 0.256   | [6.5]  | 1         | 2   | 6    | 3                  |

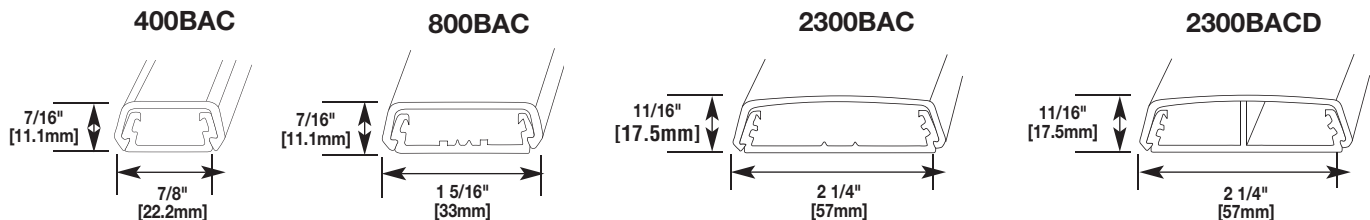
\* Wire capacity is reduced to allow for proper conductor bend radius and maximum permissible heat rise.

\*\* Category 6 augmented (6a) cable for 10 gigabit ethernet – max allowed cable diameter per addenda No. 11 ANSI TIA/EIA 568-B.2.

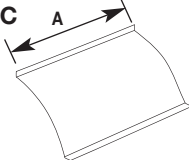
<sup>†</sup> each compartment.

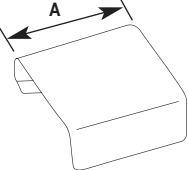
## 400BAC, 800BAC, 2300BAC, 2300BACD Series

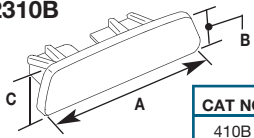
| Catalog No./Item   | Description/Specifications  |
|--|---|
| <b>400BAC</b> 400BAC-WH<br><b>800BAC</b> 800BAC-WH<br><b>2300BAC</b> 2300BAC-WH<br><b>2300BACD</b> 2300BACD-WH | Low profile, two-piece raceway with snap-on cover – Available in 5' [1.525m] length.<br>Supplied with wide adhesive tape along entire length of base. |

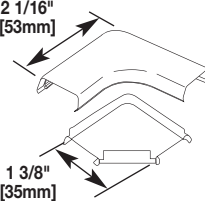


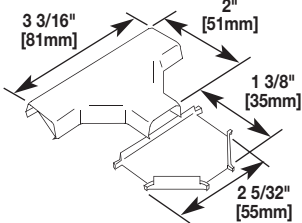
## 400BAC, 800BAC, 2300BAC, 2000BACD Series Fittings

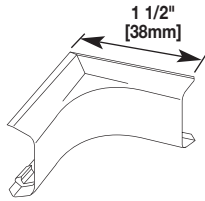
| Catalog No./Item         | Description/Specifications   |         |   |       |               |       |           |        |           |
|--------------------------|--|---------|---|-------|---------------|-------|-----------|--------|-----------|
| 400WC<br>800WC<br>2300WC | <b>Wire Clip</b> – For holding conductors in place. <div style="text-align: center;">  </div> <table border="1" style="margin-left: auto; margin-right: auto;"> <thead> <tr> <th>CAT NO.</th> <th>A</th> </tr> </thead> <tbody> <tr> <td>400WC</td> <td>1/2" [12.7mm]</td> </tr> <tr> <td>800WC</td> <td>1" [25mm]</td> </tr> <tr> <td>2300WC</td> <td>1" [25mm]</td> </tr> </tbody> </table> | CAT NO. | A | 400WC | 1/2" [12.7mm] | 800WC | 1" [25mm] | 2300WC | 1" [25mm] |
| CAT NO.                  | A  |         |   |       |               |       |           |        |           |
| 400WC                    | 1/2" [12.7mm]  |         |   |       |               |       |           |        |           |
| 800WC                    | 1" [25mm]  |         |   |       |               |       |           |        |           |
| 2300WC                   | 1" [25mm]  |         |   |       |               |       |           |        |           |

| 406<br>806<br>2306 | <b>Cover Clip</b> – For covering joint where two pieces of 400BAC, 800BAC or 2300BAC Series Raceway cover come together. <div style="text-align: center;">  </div> <table border="1" style="margin-left: auto; margin-right: auto;"> <thead> <tr> <th>CAT NO.</th> <th>A</th> </tr> </thead> <tbody> <tr> <td>406</td> <td>13/16" [20.6mm]</td> </tr> <tr> <td>806</td> <td>1" [25mm]</td> </tr> <tr> <td>2306</td> <td>2" [51mm]</td> </tr> </tbody> </table> | CAT NO. | A | 406 | 13/16" [20.6mm] | 806 | 1" [25mm] | 2306 | 2" [51mm] |
|--------------------|---|---------|---|-----|-----------------|-----|-----------|------|-----------|
| CAT NO.            | A   |         |   |     |                 |     |           |      |           |
| 406                | 13/16" [20.6mm]   |         |   |     |                 |     |           |      |           |
| 806                | 1" [25mm]   |         |   |     |                 |     |           |      |           |
| 2306               | 2" [51mm]   |         |   |     |                 |     |           |      |           |

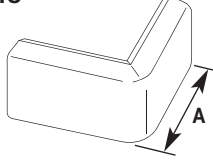
| 410B<br>810B<br>2310B | <b>Blank End Fitting</b> – For closing open end of 400BAC, 800BAC, or 2300BAC Raceway Series. <div style="text-align: center;">  </div> <table border="1" style="margin-left: auto; margin-right: auto;"> <thead> <tr> <th>CAT NO.</th> <th>A</th> <th>B</th> <th>C</th> </tr> </thead> <tbody> <tr> <td>410B</td> <td>13/16" [20.6mm]</td> <td>1/2" [12.7mm]</td> <td>3/8 [9.5mm]</td> </tr> <tr> <td>810B</td> <td>1 1/4" [32mm]</td> <td>1/2" [12.7mm]</td> <td>3/8 [9.5mm]</td> </tr> <tr> <td>2310B</td> <td>2 1/4" [57mm]</td> <td>1" [25mm]</td> <td>3/8 [9.5mm]</td> </tr> </tbody> </table> | CAT NO.       | A           | B | C | 410B | 13/16" [20.6mm] | 1/2" [12.7mm] | 3/8 [9.5mm] | 810B | 1 1/4" [32mm] | 1/2" [12.7mm] | 3/8 [9.5mm] | 2310B | 2 1/4" [57mm] | 1" [25mm] | 3/8 [9.5mm] |
|-----------------------|---|---------------|-------------|---|---|------|-----------------|---------------|-------------|------|---------------|---------------|-------------|-------|---------------|-----------|-------------|
| CAT NO.               | A   | B             | C           |   |   |      |                 |               |             |      |               |               |             |       |               |           |             |
| 410B                  | 13/16" [20.6mm]   | 1/2" [12.7mm] | 3/8 [9.5mm] |   |   |      |                 |               |             |      |               |               |             |       |               |           |             |
| 810B                  | 1 1/4" [32mm]   | 1/2" [12.7mm] | 3/8 [9.5mm] |   |   |      |                 |               |             |      |               |               |             |       |               |           |             |
| 2310B                 | 2 1/4" [57mm]   | 1" [25mm]     | 3/8 [9.5mm] |   |   |      |                 |               |             |      |               |               |             |       |               |           |             |

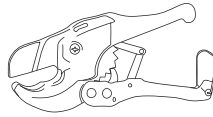
|      |   |
|------|---|
| 411* | <b>90° Flat Elbow</b> – For right angle turns on same surface. <div style="text-align: center;">  </div> |
|------|---|

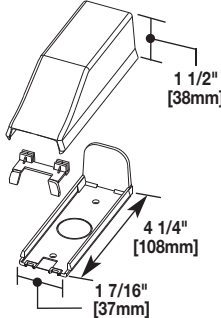
|      |   |
|------|---|
| 415* | <b>Tee</b> – For branches at right angles. <div style="text-align: center;">  </div> |
|------|---|

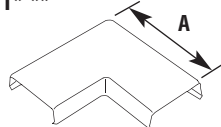
|      |  |
|------|--|
| 417* | <b>Internal Elbow</b> – For surfaces at right angles. <div style="text-align: center;">  </div> |
|------|--|

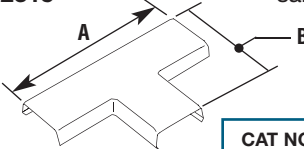
**NOTE:** No suffix denotes ivory finish. Add "-WH" suffix for white finish.  
 \* For 2300BAC and 2300BACD Raceway must be mitered to use 2311 and 2318. 2315 cannot be used in divided raceway.

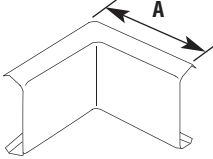
| Catalog No./Item    | Description/Specifications  |         |   |     |              |     |           |      |               |
|---------------------|---|---------|---|-----|--------------|-----|-----------|------|---------------|
| 418<br>818<br>2318* | <b>90° External Elbow</b> – For right angle turns around external corners. <div style="text-align: center;">  </div> <table border="1" style="margin-left: auto; margin-right: auto;"> <thead> <tr> <th>CAT NO.</th> <th>A</th> </tr> </thead> <tbody> <tr> <td>418</td> <td>1 1/2 [38mm]</td> </tr> <tr> <td>818</td> <td>2" [51mm]</td> </tr> <tr> <td>2318</td> <td>2 1/2" [64mm]</td> </tr> </tbody> </table> | CAT NO. | A | 418 | 1 1/2 [38mm] | 818 | 2" [51mm] | 2318 | 2 1/2" [64mm] |
| CAT NO.             | A   |         |   |     |              |     |           |      |               |
| 418                 | 1 1/2 [38mm]  |         |   |     |              |     |           |      |               |
| 818                 | 2" [51mm]   |         |   |     |              |     |           |      |               |
| 2318                | 2 1/2" [64mm]   |         |   |     |              |     |           |      |               |

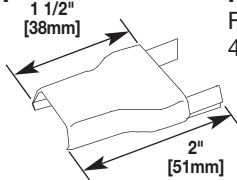
|       |  |
|-------|--|
| PVC-1 | <b>PVC Cutter</b> – Regular duty cutter. Ideal for use with small nonmetallic raceway. <div style="text-align: center;">  </div> |
|-------|--|

|       |   |
|-------|---|
| 810A2 | <b>Entrance End Fitting</b> – For connecting 400 or 800 Series Raceway with 1/2" trade size conduit or armored cable. 1/2" trade size KO on end and bottom. <div style="text-align: center;">  </div> |
|-------|---|

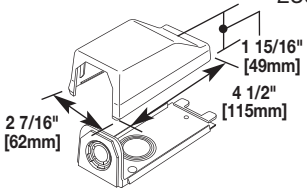
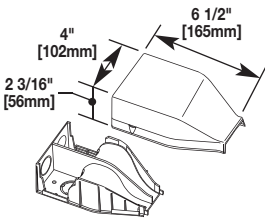
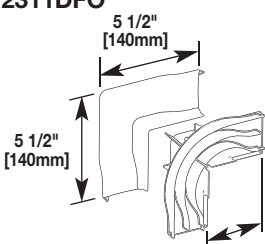
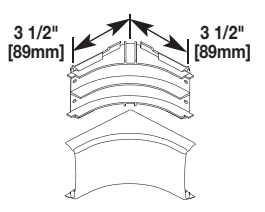
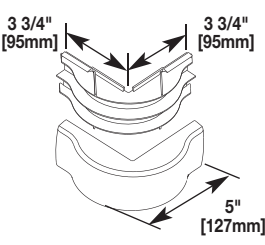
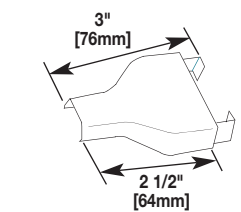
| 811<br>2311* ** | <b>90° Flat Elbow</b> – For right angle turns on same surface. <div style="text-align: center;">  </div> <table border="1" style="margin-left: auto; margin-right: auto;"> <thead> <tr> <th>CAT NO.</th> <th>A</th> </tr> </thead> <tbody> <tr> <td>811</td> <td>2 1/2" [64mm]</td> </tr> <tr> <td>2311</td> <td>4 3/16" [106mm]</td> </tr> </tbody> </table> | CAT NO. | A | 811 | 2 1/2" [64mm] | 2311 | 4 3/16" [106mm] |
|-----------------|---|---------|---|-----|---------------|------|-----------------|
| CAT NO.         | A   |         |   |     |               |      |                 |
| 811             | 2 1/2" [64mm]   |         |   |     |               |      |                 |
| 2311            | 4 3/16" [106mm]   |         |   |     |               |      |                 |

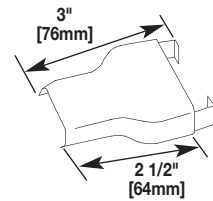
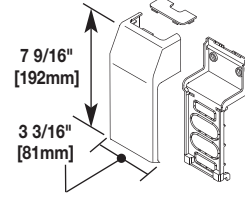
| 815<br>2315* ** | <b>Tee</b> – For right angles turns on same surface. <div style="text-align: center;">  </div> <table border="1" style="margin-left: auto; margin-right: auto;"> <thead> <tr> <th>CAT NO.</th> <th>A</th> <th>B</th> </tr> </thead> <tbody> <tr> <td>815</td> <td>4 1/8" [105mm]</td> <td>2 3/4" [70mm]</td> </tr> <tr> <td>2315</td> <td>6" [152mm]</td> <td>4 1/8" [105mm]</td> </tr> </tbody> </table> | CAT NO.        | A | B | 815 | 4 1/8" [105mm] | 2 3/4" [70mm] | 2315 | 6" [152mm] | 4 1/8" [105mm] |
|-----------------|---|----------------|---|---|-----|----------------|---------------|------|------------|----------------|
| CAT NO.         | A   | B              |   |   |     |                |               |      |            |                |
| 815             | 4 1/8" [105mm]  | 2 3/4" [70mm]  |   |   |     |                |               |      |            |                |
| 2315            | 6" [152mm]  | 4 1/8" [105mm] |   |   |     |                |               |      |            |                |

| 817<br>2317* | <b>Internal Elbow</b> – For surfaces at right angles. <div style="text-align: center;">  </div> <table border="1" style="margin-left: auto; margin-right: auto;"> <thead> <tr> <th>CAT NO.</th> <th>A</th> </tr> </thead> <tbody> <tr> <td>817</td> <td>2" [51mm]</td> </tr> <tr> <td>2317</td> <td>2 1/2" [64mm]</td> </tr> </tbody> </table> | CAT NO. | A | 817 | 2" [51mm] | 2317 | 2 1/2" [64mm] |
|--------------|--|---------|---|-----|-----------|------|---------------|
| CAT NO.      | A  |         |   |     |           |      |               |
| 817          | 2" [51mm]  |         |   |     |           |      |               |
| 2317         | 2 1/2" [64mm]  |         |   |     |           |      |               |

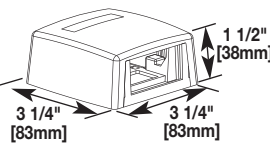
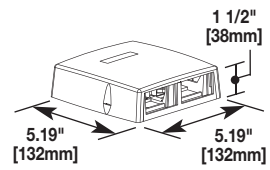
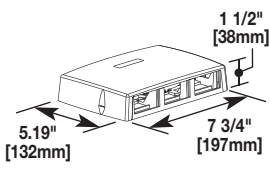
|      |   |
|------|---|
| 889A | <b>Reducing Connector (800-400)</b> – For transitioning from 800 to 400 Series Raceway. <div style="text-align: center;">  </div> |
|------|---|

## 400, 800, 2300, 2300D Series and Communication Boxes

| Catalog No./Item | Description/Specifications   |
|------------------|--|
| 2310A            | <p><b>Entrance End Fitting</b> – 1/2", 3/4", and 1" trade size KOs for feeding 2300 Series Raceway.</p>   |
| 2310DFO          | <p><b>Bend Radius Divided Entrance End Fitting</b> – Divided fitting to feed 2300BAC and 2300BACD Series Raceway. Includes 1/2", 3/4" and 1" trade size KOs on back and top.</p>  |
| 2311DFO          | <p><b>Bend Radius Divided Flat Elbow</b> – A 90° flat corner with integral dividers to provide 2" [51mm] cable bend radius for UTP and fiber optic installations.</p>            |
| 2317DFO          | <p><b>Bend Radius Divided Internal Elbow</b> – A 90° internal corner with integral dividers to provide 2" [51mm] cable bend radius for UTP and fiber optic installations.</p>   |
| 2318DFO          | <p><b>Bend Radius Divided External Elbow</b> – A 90° external corner with integral dividers to provide 2" [51mm] cable bend radius for UTP and fiber optic installations.</p>   |
| 2389             | <p><b>Reducing Connector (2300BAC-800BAC)</b> – For transitioning from 2300BAC to 800BAC Series Raceway.</p>    |

| Catalog No./Item | Description/Specifications  |
|------------------|---|
| 2389A            | <p><b>Reducing Connector (2300BAC-400BAC)</b> – For transitioning from 2300BAC to 400BAC Series Raceway.</p>          |
| 5474             | <p><b>Transition Tap Fitting</b> – Makes transition from 5400 Raceway to 400BAC, 800BAC, 2300BAC Series Raceway.</p>  |

## Communication Boxes

| Catalog No./Item | Description/Specifications   |
|------------------|--|
| CM-MMB-231       | <p><b>One Insert Multimedia Box</b> – Compatible with 400BAC and 800BAC Series Raceway. Accepts Pass &amp; Seymour Activate Inserts and Wiremold Open System Communication Modules.</p>                           |
| CM-MMB-232       | <p><b>Two Insert FiberReady® Multimedia Box</b> – Compatible with 400BAC, 800BAC, and 2300BAC Series Raceway. Accepts Pass &amp; Seymour Activate Inserts and Wiremold Open System Communications Modules.</p>   |
| CM-MMB-233       | <p><b>Three-Insert FiberReady® Multimedia Box</b> – Compatible with 400BAC, 800BAC and 2300BAC Series Raceway. Accepts Pass &amp; Seymour Activate Inserts and Wiremold Open System Communications Modules.</p>  |

**NOTE:** No suffix denotes ivory finish. Add "-WH" suffix for white finish.

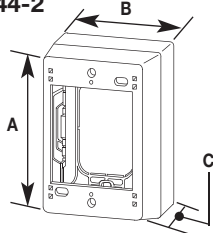
## 400BAC, 800BAC, 2300BAC Series Raceway Sure-Snap® Device Boxes

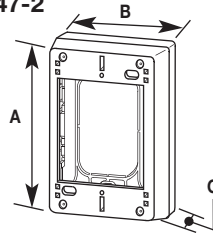
- **Interchangeable covers and bases.** Provides installation flexibility.
- **Large knockout.** Accommodates many cable types and quantities.
- **Cover removes easily.** One twist of a screwdriver removes the cover for fast changes.
- **No screws to assemble.** The secure snap assembly requires fewer tools and parts, which means a shorter installation time.



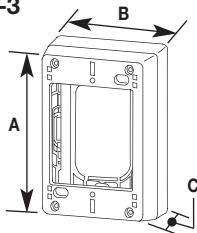
Sure-Snap Device Boxes are available in a variety of sizes and depths.

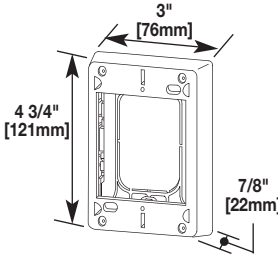
## 400BAC, 800BAC, 2300BAC Series Raceway Sure-Snap® Device Boxes (For Non-Divided Raceways)

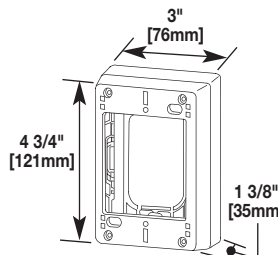
| Catalog No./Item   | Description/Specifications  |                   |                   |                  |   |      |   |                   |              |                  |        |   |                   |                   |                  |  |
|--|---|-------------------|-------------------|------------------|---|------|---|-------------------|--------------|------------------|--------|---|-------------------|-------------------|------------------|--|
| <b>2344</b><br><b>2344-2</b>    | <b>Extra Deep Device Box</b> – 2344 one-gang, 2344-2 two-gang. 2344-2 base has rectangular KO to enable extension from existing single-gang flush wall box and 1/2" and 1" trade size concentric KOs. Accepts NEMA Faceplates |                   |                   |                  |   |      |   |                   |              |                  |        |   |                   |                   |                  |  |
| <table border="1"> <thead> <tr> <th>CAT #</th> <th>GANG(s)</th> <th>A</th> <th>B</th> <th>C</th> </tr> </thead> <tbody> <tr> <td>2344</td> <td>1</td> <td>4 3/4"<br/>[121mm]</td> <td>3"<br/>[76mm]</td> <td>2 3/4"<br/>[70mm]</td> </tr> <tr> <td>2344-2</td> <td>2</td> <td>4.3/4"<br/>[121mm]</td> <td>4 7/8"<br/>[124mm]</td> <td>2 3/4"<br/>[70mm]</td> </tr> </tbody> </table> | CAT #   | GANG(s)           | A                 | B                | C | 2344 | 1 | 4 3/4"<br>[121mm] | 3"<br>[76mm] | 2 3/4"<br>[70mm] | 2344-2 | 2 | 4.3/4"<br>[121mm] | 4 7/8"<br>[124mm] | 2 3/4"<br>[70mm] |  |
| CAT #  | GANG(s)   | A                 | B                 | C                |   |      |   |                   |              |                  |        |   |                   |                   |                  |  |
| 2344   | 1   | 4 3/4"<br>[121mm] | 3"<br>[76mm]      | 2 3/4"<br>[70mm] |   |      |   |                   |              |                  |        |   |                   |                   |                  |  |
| 2344-2   | 2   | 4.3/4"<br>[121mm] | 4 7/8"<br>[124mm] | 2 3/4"<br>[70mm] |   |      |   |                   |              |                  |        |   |                   |                   |                  |  |

| Catalog No./Item   | Description/Specifications   |                   |                   |                  |   |      |   |                   |              |                  |        |   |                   |                   |                  |  |
|--|--|-------------------|-------------------|------------------|---|------|---|-------------------|--------------|------------------|--------|---|-------------------|-------------------|------------------|--|
| <b>2347</b><br><b>2347-2</b>    | <b>Device Box</b> – 2347 one-gang, 2347-2 two-gang. For standard switches and devices. 2347 and 2347-2 Bases have rectangular KO to enable extension from existing flush wall box and 1/2" and 1" trade size concentric KOs. Accepts NEMA Faceplates |                   |                   |                  |   |      |   |                   |              |                  |        |   |                   |                   |                  |  |
| <table border="1"> <thead> <tr> <th>CAT #</th> <th>GANG(S)</th> <th>A</th> <th>B</th> <th>C</th> </tr> </thead> <tbody> <tr> <td>2347</td> <td>1</td> <td>4 3/4"<br/>[121mm]</td> <td>3"<br/>[76mm]</td> <td>1 3/8"<br/>[35mm]</td> </tr> <tr> <td>2347-2</td> <td>2</td> <td>4 3/4"<br/>[121mm]</td> <td>4 7/8"<br/>[124mm]</td> <td>1 3/8"<br/>[35mm]</td> </tr> </tbody> </table> | CAT #  | GANG(S)           | A                 | B                | C | 2347 | 1 | 4 3/4"<br>[121mm] | 3"<br>[76mm] | 1 3/8"<br>[35mm] | 2347-2 | 2 | 4 3/4"<br>[121mm] | 4 7/8"<br>[124mm] | 1 3/8"<br>[35mm] |  |
| CAT #  | GANG(S)  | A                 | B                 | C                |   |      |   |                   |              |                  |        |   |                   |                   |                  |  |
| 2347   | 1  | 4 3/4"<br>[121mm] | 3"<br>[76mm]      | 1 3/8"<br>[35mm] |   |      |   |                   |              |                  |        |   |                   |                   |                  |  |
| 2347-2   | 2  | 4 3/4"<br>[121mm] | 4 7/8"<br>[124mm] | 1 3/8"<br>[35mm] |   |      |   |                   |              |                  |        |   |                   |                   |                  |  |

**NOTE:** No suffix denotes ivory finish. Add “-WH” suffix for white finish. All single-gang bases have a rectangular knockout on the base.

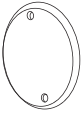


| Catalog No./Item  | Description/Specifications   |                   |                   |                  |   |      |   |                   |              |                  |        |   |                   |                   |                  |        |   |                   |               |                  |  |
|---|--|-------------------|-------------------|------------------|---|------|---|-------------------|--------------|------------------|--------|---|-------------------|-------------------|------------------|--------|---|-------------------|---------------|------------------|--|
| <b>2348</b><br><b>2348-2</b><br><b>2348-3</b>   | <b>Deep Device Box</b> – 2348 one-gang, 2348-2 two-gang, 2348-3 three-gang. For deeper switches and devices. 2348, 2348-2, and 2348-3 Bases have rectangular KO to enable extension from existing flush wall box and 1/2" and 1" trade size concentric KOs. Accepts NEMA Faceplates. |                   |                   |                  |   |      |   |                   |              |                  |        |   |                   |                   |                  |        |   |                   |               |                  |  |
| <table border="1"> <thead> <tr> <th>CAT #</th> <th>GANG(S)</th> <th>A</th> <th>B</th> <th>C</th> </tr> </thead> <tbody> <tr> <td>2348</td> <td>1</td> <td>4 3/4"<br/>[121mm]</td> <td>3"<br/>[76mm]</td> <td>1 3/4"<br/>[35mm]</td> </tr> <tr> <td>2348-2</td> <td>2</td> <td>4 3/4"<br/>[121mm]</td> <td>4 7/8"<br/>[124mm]</td> <td>1 3/4"<br/>[44mm]</td> </tr> <tr> <td>2348-3</td> <td>3</td> <td>4 3/4"<br/>[121mm]</td> <td>7"<br/>[178mm]</td> <td>1 3/4"<br/>[44mm]</td> </tr> </tbody> </table> | CAT #  | GANG(S)           | A                 | B                | C | 2348 | 1 | 4 3/4"<br>[121mm] | 3"<br>[76mm] | 1 3/4"<br>[35mm] | 2348-2 | 2 | 4 3/4"<br>[121mm] | 4 7/8"<br>[124mm] | 1 3/4"<br>[44mm] | 2348-3 | 3 | 4 3/4"<br>[121mm] | 7"<br>[178mm] | 1 3/4"<br>[44mm] |  |
| CAT #   | GANG(S)  | A                 | B                 | C                |   |      |   |                   |              |                  |        |   |                   |                   |                  |        |   |                   |               |                  |  |
| 2348  | 1  | 4 3/4"<br>[121mm] | 3"<br>[76mm]      | 1 3/4"<br>[35mm] |   |      |   |                   |              |                  |        |   |                   |                   |                  |        |   |                   |               |                  |  |
| 2348-2  | 2  | 4 3/4"<br>[121mm] | 4 7/8"<br>[124mm] | 1 3/4"<br>[44mm] |   |      |   |                   |              |                  |        |   |                   |                   |                  |        |   |                   |               |                  |  |
| 2348-3  | 3  | 4 3/4"<br>[121mm] | 7"<br>[178mm]     | 1 3/4"<br>[44mm] |   |      |   |                   |              |                  |        |   |                   |                   |                  |        |   |                   |               |                  |  |

| Catalog No./Item   | Description/Specifications  |
|--|---|
| <b>2348S/51</b>  | <b>Shallow Device Box / Extension Box</b> – For shallow switches and receptacles. Base has rectangular KO. Accepts NEMA Faceplates. |

| Catalog No./Item  | Description/Specifications   |
|---|--|
| <b>2348AMP</b>  | <b>Magnetic Deep Device Box (with Grommet)</b> – For deeper switches and devices. Magnetic backing. Base has rectangular KO. Accepts NEMA Faceplates |



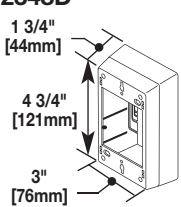
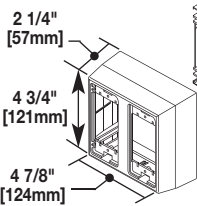
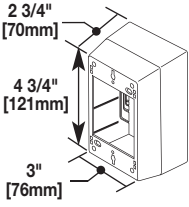
## 400BAC, 800BAC, 2300BAC Series Raceway Round Fixture Boxes for Non-Divided Raceway

| Item  | Description         | Cat. No. | Diameter       | Depth     | Specifications  |
|---|---------------------|----------|----------------|-----------|---|
|  | Blank Cover         | 2336     | 4 1/2" [114mm] | —         | Use with any round nonmetallic device box to convert into junction box.   |
|  | Round Extension Box | 2337A    | 5 1/2" [140mm] | 1" [25mm] | For hanging fixtures, smoke/fire alarms and other security devices with 3 1/2" [89mm] or 4 1/16" [103mm] mounting centers. 5 1/2" [140mm] diameter with open base. Not for use with ceiling fans. |
|  | Fixture Box         | 2338A    | 5 1/2" [140mm] | 1" [25mm] | For hanging smoke/fire alarms and other security devices with 3 1/2" [89mm] or 4 1/16" [103mm] mounting centers. Not for use with ceiling fans.   |

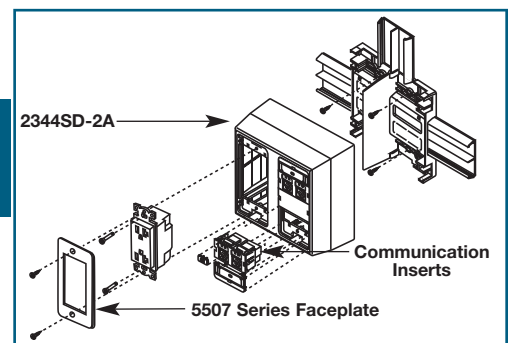
**NOTE:** No suffix denotes ivory finish. Add “-WH” suffix for white finish.

The 2300BAC and 2300BACD Series Divided Raceway Box family provides two unique benefits; labor savings with “over-the-raceway” installation and Sure-Snap® device boxes. The 2348D and 2344D “over-the-raceway” design eliminates cutting the raceway base to mount boxes. The base snaps on anywhere along the raceway. The Sure-Snap integral device box of the 2344SD-2A combines aesthetics with labor savings. 5507 Series Faceplates, Pass & Seymour Activate Inserts, Wiremold Open System Communication Modules and Ortronics Series II and TracJack Modules snap directly into the Sure-Snap Device Box, eliminating the need for additional faceplates. The single-gang boxes accept standard NEMA faceplates.

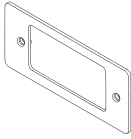
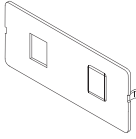
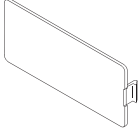
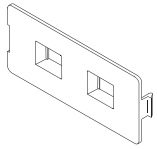
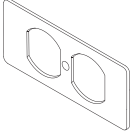
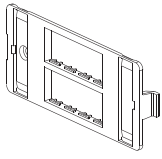
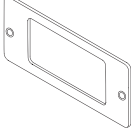
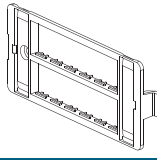
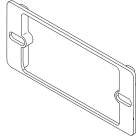
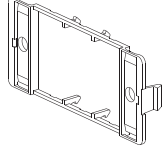
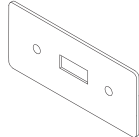
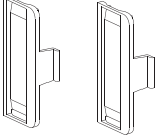
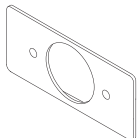
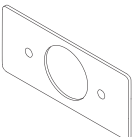
### Sure-Snap® Device Boxes for 2300BACD Divided Series Raceway

| Catalog No./Item  | Description/Specifications   | Catalog No./Item  | Description/Specifications   |
|---|--|---|--|
| <b>2348D</b><br> | <b>Device Box</b> – For use with 2300BACD Divided Raceway. For mounting standard switches, receptacles and industry standard faceplates for communication devices. Accepts NEMA Faceplates.  | <b>2344SD-2A</b><br>  | <b>Two-Gang Deep Divided Box</b> – A divided two-gang box for use with 2300D Series Raceway. Provides the ability to have both power and low voltage at a single point of use. Accepts 5507 Series Faceplates, Ortronics® TracJack & Series II Modules, Pass & Seymour Activate™ Series Inserts, and Wiremold Open System Communication Modules. |
| <b>2344D</b><br> | <b>Extra Deep Device Box</b> – For use with 2300BACD Divided Raceway when additional depth is required. For mounting standard switches, receptacles and industry standard faceplates for communication devices. Accepts NEMA Faceplates. | <p><b>Note:</b> Not for use with NEMA Faceplates. CM-EPLA End Plates are required when using Wiremold Open System communication modules and Pass &amp; Seymour Activate inserts. S2-EPL End Plates are required when using Ortronics Series II inserts. To mount Ortronics TracJack modules, use 5507-4TJ or 5507-6TJ Faceplates.</p> |  |

### 2344SD-2 Over-the-Raceway Box Application



## 5507 Series Faceplates

| Catalog No./Item | Description/Specifications   | Catalog No./Item | Description/Specifications  |
|------------------|--|------------------|---|
| 5507AD           |  <p><b>Modular Furniture Adapter</b> – For mounting Activate modular furniture bezels and other modular furniture adapters. Not for use with rectangular (decorator) style devices.</p> | 5507RJ           |  <p><b>Dual RJ11/RJ45 Connector Faceplate</b> – For mounting one or two RJ type connectors – has one opening and a KO for the other.</p>  |
| 5507B            |  <p><b>Blank Faceplate</b> – For covering unused compartments in the device bracket.</p>  | 5507FRJ          |  <p><b>Flush Dual RJ11/RJ45 Connector Faceplate</b> – Same as 5507RJ except the connectors are recessed to provide a flush installation.</p>  |
| 5507D            |  <p><b>Duplex Receptacle Faceplate</b> – For covering duplex style devices. Accepts 106 Frame.</p>  | 5507-4TJ         |  <p><b>Ortronics® Faceplate</b> – For mounting Ortronics datacom inserts. Accepts four TracJack Devices.</p>  |
| 5507R            |  <p><b>Rectangular Receptacle Faceplate</b> – For covering rectangular decorator style devices.</p>   | 5507-6TJ         |  <p><b>Ortronics® Faceplate</b> – For mounting Ortronics datacom inserts. Accepts six TracJack Devices.</p>   |
| 5507S            |  <p><b>Rectangular Spacer</b> – For mounting commercial device plates. Installs between the device bracket and a device.</p>  | CM-EPLA          |  <p><b>End Plates</b> – Includes two outlet identification labels with clear covers and two matching screw covers. Required for mounting Pass &amp; Seymour Activate™ and Wiremold Open System communication modules into the 2344SD-2A.</p> |
| 5507SW           |  <p><b>Switch Faceplate</b> – For covering standard toggle switches.</p>  | S2-EPL           |  <p><b>End Plates</b> – Includes two outlet identification labels with clear covers and two matching screw covers. Required for mounting Ortronics® Series II modules into the 2344SD-2A.</p>   |
| 5507T1           |  <p><b>Single Receptacle Faceplate</b> – For covering single receptacles – 1.59" [40mm] diameter.</p>   |                  |   |
| 5507T2           |  <p><b>Single Receptacle Faceplate</b> – For covering single receptacles – 1.41" [36mm] diameter.</p>   |                  |   |

**NOTE:** No suffix denotes ivory finish. Add “-WH” suffix for white finish, and “G” for Gray finish. Consult factory for custom colors.

# Datacom Connectivity Options

Now you have a wide range of options for providing datacom connectivity into Wiremold® Cable Management Systems. They are:

- Ortronics® TracJack® and Series II Modular Connectivity Solutions
- Pass & Seymour Activate™ Modular Inserts
- Open System Communication Modules

|      |      |      |
|------|------|------|
| ORT  | ORT  | ORT  |
| P&S  | P&S  | P&S  |
| OPEN | OPEN | OPEN |

Use these icons to determine connectivity options for each Wiremold System component:

|      |
|------|
| ORT  |
| P&S  |
| OPEN |

## Ortronics® Connectivity

### TracJack® Individual Jack System

- Front-loading, snap-in design supports future moves adds and changes
- Inserts for voice, data, audio, and video
- Available Category 3, 5e, 6, USOC 6-position, and other media
- Flat or angled 45° exit configurations
- Choice of 13 colors and color matched to Wiremold Systems
- Universal T568A/B wiring format



### Series II Front-Loading, Module System

- Module design features easy snap-in front-loading design
- Linear 110 punch down format for easy termination
- Inserts for voice, data, audio, and video
- Available Category 3, 5e, 6, USOC 6-position, and other media
- Available in flat or angled 45° exit configurations
- Color matched to Wiremold Systems



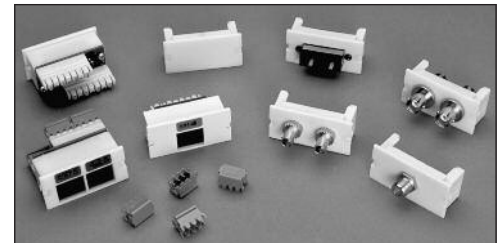
For detailed product selection refer to the Ortronics Catalog or visit [www.ortronics.com](http://www.ortronics.com).

|      |
|------|
| ORT  |
| P&S  |
| OPEN |

## Pass & Seymour Legrand Network Wiring

### Activate™ Series Front-Loading Inserts

- Modular inserts for voice, data, audio and video applications
- Front-load, snap-in design
- Color and texture matched to Wiremold Systems
- Available Category 3, 5e, 6, as well as 6-position USOC
- Universal T568A/B wiring format



For detailed product selection refer to the Pass & Seymour Network Wiring Catalog or visit [www.passandseymour.com](http://www.passandseymour.com).

|      |
|------|
| ORT  |
| P&S  |
| OPEN |

## Open Connectivity Solutions

### Wiremold Open System Communications Modules

- Accommodate a wide range of manufacturers' communications outlets including keystone jacks, as well as proprietary solutions from Avaya (Systimax) and NORDX
- Modules insert into a wide range of Wiremold Systems
- Pre-punched faceplates accept common communication devices



**NOTE:** For more information on integrating connectivity into Wiremold Cable Management Systems contact the Wiremold Applications Engineering Team or your local Wiremold Sales Representative.

# WIREMOLD



**Wiremold/Legrand**  
 U.S. and International:  
 60 Woodlawn Street • West Hartford, CT 06110  
 1-800-621-0049 • FAX 860-232-2062 • Outside U.S. 860-233-6251  
 Canada:  
 570 Applewood Crescent • Vaughan, Ontario L4K 4B4  
 1-800-723-5175 • FAX 905-738-9721

