

Closet Splice Housings (CSH)

A LANscape® Solutions Product

Corning
Cable Systems

Applications

- Provides storage and protection of fiber splices in individually accessible trays
- Rack-mountable, 19-in (48 cm) or 23-in (58 cm) for transition splicing between UL-listed and unlisted cable at building entrance or pigtail splicing

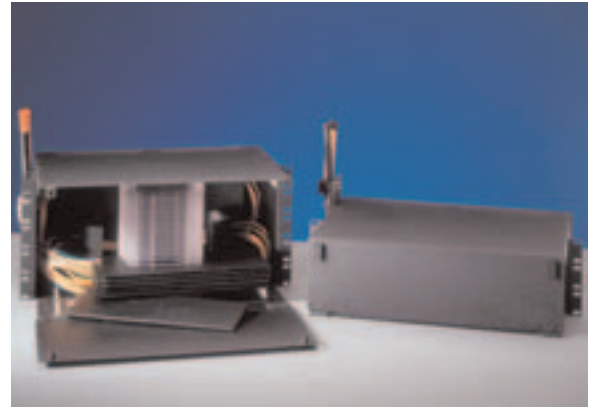
Description

Corning Cable Systems Closet Splice Housings (CSH) are used in equipment racks or equipment cabinets, as well as in the transition splice between outdoor-rated and riser/plenum-rated cable at a building entrance. Pigtail splicing is accomplished when the CSH is used in conjunction with the closet connector housing (CCH).

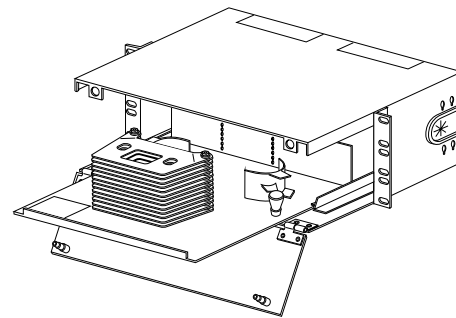
The closet splice housing (CSH) is available in 2-rack-space or 3-rack-space tall and 5-rack-space wide models. The CJH splice housing mounts to the back of the CJP jumper manager and is used to provide splice capabilities without taking up additional rack space.

Features / Benefits

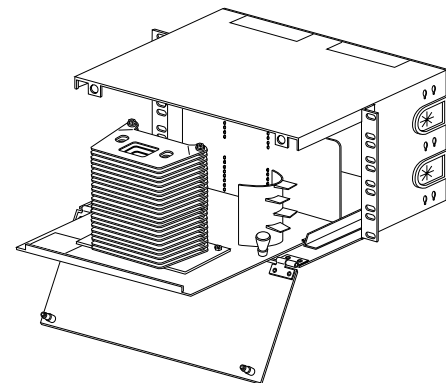
- Cable strain-relief hardware provided including Corning Cable Systems Universal Cable Clamp (UCC)
- 4.5-in projection or flush-mountable
- Open-side design for easy fiber egress
- Sliding shelf provides access to splice trays and routing guides
- Record label provided
- Multiple grommeted cable entry ports
- Top and bottom rear removable access panels for vertical pigtail entry from the CCH housing
- Front and rear doors lockable with optional lock kits
- Brackets included for 19-in (48 cm), brackets for 23-in (58 cm) racks are optional



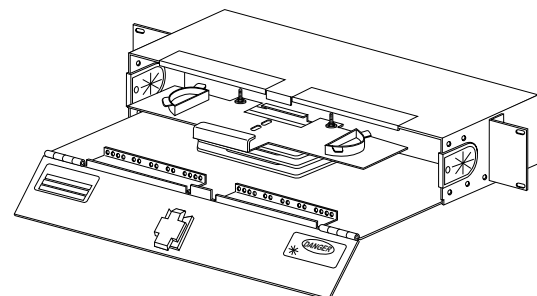
Closet Splice Housings (CSH-05U and CSH-03U) | Photo CPC72



CSH-03U | Drawing CPC-220/5/45



CSH-05U | Drawing CPC-220/5/46



CJH-02U | Drawing ZA-1499

Note: One "U" = One industry-standard rack space of 1.75 inches.



Product Specifications

Closet Splice Housings (CSH)

A LANscape® Solutions Product

Corning
Cable Systems

Specifications

| Part Number | Dimensions (H x W x D) cm (in) | Shipping Weight kg (lb) |
|-------------|-------------------------------------|----------------------------|
| CSH-03U | 13.3 x 43.2 x 30.5 (5.25 x 17 x 12) | 2.7 (6) |
| CSH-05U | 22.2 x 43.2 x 30.5 (8.75 x 17 x 12) | 3.6 (8) |
| CJH-02U | 8.9 x 43.2 x 17.7 (3.5 x 17 x 7) | 1.8 (4) |
| CJH-03U | 13.3 x 43.2 x 17.7 (5.25 x 17 x 7) | 2.3 (5) |

Ordering Information

| Part Number | Description |
|----------------|--|
| CSH-03U | Closet Splice Housing; accepts up to twelve 0.2-in splice trays (Type 2R, 2S or 2M) in three rack spaces (5.25 in)* |
| CSH-03U-F | Closet Splice Housing; accepts up to seven 0.4-in splice trays (Type 4R, 4S or 4A) in three rack spaces (5.25 in)* |
| CSH-05U | Closet Splice Housing; accepts up to twenty-two 0.2-in splice trays (Type 2R, 2S or 2M) in five rack spaces (8.75 in)* |
| CSH-05U-F | Closet Splice Housing; accepts up to fourteen 0.4-in splice trays (Type 4R, 4S or 4A) in five rack spaces (8.75 in)* |
| CJH-02U | Rear-Mounted Closet Splice Housing designed to utilize the open space behind the 2U jumper management panel (CJP-02U)*; accepts up to four 0.2-in splice trays (Type 2R, 2S or 2M) in two rack spaces (3.5 in) |
| CJH-02U-F | Rear-Mounted Closet Splice Housing designed to utilize the open space behind the 2U jumper management panel (CJP-02U)*; accepts up to three 0.4-in splice trays (Type 4R, 4S or 4A) in two rack spaces (3.5 in) |
| CJH-03U | Rear-Mounted Closet Splice Housing designed to utilize the open space behind the 3U jumper management panel (CJP-03U)*; accepts up to eight 0.2-in splice trays (Type 2R, 2S or 2M) in three rack spaces (5.25 in) |
| CDF-03U-23-BKT | Brackets for mounting the CSH-03U or CSH-03U-F on a 23-in rack |
| CDF-05U-23-BKT | Brackets for mounting the CSH-05U or CSH-05U-F on a 23-in rack |

*Splice trays and jumper management panels (CJPs) ordered separately.

Splice Trays

Must be ordered separately.

Jumper Management Panels

Must be ordered separately.



Corning Cable Systems LLC • PO Box 489 • Hickory, NC 28603-0489 USA

1-800-743-2675 • FAX: +1-828-901-5973 • International: +1-828-901-5000 • <http://www.corning.com/cablesystems>

Corning Cable Systems reserves the right to improve, enhance and modify the features and specifications of Corning Cable Systems products without prior notification. LANscape is a registered trademark of Corning Cable Systems Brands, Inc. Discovering Beyond Imagination is a trademark of Corning Incorporated. All other trademarks are the properties of their respective owners. Corning Cable Systems is ISO 9001 certified. © 1999, 2005 Corning Cable Systems. All rights reserved. Published in the USA. LAN-402-EN / June 2005 / pdf



CORNING
Discovering Beyond Imagination

LANscape®
Fiber Cabling Solutions for Premises Networks