



Wiremold

# Sentrex® & Perma Power® Surge Protection Devices

## High Performance, Computer Grade & CabinetMATE® Surge Protectors



Wiremold® Sentrex® High Performance Rack Mount Series and the Perma Power® Computer Grade Rack Mount and CabinetMATE® Surge Protector Series offer a wide range of solutions for communication closet, rack, and cabinet applications. By dissipating and diverting excess voltage, a Sentrex or Perma Power surge protection device keeps your critical systems functioning properly.

Surges can strike once a month or hundreds of times a day. They can penetrate a facility via AC, telephone, and communication lines, or on any wire that enters a building. Surges and noise are also generated inside a building by fluorescent lighting, electric motors, HVAC equipment and office machines. If left unprotected, sensitive communications equipment and valuable data can be damaged or destroyed.

Sentrex and Perma Power rack mount and CabinetMATE surge protectors provide advanced protection for critical electronic and communications equipment. They are an integral part of the Sentrex Zoned Approach to whole building protection.



R8BZ (Front & Back)



R5BZ20 (Front & Back)

### FEATURES & BENEFITS

- **All lines are protected.** Units provide surge protection on all three modes (L-N, L-G, and N-G). Units also have thermal protection on all three lines.
- **600V UL1449 Voltage Protection Rating (VPR).** Outstanding protection against harmful surges.
- **EMI/RFI noise reduction.** Protects against data disruption due to electromagnetic or radio frequency interference.
- **Space saving.** Rack mount units fit standard 19" [482mm] relay racks. Compact 1U design takes up minimum space. 23" [584mm] units available, consult factory.
- **Low profile.** CabinetMATE units offer a narrow 1 1/2" x 1 3/16" [38mm x 20mm] aluminum housing.
- **Aesthetically pleasing.** Rack mount units have a black matte finish and a black cord. CabinetMATE units have a gray finish and a black cord.
- **Cord properly rated to load requirements.** 15A units have a 14/3 SJT cord and a NEMA 5-15P plug. 20A units have a 12/3 SJT cord and a NEMA 5-20P plug.
- **Lighted switch available on some units.**
- **Protection indication.** All units have a protection indication light to show the status of the unit.
- **Resettable circuit breaker.** Provides overload protection.
- **Product warranty.** Sentrex rack mount units come with a lifetime product warranty. Perma Power rack mount and CabinetMATE Series units come with a five-year product warranty. Also includes a connected equipment warranty up to \$30,000.
- **UL and cUL Listed or Recognized.** Rack mount units are UL and cUL recognized to both UL1363 and UL1449, Third Edition. CabinetMATE units are UL and cUL Listed to UL1363 and UL1449, Third Edition.

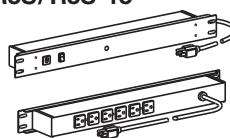



## Sentrex High Performance Surge Protectors

### Sentrex High Performance Surge Protector Specifications

<b>Surge Protection Circuitry</b>	3 element, 3 stage hybrid circuit
<b>UL1449 Voltage Protection Rating</b>	600 Volts
<b>Maximum Surge Current</b>	56,000 Amps (32,000 Amps L-N, 12000 Amps L-G, 12000 Amps N-G)
<b>Noise Reduction</b>	+50 dB
<b>Response Time</b>	Less than 1 nanosecond
<b>Product Warranty</b>	Lifetime
<b>Connected Equipment Warranty</b>	\$30,000

### Sentrex High Performance Surge Protector Ordering Information

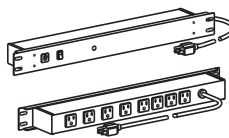

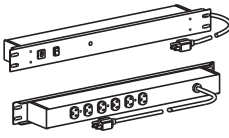

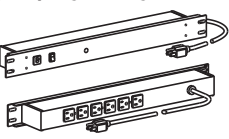

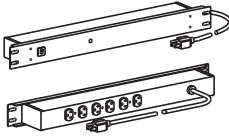

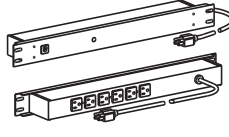

Catalog No./Item	Description/Specifications
<b>R5S/R5S-15</b> 	<b>High Performance Surge Protector</b> – Six rear outlets, lighted switch. 6' [1.8m] or 15' [4.6m] cord. 

## Perma Power Computer Grade Surge Protectors

### Perma Power Computer Grade Surge Protector Specifications

<b>Surge Protection Circuitry</b>	Single Stage
<b>UL1449 Voltage Protection Rating</b>	600 Volts
<b>Maximum Surge Current</b>	36,000 Amps (12,000 Amps L-N, 12,000 Amps L-G, 12,000 Amps N-G)
<b>Noise Reduction</b>	+35 dB
<b>Response Time</b>	Less than 1 nanosecond
<b>Product Warranty</b>	5-Year
<b>Connected Equipment Warranty</b>	\$10,000

### Perma Power Computer Grade Surge Protector Ordering Information







Catalog No./Item	Description/Specifications	Catalog No./Item	Description/Specifications
<b>R8BZ/R8BZ-15</b> 	<b>Computer Grade Surge Protector</b> – Eight rear outlets, lighted switch. Receptacles rotated 90° and 4 outlets spaced to accommodate transformers. 6' [1.8m] or 15' [4.6m] cord. 	<b>R5BZ20/R5BZ20-15</b> 	<b>20A Computer Grade Surge Protector</b> – Six 20A rear outlets. On/off switch. 6' [1.8m] or 15' [4.6m] cord. 
<b>R5BZ/R5BZ-15</b> 	<b>Computer Grade Surge Protector</b> – Six rear outlets, lighted switch. 6' [1.8m] or 15' [4.6m] cord. 	<b>R5BZ20X/R5BZ20X-15</b> 	<b>20A Computer Grade Surge Protector</b> – Six 20A rear outlets. 6' [1.8m] or 15' [4.6m] cord. 
<b>R5BZX/R5BZX-15</b> 	<b>Computer Grade Surge Protector</b> – Six rear outlets. 6' [1.8m] or 15' [4.6m] cord. 		

# CabinetMATE Surge Protectors

## CabinetMATE Surge Protector Specifications

<b>Surge Protection Circuitry</b>	Single Stage
<b>UL1449 Voltage Protection Rating</b>	600 Volts
<b>Maximum Surge Current</b>	36,000 Amps (12,000 Amps L-N, 12,000 Amps L-G, 12,000 Amps N-G)
<b>Noise Reduction</b>	+35 dB
<b>Response Time</b>	Less than 1 nanosecond
<b>Product Warranty</b>	5-Year

## 15A CabinetMATE Surge Protector Ordering Information

Catalog No./ Item	Description/ Specifications	Catalog No./ Item	Description/ Specifications	Catalog No./ Item	Description/ Specifications
4810BCS/ 4810BDS	<p><b>CabinetMATE Surge Protector</b> – Ten outlets. 6' [1.8m] or 15' [4.6m] cord. Length 48" [1.2m].</p>  	7011BCS/ 7011BDS	<p><b>CabinetMATE Surge Protector</b> – Eleven outlets. 6' [1.8m] or 15' [4.6m] cord. Length 70" [1.8m].</p>  	7712BCS/ 7712BDS	<p><b>CabinetMATE Surge Protector</b> – Twelve outlets. 6' [1.8m] or 15' [4.6m] cord. Length 77" [2m].</p>  

### WHY DON'T WE SPECIFY JOULES?

The Joule rating does not provide an accurate indication of the robustness of a surge suppressor. The Joule rating is energy over time and it is very easy to artificially inflate the Joule rating by changing the time base. The Institute of Electrical and Electronics Engineers (IEEE) as well as the National Electrical Manufacturers Association (NEMA) both warn against using Joules to compare surge suppressors.

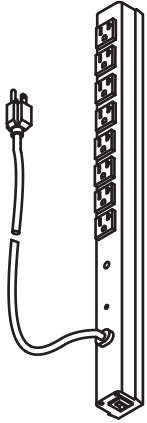







A much better indication of the robustness of a surge suppressor is the Nominal Discharge Current ( $I_n$ ). The Nominal Discharge Current is a rating of the current surge current the surge suppressor can handle for 15 surges and still remain functional. This rating is independently verified by Underwriters Laboratories (UL) and the rating is required to be marked on the surge suppressor.

In fact, UL requires that the surge suppressor must have an  $I_n$  rating of 3kA or it is not suitable for installation closer than 30 feet [10m] from the service entrance. All of our surge suppressors have an  $I_n$  rating of 3kA and can be used anywhere in the building.

When comparing surge suppressors, don't be fooled by the Joule game. Look for an  $I_n$  rating of 3kA to be sure you are getting the best in surge suppression.

## CabinetMATE Surge Protectors (continued)

### 20A CabinetMATE Surge Protector Ordering Information

Catalog No.: 2008BCS20R/2008BDS20R	Catalog No.: 4810BCS20R/4810BDS20R	Catalog No.: 7011BCS20R/7011BDS20R	Catalog No.: 7712BCS20R/7712BDS20R
<p><b>Description/ Item Specifications:</b> 20A CabinetMATE Surge Protector – Eight 20A outlets with t-slots. 6' [1.8m] or 15'. Length: 20" [508mm].</p>  	<p><b>Description/ Item Specifications:</b> 20A CabinetMATE Surge Protector – Ten 20A outlets with t-slots. 6' [1.8m] or 15' [4.6m] cord. Length: 48" [1.2m].</p>  	<p><b>Description/ Item Specifications:</b> 20A CabinetMATE Surge Protector – Eleven 20A outlets with t-slots. 6' [1.8m] or 15' [4.6m] cord. Length: 70" [1.8m].</p>  	<p><b>Description/ Item Specifications:</b> 20A CabinetMATE Surge Protector – Twelve 20A outlets with t-slots. 6' [1.8m] or 15' [4.6m] cord. Length: 77" [2m].</p>  

**NOTE:** For surge specifications of these CabinetMate products, refer to the CabinetMate Surge Protector Specifications listed on the previous page.

**Questions? Call Technical Support today at 1-800-SENTREX.**



**Wiremold**

**WIREMOLD**

**U.S. and International:**

60 Woodlawn Street • West Hartford, CT 06110  
1-800-621-0049 • FAX 860-232-2062 • Outside U.S. 860-233-6251

**Canada:**

570 Applewood Crescent • Vaughan, Ontario L4K 4B4  
1-800-723-5175 • FAX 905-738-9721

