

Dual-Channel Nonmetallic Raceway System

CableSmart 40N2 Series Raceway is a large capacity nonmetallic raceway system that offers separate channels for power and communications cabling within a single cover.

With its tamper-resistant design, the 40N2 Series Raceway is an ideal solution for schools, office settings, or any installation where greater security is a requirement.



40N2 Series Raceway featuring
40N2F31 Device Bracket.

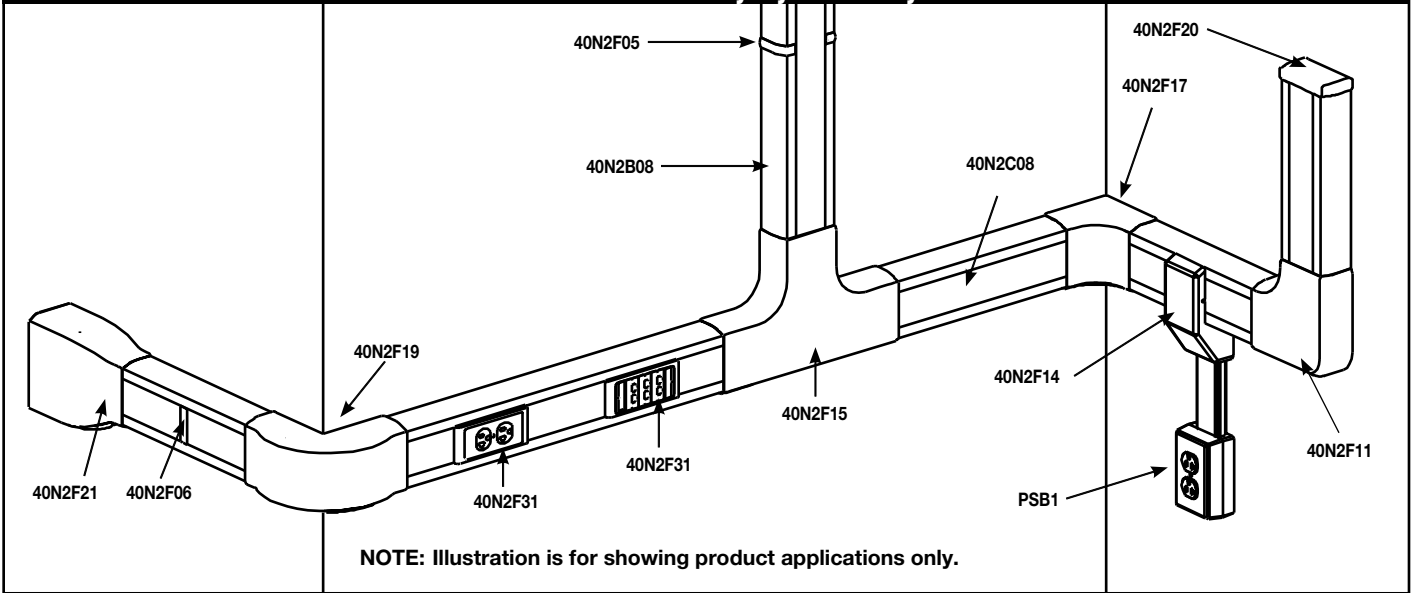
FEATURES & BENEFITS

- **Extremely tamper-resistant.** Perfect for school applications or anywhere additional security is a priority.
- **2" (51mm) bend radius compliant fittings.** These fittings snap onto overlap raceway base and cover for an aesthetic installation. Fittings are cULus verified for a 2" (51mm) bend radius and exceed the recommendations of TIA/EIA-569. They provide cable protection in lay-in and pull-through cable installations.
- **Available prewired.** Manufactured to job site lengths, raceway comes completely prewired, ready to install. Jobs can be packaged by area, floor, or building and shipped per job site requirements.
- **Electrical device identification for prewired jobs.** Eliminates guesswork and circuit tracking to speed additions and renovations.
- **Pre-punched mounting holes.** Faster and easier installation.
- **Ivory and white finish.** Blends with any decor. Paintable using latex paint.
- **New transition fitting options.** Used to transition to PN03, PN05 and PN10 Series Latching Raceways.
- **Made of PVC material.** Lightweight and easy to cut.
- **High capacity device box options.** 40N2F55 C-Box allows both power and data devices to be installed in the power channel, greatly increasing cable fill capacity for data cabling.
- **Corner drop feed.** Provides solution for feeding horizontal runs of raceway.
- **Datacom connectivity options.** Accepts industry standard and proprietary devices from a wide range of manufacturers to provide a seamless and aesthetically pleasing interface for voice, data, audio, and video applications at the point of use.
- **UL and cUL Listed component raceways.** File E90378 Guide RJTX, Fittings: File E90377 Guide RJYT. Meets Article 388 of NEC and meets Section 12-600 of CEC.



Download this product's PEP ecopassport® environmental product declaration at www.legrand.us/resources-and-downloads. This declaration conforms with ISO 14025 and 14040 and is in alignment with EN 15804.

40N2 Series Raceway System Layout



40N2 Series Raceway Wire Fill Capacities

40N2 RACEWAY WIRE FILL CAPACITIES FOR POWER

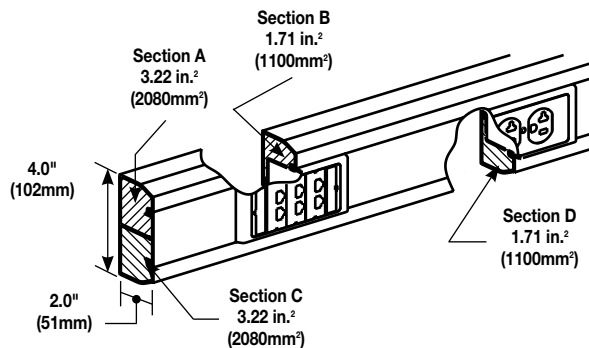
	WIRE SIZE THHN/THWN	O.D.		NUMBER OF CONDUCTORS		MAX. NUMBER OF CONDUCTORS BOTH COMPARTMENTS
		Inches	(mm)	Comp. A	Comp. B	
Power Wiring With or Without Devices	14 AWG	0.111	(2.8)	20	20	28
	12 AWG	0.130	(3.3)	18	18	36
	10 AWG	0.164	(4.2)	17	17	24
	8 AWG	0.216	(5.5)	15	15	20
	6 AWG	0.254	(6.5)	5	5	10

40N2 RACEWAY WIRE FILL CAPACITIES FOR DATA/COMMUNICATIONS

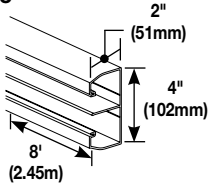
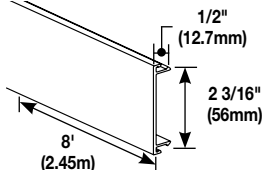
CABLE TYPE	CATEGORY/ DESIGNATION	O.D.		Section C	Section D
		Inches	(mm)	40% Fill*	40% Fill*
UNSHIELDED TWISTED PAIR	4-pair, 24 AWG Cat 3	0.190	(4.8)	45	24
	4-pair, 24 AWG Cat 5e	0.210	(5.3)	37	19
	4-pair, 24 AWG Cat 6	0.250	(6.3)	26	13
	4-pair, 24 AWG Cat 6a**	0.354	(9.0)	13	6
	25-pair, 24 AWG	0.410	(10.4)	9	5
COAXIAL	RG6/U	0.270	(6.9)	22	11
FIBER	ZipCord	0.118 x 0.236	(3 x 6)	103	55
	Round 4 Strand	0.187	(4.8)	46	24
	Round 6 Strand	0.256	(6.5)	25	13

* 40% cable fill is the maximum designed cable fill based on TIA/EIA 569-A.

** Category 6 augmented (6a) cable for 10 gigabit ethernet – max allowed cable diameter per addenda No. 11 ANSI TIA/EIA 568-B.2.

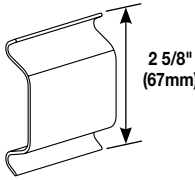
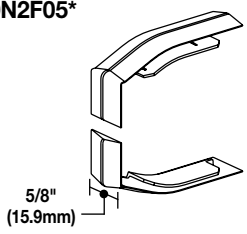
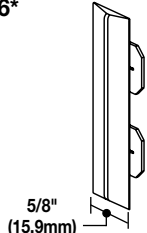
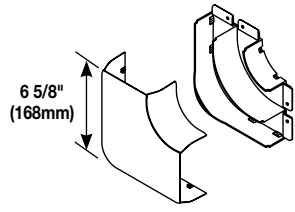
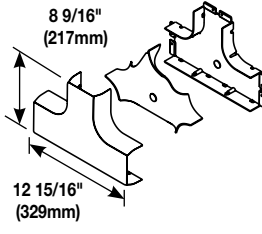
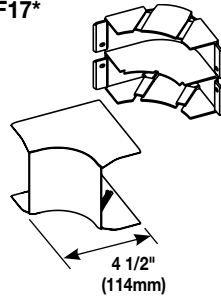
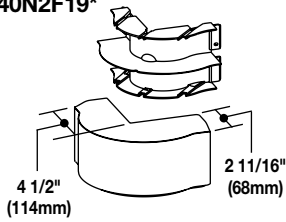
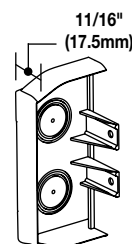


40N2 Series Raceway Profile

Catalog No./Item	Description/Specifications
40N2B08* 	Two-Compartment Base – Two equal compartments. Use with 40N2 Cover only. 40N2B08 available in 8' (2.4m) lengths with pre-punched mounting holes.
40N2C08* 	Full Width Cover – Use with 40N2B08 Base. 40N2C08 available in 8' (2.4m) lengths.

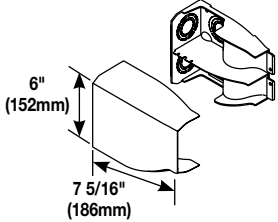
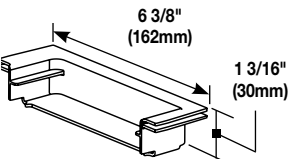
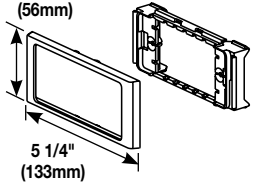
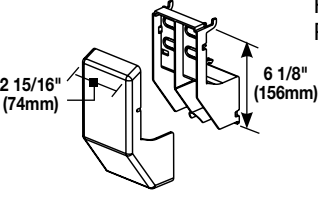
*Add "V" suffix for Ivory finish or "WH" suffix for White finish.

40N2 Series Raceway Fittings

Catalog No./Item	Description/Specifications
40N2FWC 	Wire Clip – Used to retain cables in raceway during installation.
40N2F05* 	Base Clip – Covers seam where two lengths of 40N2B08 Raceway Base come together.
40N2F06* 	Cover Clip – Covers seam where lengths of 40N2C08 Cover come together.
40N2F11* 	2" (51mm) Bend Radius Full Capacity Flat Elbow – 90° flat corner with integral dividers to provide 2" (51mm) full capacity bend radius control for UTP and fiber optic installations. Ideal for lay-in or pull-through installations.
40N2F15* 	2" (51mm) Bend Radius Full Capacity Tee – Branches raceway at right angles. Provides separation of services and 2" (51mm) full capacity bend radius control for UTP and fiber optic installations.
40N2F17* 	2" (51mm) Bend Radius Full Capacity Internal Elbow – 90° internal corner with integral dividers. Provides 2" (51mm) full capacity bend radius control for UTP and fiber optic installations. Ideal for lay-in or pull-through installations.
40N2F19* 	2" (51mm) Bend Radius Full Capacity External Elbow – 90° external corner with integral dividers. Provides 2" (51mm) full capacity bend radius for UTP and fiber optic installations. Ideal for lay-in or pull-through applications.
40N2F20* 	Blank End Fitting – Closes off runs of CableSmart 40N2 Series Raceway. Can be used to feed raceway using 1/2" or 3/4" trade size conduit. Holes for conduit must be drilled.

*Add "V" suffix for Ivory finish or "WH" suffix for White finish.

40N2 Series Raceway Fittings

Catalog No./Item	Description/Specifications	Catalog No./Item	Description/Specifications
40N2F21* 	Divided Entrance End Fitting – Divided fitting to feed 40N2 Series Raceway. Includes 3/4", 1", 1 1/4", and 1 1/2" trade size KOs on back and top.	40N2F55 	High Capacity Device Box – Required for mounting power or datacom devices into a divided raceway application. Use one per device location.
40N2F31* 	Twin Cover Device Bracket – Use for power or communications devices in a single compartment. Accepts 5507 Series Faceplates. For use with: Ortronics TracJack Individual Jack System, Ortronics Series II Front-Loading, Module System, Pass & Seymour Activate Series Front-Loading Inserts, and Wiremold CM2 Series Open System Communication Modules.	40N2F74* 	Divided Transition Fitting – Makes transition from 40N2 Series Raceway to PN03, PN05, and PN10 Series Raceways.

NOTE: CM-EPLA End Plates are required when using Wiremold communication modules and Pass & Seymour inserts. S2-EPL End Plates are required when using Ortronics Series II inserts. To mount Tracjack inserts, use 5507-4TJ or 5507-6TJ Faceplates.

*Add "V" suffix for Ivory finish or "WH" suffix for White finish.

TRANSITION FITTINGS TO EXISTING WIRING OR OTHER WIREMOLD RACEWAYS

CONNECTION REQUIRED		CAT. NO.
FROM	TO	
1/2" or 3/4" trade size conduit or armored cable	40N2	40N2F20
3/4", 1", 1 1/4" & 1 1/2" trade size conduit or armored cable	40N2	40N2F21
40N2 Series Raceway	PN03, PN05, PN10, PN20	40N2F74

5507 Series Faceplates

Catalog No./Item	Description/Specifications	Catalog No./Item	Description/Specifications
5507AD*	Modular Furniture Adapter – Mounts Activate modular furniture bezels and other modular furniture adapters. Not for use with rectangular (decorator) style devices.	5507FRJ*	Flush Dual RJ11/RJ45 Faceplate – Same as 5507RJ except the connectors are recessed to provide a flush installation.
5507B*	Blank Faceplate – Covers unused compartments in device brackets.	5507-4TJ*	Ortronics® Faceplate – Mounts Ortronics datacom inserts. Accepts four Ortronics TracJack Devices.
5507D*	Duplex Faceplate – Covers duplex style devices. Accepts 106 Frame.	5507-6TJ*	Ortronics® Faceplate – Mounts Ortronics datacom inserts. Accepts six Ortronics TracJack Devices.
5507R*	Rectangular Faceplate – Covers rectangular style devices.	CM-EPLA*	End Plates – Includes two outlet identification labels with clear covers and two matching screw covers. Required for mounting Pass & Seymour Activate and Wiremold CM2 Series Open System communication modules into 40N2 Series device brackets.
5507S*	Rectangular Spacer – Mounts commercial device plates. Installs between the device bracket and the device.	S2-EPL*	End Plates – Includes two outlet identification labels with clear covers and two matching screw covers. Required for mounting Ortronics Series II modules into 40N2 Series device brackets.
5507SW*	Switch Faceplate – Covers standard toggle switches.	CM-ARA*	Angled Raceway Adapter – For use with multi-channel raceway device brackets and WallSource device mounting brackets. Angled exit provides additional mounting depth required for A/V connections as well as ensuring the required bend radius for UTP and fiber optic cabling. Holds two CM2 Series modules or two Pass & Seymour® 2A inserts. Fits 5507 Series Faceplate opening.
5507T1*	Single Receptacle Faceplate – Covers single receptacles – 1.59" (40.4mm) diameter.	ARA-S2*	Angled Raceway Adapter – For use with multi-channel raceway device brackets and WallSource device mounting brackets. Angled exit provides additional mounting depth required for A/V connections as well as ensuring the required bend radius for UTP and fiber optic cabling. Holds two Ortronics® Series II modules. Fits 5507 Series Faceplate opening.
5507T2*	Single Receptacle Faceplate – Covers single receptacles – 1.41" (35.8mm) diameter.		
5507RJ*	Dual RJ11/RJ45 Connector Faceplate – Mounts one or two RJ keystone type connectors – has one opening and a KO for the other.		

NOTE: All face plates have a standard measurement of 4 1/4" x 1 7/8" (108mm x 34mm).

* Add "V" suffix for Ivory finish or "WH" suffix for White finish.

NOTES



Electrical Wiring Systems

60 Woodlawn Street
West Hartford, CT 06110
Phone: 1.877.BY.LEGRAND (295-3472)
www.legrand.us

570 Applewood Crescent
Vaughan, Ontario L4K 4B4
Phone: 905.738.9195
www.legrand.ca

