

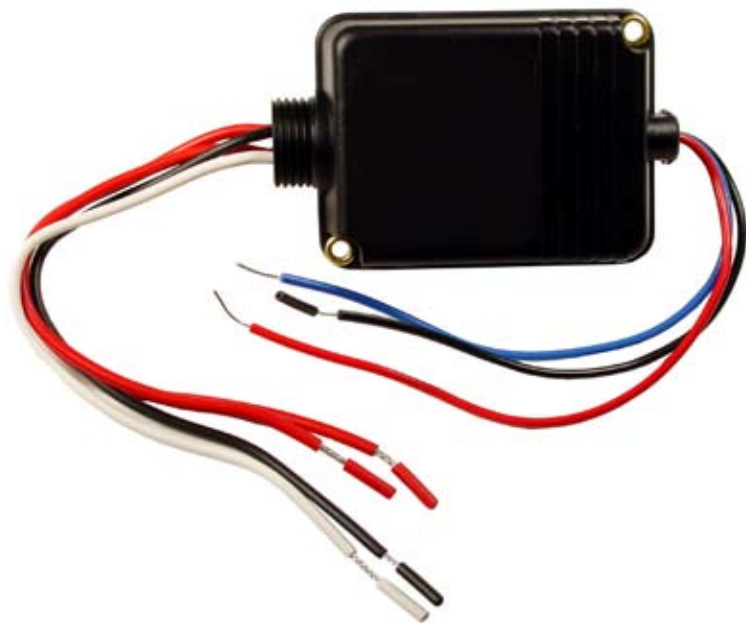
H-MOSS[®] Occupancy Sensors

Control Units - CU300A Universal Control Unit

HUBBELL



The CU300A Universal Control Unit automatically detects the line voltage input within the 120-277V range, eliminating the need for voltage specific control units. It contains an internal relay for the control of an external lighting load and is designed for use with low voltage 24V DC occupancy sensors. This control unit features Zero Arc Point Switching, which minimizes relay-contact wear from high inrush loads, and is capable of switching 20A loads. The CU300A can power 1-4 sensors or 3 sensors and 1 AAR (Add-A-Relay) for multiple circuits. It is plenum rated and mounts inside or outside a junction box or inside a fluorescent fixture ballast cavity.



Key Features

- Universal Voltage- 120V-277V AC, 50/60Hz
- Regulated 24V DC, 150mA Output Current
Short Circuit Protected
- Zero Arc Point Switching
- Plenum Rated
- Works with Complete Line of Hubbell H-MOSS[®] Ceiling and Wall Mount Sensors
- UL and cUL Listed
- 5 Year Limited Warranty

Features and Benefits

Features

Universal Voltage- 120-277V AC

Benefits

One control unit for all your needs. Allows you to service multiple applications with one control unit. Replaces CU120A, CU230A and CU277A.

Automatic Voltage Detection

Eliminates the need for specialized wiring, wiring is the same for all applications. The CU300A automatically detects which voltage is being used.

Zero Arc Point Switching

Minimizes relay contact wear associated with high inrush loads.

Plenum Rated

Complies with requirements for use in a compartment handling conditioned air (plenum).

Mounting Options

Easily mounts inside or outside a junction box or inside a fluorescent fixture ballast cavity.



Control Units



Hubbell CU300A provides a 24V DC power supply for 1 to 4 sensors or sensor/ Add-A-Relay combinations. The control unit contains an internal relay for the control of an external lighting load. Control unit is plenum rated.



CU300A

Description

120-277V AC, 50/60 Hz for use with ATD, ATU & ATP series ceiling sensors and wall mount sensors

Catalog Number

CU300A

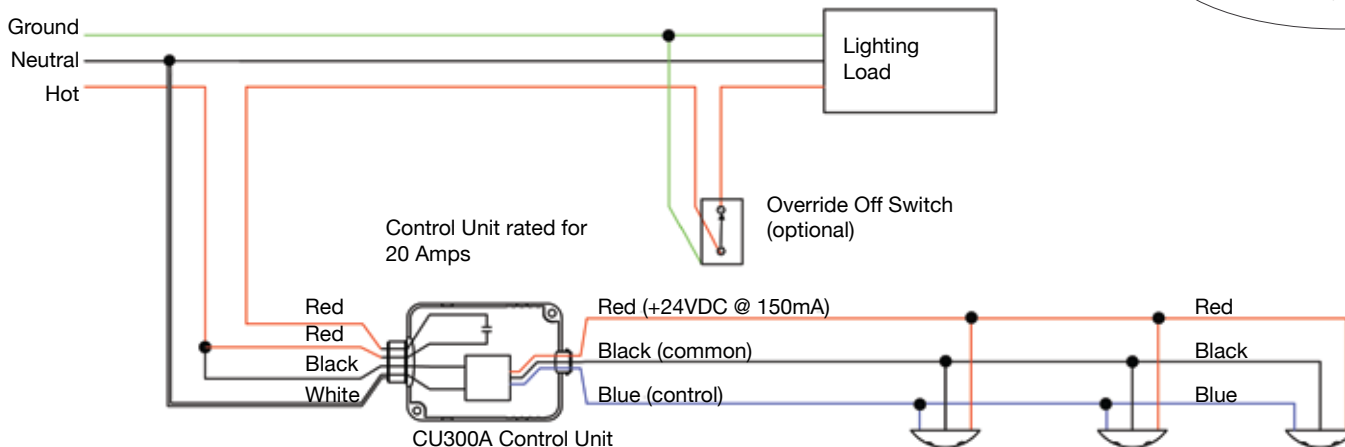
Specifications

Power Requirements	100-277V AC, 50/60Hz
Output	24V DC, 150mA nominal, isolated and regulated
Relay Contact Rating	20A, 120V AC incandescent: 0 to 1800 watts; 20A, 120V AC ballast: 0 to 2400 watts; 277V AC ballast: 0 to 5540 watts; 1HP, 120 or 277V AC motor load
Plenum Rated	Complies with requirements for use in a compartment handling conditioned air (plenum) Plenum rated for external junction box mounting
Construction	High impact, UL 94-5V plastic
Operating Environment	Indoor use only Operating temperature: 32° - 104°F (0° - 40°C); 0% to 95% relative humidity, non-condensing
Size	3.69"L x 2.33"W x 1.36"H (93.7mm x 59.2mm x 34.5mm)
Color	Black
Certifications	UL and cUL Listed
Warranty	5 year limited

Wiring Diagram

Single Circuit:

1 to 4 sensors or 3 sensors and 1 AAR.



For use with ATD, ATU and ATP Series ceiling and wall mount sensors.