

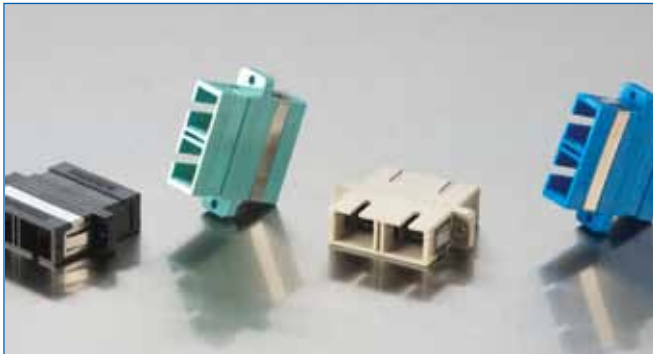
# Fiber Optic Adapters/Interconnect Sleeves

A LANscape®  
Solutions Product

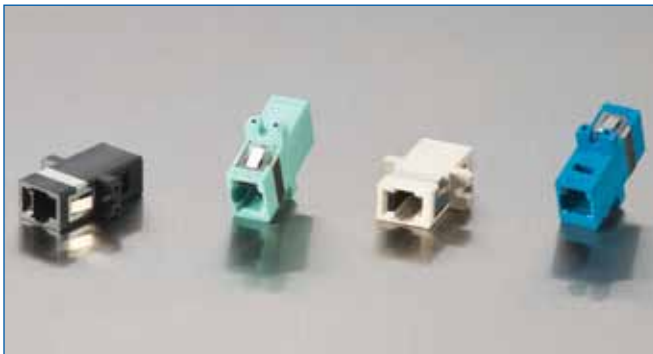
## features and benefits |

<b>Variety of colors</b>	TIA/EIA-568-B.3
<b>Ceramic or metal alignment</b>	Variety of applications

Corning Cable Systems offers a full line of factory- and field-installable adapters in a variety of mounting configurations to ensure compatibility with the housing, panel, outlet or faceplate being utilized. Supporting a variety of connector types, the adapters are ideal for cable assembly house and manufacturing environments and local area networks (LAN) at the workstation outlet. Adapters are available with ceramic or metal alignment sleeves and in a variety of colors in support of TIA/EIA-568-B.3.



SC Duplex Adapters | Photo LAN643



MT-RJ Adapters | Photo LAN641



LC Duplex Adapters | Photo LAN708



# Fiber Optic Adapters/Interconnect Sleeves

A LANscape®  
Solutions Product

## specifications |

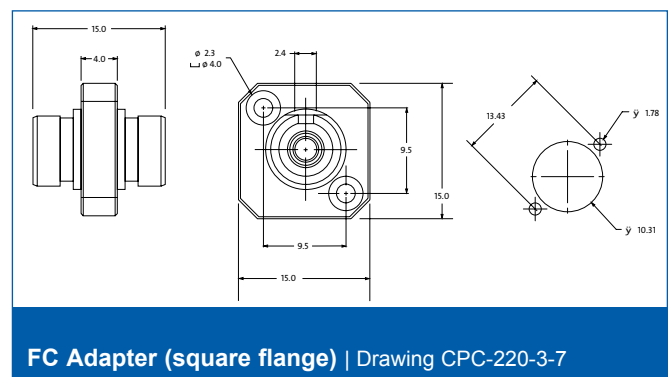
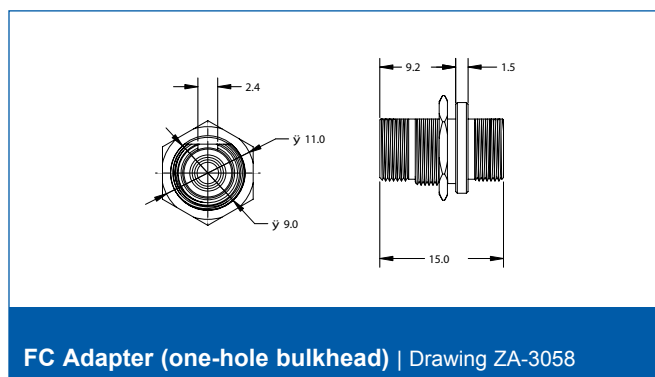
	Application Standards
FC	TIA/EIA-604-4
SC	TIA/EIA-604-3
ST® Compatible	TIA/EIA-604-2
LC	TIA/EIA-604-10
MT-RJ	TIA/EIA-604-12
MTP® Connector Adapter	TIA/EIA-604-5

## ordering information |

This is not a complete offering of Corning Cable Systems adapters; please contact Customer Service if required adapter is not listed.

FC Adapters						
Part Number	Housing Material	Mounting	Clip Type	Sleeve Material	Color	Mode*
<b>Square Flanged Model</b> ADP-FC00-MMXSF-NLS	Metal	Square Flange	None	Metal	None	SM, MM
<b>Threaded Model</b> ADP-FC00-MMXTH-NLS	Metal	Threaded	Jam Nut	Metal	None	SM, MM

\* SM = Single-mode, MM = Multimode



Note: Specification drawings are available through Customer Service at 800-743-2671.



# Fiber Optic Adapters/Interconnect Sleeves

A LANscape®  
Solutions Product

## ordering information | (continued)

TRAINING | SPlice EQUIPMENT | TEST EQUIPMENT | SPlice CLOSURES | HARDWARE | CABLE ASSEMBLIES | CONNECTORS | CABLES | PRETERMINATED SYSTEMS

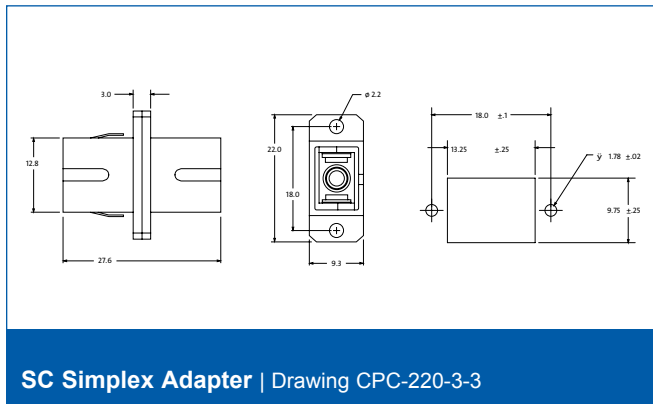
### SC Simplex Adapters

Part Number	Housing Material	Mounting	Clip Type	Sleeve Material	Color	Mode*
<b>Full Flange Model</b>						
ADP-SC00-CCAFI-CLS	Composite	Full Flange	Metal Clip	Ceramic	Aqua	LOMMF
ADP-SC00-CCBFI-CLS	Composite	Full Flange	Metal Clip	Ceramic	Black	MM 50 μm
ADP-SC00-CCGFI-CLS	Composite	Full Flange	Metal Clip	Ceramic	Green	SM APC
ADP-SC00-CCKFI-CLS	Composite	Full Flange	Metal Clip	Ceramic	Beige	MM 62.5 μm
ADP-SC00-CCNFI-CLS	Composite	Full Flange	Metal Clip	Ceramic	Blue	SM UPC
ADP-SC00-CMAFI-CLS	Composite	Full Flange	Metal Clip	Metal	Aqua	LOMMF
ADP-SC00-CMBFI-CLS	Composite	Full Flange	Metal Clip	Metal	Black	MM 50 μm
ADP-SC00-CMKFI-CLS	Composite	Full Flange	Metal Clip	Metal	Beige	MM 62.5 μm
ADP-SC00-CMNFI-CLS	Composite	Full Flange	Metal Clip	Metal	Blue	SM UPC

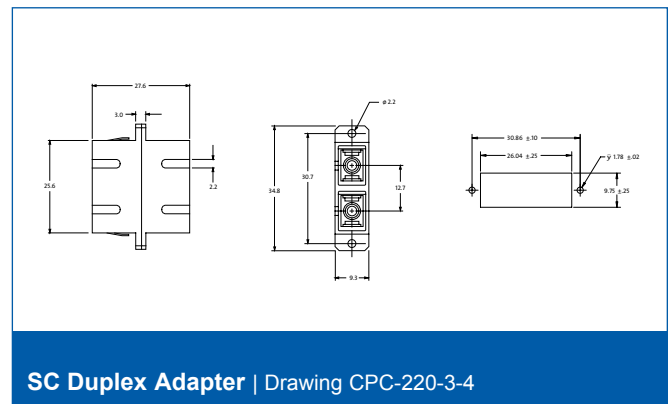
### SC Duplex Adapters

Part Number	Housing Material	Mounting	Clip Type	Sleeve Material	Color	Mode*
ADP-DSC0-CCAFI-CLS	Composite	Full Flange	Metal Clip	Ceramic	Aqua	LOMMF
ADP-DSC0-CCBFI-CLS	Composite	Full Flange	Metal Clip	Ceramic	Black	MM 50 μm
ADP-DSC0-CCGFI-CLS	Composite	Full Flange	Metal Clip	Ceramic	Green	SM APC
ADP-DSC0-CCKFI-CLS	Composite	Full Flange	Metal Clip	Ceramic	Beige	MM 62.5 μm
ADP-DSC0-CCNFI-CLS	Composite	Full Flange	Metal Clip	Ceramic	Blue	SM UPC
ADP-DSC0-CMAFI-CLS	Composite	Full Flange	Metal Clip	Metal	Aqua	LOMMF
ADP-DSC0-CMBFI-CLS	Composite	Full Flange	Metal Clip	Metal	Black	MM 50 μm
ADP-DSC0-CMKFI-CLS	Composite	Full Flange	Metal Clip	Metal	Beige	MM 62.5 μm
ADP-DSC0-CMNFI-CLS	Composite	Full Flange	Metal Clip	Metal	Blue	SM UPC

\* LOMMF = Laser-optimized multimode fiber, MM = Multimode, SM = Single-mode, APC = Angled PC, UPC = Ultra PC



SC Simplex Adapter | Drawing CPC-220-3-3



SC Duplex Adapter | Drawing CPC-220-3-4

Note: Specification drawings are available through Customer Service at 800-743-2671.

