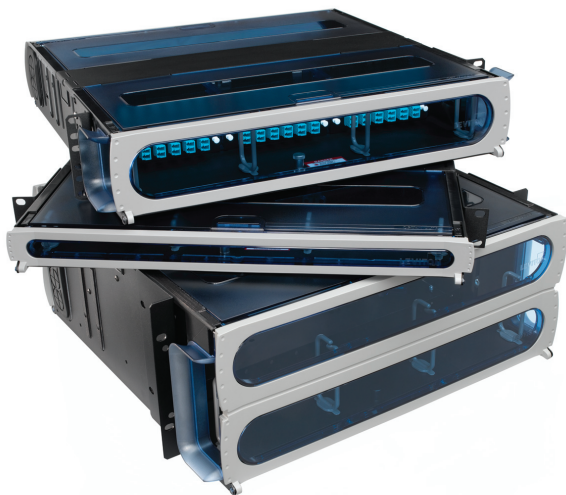


Opt-X Ultra™ Fiber Rack-Mount Enclosure

APPLICATION

Fiber rack mount enclosure for inter-connect or cross-connect between backbone cable and active equipment while utilizing minimum rack space in frame or cabinet setting. Enclosure feature set and design allows for installer's ease in field termination of connectors, splicing, or pre-terminated Plug-n-Play solution. Primary usage in high density fiber application such as Data Centers, Equipment Rooms, Central Offices, etc.



SPECIFICATION

Enclosure with sliding tray shall be available in 1, 2 and 4RU versions that accommodate termination and splicing of fiber. Adapter bulkhead shall accept a variety of adapter plates and Plug-n-Play MTP modules/cassettes. Fiber cable management routing and protection shall include patch cord bend radius bracket at entry/exit points, adjustable and stackable cable management rings for tight buffer fiber, cable strain relief kit for incoming backbone fiber, and adjustable saddles for patch cords. Enclosure design shall feature removable transparent polycarbonate doors and covers to ease fiber installation. Enclosure shall be constructed of 16-gauge steel with a powder coat black finish and be mountable in either a 19" or 23" rack or cabinet frame. Locking door feature shall be available as an option.

FEATURES

- Stylish and innovative design for today's most advanced networks and settings
- Sliding tray removes completely from enclosure to facilitate field terminations and splicing
- Sliding tray glides forward and backward providing accessibility to front and rear bulkhead after installation
- 17" depth for high density fiber termination and/or splicing
- Removable transparent hinged doors and slide away covers allow easy access during install and visibility of interior after install
- Patch cord bend radius guides minimize macro bending
- Stackable and adjustable fiber rings simplify cable routing and organization
- Saddles pivot for improved patch cord routing and organization
- Removable rubber grommets protect cable and minimize dust build-up
- Multiple mounting bracket positions for 19" or 23" rack and cabinet installation (23" 1RU mounting bracket sold separately)
- Constructed of durable polycarbonate plastic and 16 gauge steel, powder-coated black

DESIGN CONSIDERATIONS

- Enclosures are sold empty (unloaded)
- Buy components separately, or pre-configure enclosure to your requirements (see second page) or visit www.leviton.com/configurator
- Arrange enclosures to allow future growth
- 19" or 23" rack mount option
- Enclosures protrude 4.5" from mounting ears to align with Leviton's Versi-Duct® Cable Management System
- Specify adapter plate and MTP module selection and capacity (see second page)
- Specify splice tray selection and capacity (see second page)
- Enclosures are capable of storing up to 3 meters of 900 micron tight buffered fiber per adapter
- Door lock option available on front, rear, or both doors
- Accessory kit consists of cable ties, mounting ear screws, ID label, and spiral wrap (for cable protection)

STANDARDS COMPLIANCE

Meets or exceeds all TIA/EIA-568-B requirements.

PHYSICAL SPECIFICATIONS

Capacities and Dimensions: See Page 2

Materials: Constructed of 16 gauge steel, powder coated black. Plastic parts made using self-extinguishing ABS and polycarbonate materials rated UL 94V-2. Grommet material made of Santoprene®, a thermoplastic rubber elastomer.

WARRANTY INFORMATION

For a copy of Leviton product warranties, visit www.leviton.com.

Ultra Model No. Configurator

Example: Ultra 2OPTX- C4EKK2NY19NN; 2U Fiber Enclosure pre-configured with (4) 6-pack plate loaded with duplex LC adapters (aqua housing color) pre-terminated with 50/125µm Laser Optimized multimode color-coded pigtails, (2) heat shrink style splice trays (up to 24 fiber splicing), no locking feature, w/cable clamp kit, and installed for 19" rack mounting. [CONFIGURED FOR 48 FIBER CAPACITY]

A	B	C	D	E	F	G	H	I	J	N
Enclosure Size and Plate Style	Adapter Plate Selection	No. of Adapter Plates	Fiber Type	Adapter Plate Pigtail Selection	Splice Tray Style	No. of Splice Trays	Security Option	Cable Clamp Kit	Mounting Ear Position	
1OPTX = 1UOptX	A = 6 Pack Plate - 6 fibers (SC, ST, FC)	1	A = Single-mode	A = ST	A = Heatshrink, foam holders, up to 12 fibers	0	A = Locking front door	Y = Yes	19"	
2OPTX = 2UOptX	B = 8 Pack Plate - 8 fibers (SC, ST, FC)	2	B = 50/125µm std Multimode	B = SC	B = Heatshrink, plastic holders, up to 12 fibers	1	B = Locking rear door	N = No	23"	
4OPTX = 4UOptX	C = Duplex 6 Pack Plate - 12 fibers (SC, LC)	3	C = 62.5/125µm Multimode	C = LC	K = Heatshrink, plastic holders, up to 24 fibers	2	C = Both doors			
1LGX = 1ULGX	E = Duplex 8 Pack Plate - 16 fibers (LC)	4	E = 50/125µm (10G, 300m) Laser Optimized Multimode	D = FC	N = None	3	N = None			
2LGX = 2ULGX	F = Quad 6 Pack Plate - 24 fibers (LC)	5		E = SC/APC		4				
4LGX = 4ULGX		6		F = LC/APC		5				
		7		G = FC / APC		6				
		8		H = ST + Pigtails		7				
		9		J = SC + Pigtails		8				
		10		K = LC + Pigtails		9				
		11		L = FC + Pigtails		10				
		12		M = SC/APC + Pigtails		11				
				N = LC/APC + Pigtails		12				

PHYSICAL SPECIFICATIONS					
	Fiber capacity	Opt-X adapter plate / MTP modules capacity:	Splice Tray* capacity:	Dimensions	Weight
1RU	Up to 72 fibers (using quad LC)	Up to 3 plates / MTP modules	Up to 3 trays (up to 72 fibers)	1.75"H x 19.0"W x 17"D	15 lbs. (in carton)
2RU	Up to 144 fibers (using quad LC)	Up to 6 plates / MTP modules	Up to 6 trays (up to 144 fibers)	3.50"H x 19.0"W x 17"D	16 lbs. (in carton)
4RU	Up to 288 fibers (using quad LC)	Up to 12 plates / MTP modules	Up to 12 trays (up to 288 fibers)	7.00"H x 19.0"W x 17"D	20 lbs. (in carton)

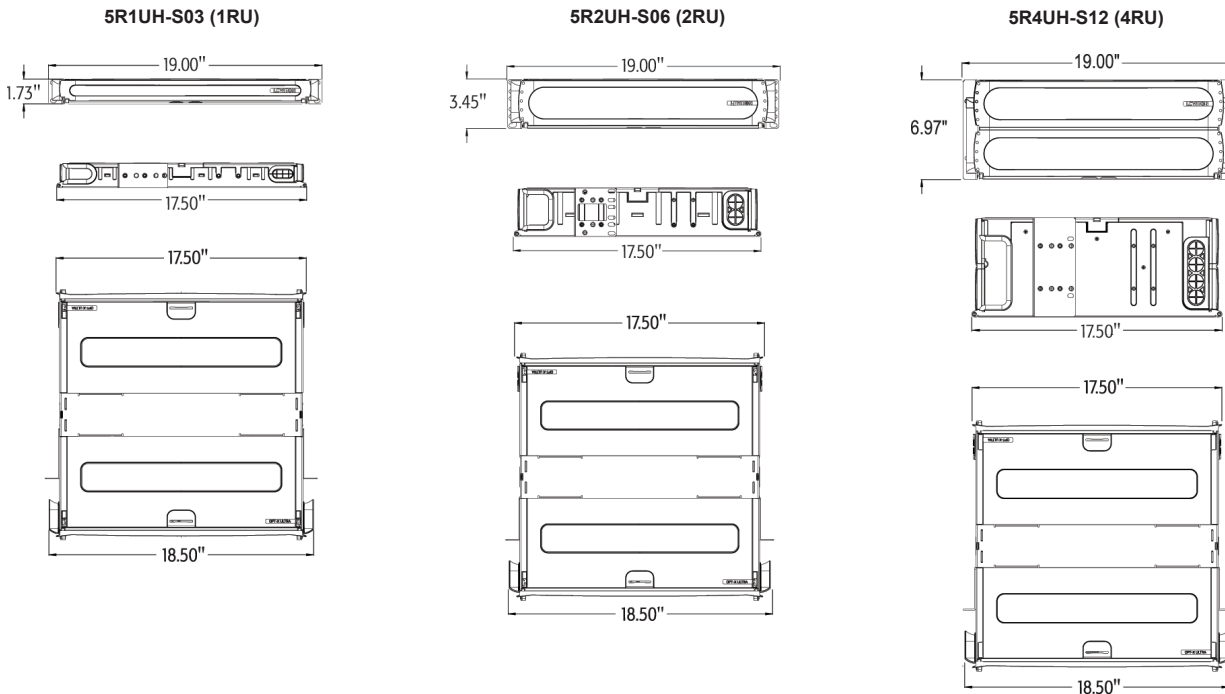
* Utilizing 24-fiber high density injection molded plastic splice tray (PN T75PLS-24F)

NOTE: For unloaded basic part numbers, see page 3.



ELECTRONIC FILES

For CAD files, Typical specs, or Dimensional Line Art. (.DXF, .DWG, MS-DOS.eps or .TXT), visit www.leviton.com.



5R1UH-S03 5R2UH-S06 5R4UH-S12

PART NUMBERS	
Description	Part No.
1RU Enclosure, empty, with sliding tray	5R1UH-S03
2RU Enclosure, empty, with sliding tray	5R2UH-S06
4RU Enclosure, empty, with sliding tray	5R4UH-S12
Cable Strain Relief Mounting Kit	5RCMP-KIT
Fiber ¼ Cable Management Ring Kit	5R100-14R
Grounding Kit	DPGRD-KIT
1RU Enclosure 23" Rack Mounting Bracket	5R1RU-023
1RU Replacement Door	5D000-1UN
2RU Replacement Door	5D000-2UN
4RU Replacement Door	5D000-4UN
1RU Replacement Door w/lock	5D000-1UL
2RU Replacement Door w/lock	5D000-2UL
4RU Replacement Door w/lock	5D000-4UL
Replacement Covers	5C000-RPL

