

Telecommunication Peripheral Products
Technical Practice

MOH-2L
Two Line
Music-on-Hold
September 14, 1998

Add Music-On-Hold To Your One or Two Line Phone Service



The **MOH-2L** provides your residence or small business phones with the same "on hold" features as Key Systems or PABX's. An audio input jack is available for providing music or promotion on hold for a truly professional "big-business" image.

To place a call on hold, simply press the * key on your Touch Tone phone and hang up. The call will be held in the **MOH-2L** for as long as you require. While on hold, callers may be pacified with recorded music, radio, promotional announcements or any other source connected to the audio input jack.

The **MOH-2L** can be connected to one or two phone lines making it ideal for homes or small offices.

<http://www.VikingElectronics.com>

E-mail...Sales@VikingElectronics.com



Features

- Phone line powered
- Provides music-on-hold for 1 or 2 line phones
- RJ14 (two-line) and **LINE 2** RJ11 jack provided
- Single digit (Touch Tone *) hold command
- CPC detection for automatic disconnect
- **LINE 2** "On Hold" indicator
- 600 ohm audio input jack
- Compatible with any C.O. line or analog PABX/KSU station
- Audio cable included

Made in the U.S.A.

Applications

- Small Office/Home Office systems(SOHO)
- City desks
- Catalog departments
- Promotion on hold when used with the **DVA-2W (Fax Back Document 110)**

Sales...(715) 386 - 8861

Specifications

Line Powered: 20mA loop minimum
Dimensions: 119mm x 71mm x 36mm (4.7" x 2.8" x 1.4")
Shipping Weight: 0.45 Kg (1 lb)
Environmental: 0°C to 32°C (32°F to 90°F) with 5% to 95% non-condensing humidity
Audio input: 600 ohm
Audio connection: 1/8 inch audio jack
Phone Connections: (1) RJ14 jack, (1) RJ11 jack, (1) RJ14 plug, (1) 3.5mm (1/8") audio jack

Installation/Programming/Applications

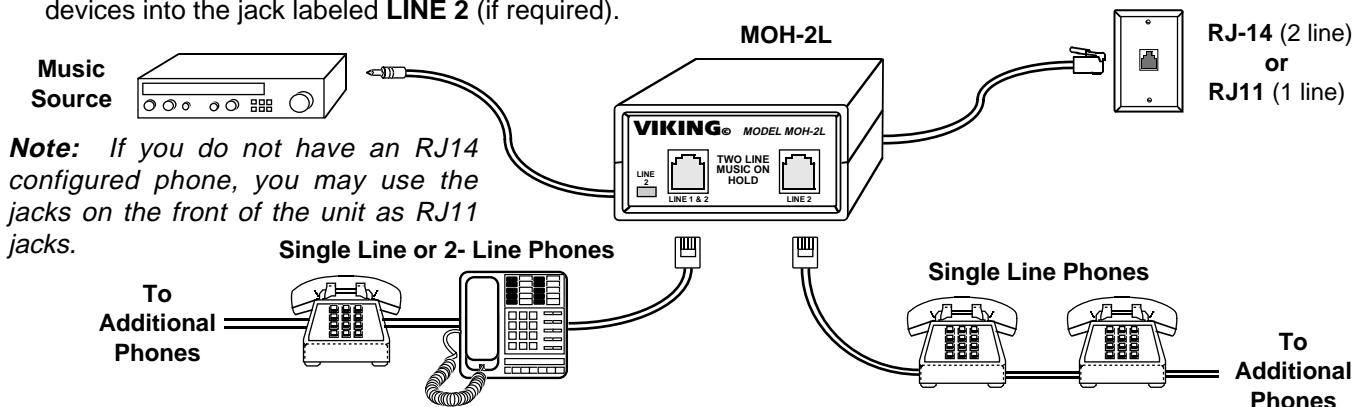
A. Standard Installation

The **MOH-2L** must be wired in series and in front of all phones you wish to have the hold feature with.

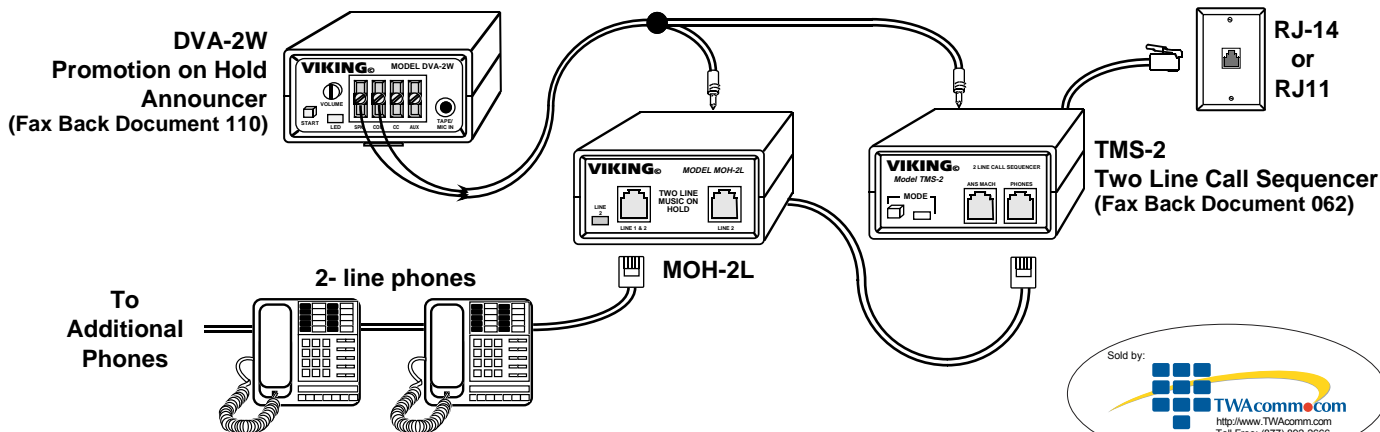
1. Plug the modular cord on the back of the **MOH-2L** into an RJ14 (2-line) or RJ11 (single-line) jack.
2. Plug the RJ14 (2-line) telephone cable that's feeding your 2-line phones, into the jack labeled **LINE 1 & 2**.

-or-

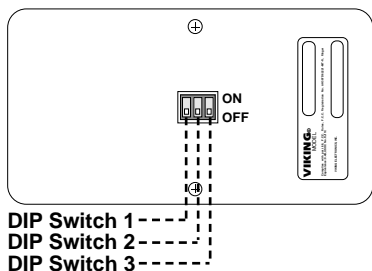
Plug the RJ11 (single-line) cord that's feeding your telephone into the jack labeled **LINE 1 & 2** and plug the line 2 devices into the jack labeled **LINE 2** (if required).



B. Add a Professional Call Sequencer and Promotion on Hold



C. Dip Switch Programming



DIP switches 1 and 2 allow the **MOH-2L** to work with varying telephone lines. If the **MOH-2L** does not hold the call that's been placed on hold, the loop current provided by your phone company is probably too low. To compensate for this, set the corresponding dip switch to the ON position.

Switch	ON	OFF
Switch 1	Line 1 low loop current	Line 1 normal loop current*
Switch 2	Line 2 low loop current	Line 2 normal loop current*
Switch 3	(not used)	(not used)

* Factory settings

Operation

When a call comes in, the phones will ring as usual. After answering the call, the user can place the call on hold by pressing the "*" key on their Touch Tone phone and then hanging up. The call will remain on hold until any phone on the same line is picked up, or a CPC disconnect signal from the incoming CO line is detected.

The **MOH-2L** can accommodate one or two phone lines, connecting them to a single on hold audio source. The LED on the front of the **MOH-2L** indicates that line two is on hold.

Product Support Line...(715) 386-8666

Fax Back Line...(715) 386-4345

Due to the dynamic nature of the product design, the information contained in this document is subject to change without notice. Viking Electronics, its affiliates and/or subsidiaries assume no responsibility for errors and/or omissions contained in this information. Revisions of this document or new editions of it may be issued to incorporate such changes.