

NTSC WV-NW484S (24V AC, 12V DC or PoE)  
<Smoke Dome Type>

PAL WV-NW484S (24V AC, 12V DC or PoE)  
<Clear Dome Type>



## Day/Night Network Camera with Vandal ABF and Super Dynamic III

### Key Features

- Built-in MPEG-4 and JPEG digital signal output at VGA image size with up to 30 ips.
- MPEG-4/JPEG dual stream output for simultaneous live monitoring and high resolution recording.
- Progressive Output with motion adaptive interlace/progressive conversion allows every frame to be clear even when the object is moving.
- **Super Dynamic III** technology delivers 128x wider dynamic range compared to conventional cameras.
- High sensitivity with Day-Night function: 0.6 lux (Color), 0.08 lux (B/W) with clear dome cover.
- Adaptive Digital Noise Reduction: Selectable use of either 2D-DNR or 3D DNR ensures noise reduction in various conditions.
- 3.8 ~ 8.0mm, 2x varifocal lens with 3x digital zoom.
- Auto Back Focus (ABF) ensures easy installation and stable focus in both color and B/W modes.
- Scene Change Detection alarms when lens is covered, spray painted, removed or defocused.
- Video Motion Detector with 4 programmable detection areas and 3 sensitivity levels.
- Auto image stabilizer for applications where vibration or wind is a concern.
- Up to 32x automatic electronic sensitivity enhancement.
- SD Memory card slot for alarm recording and backup upon network failure.
- Alarm sources include Terminal input, VMD and Panasonic alarm command, and can trigger actions including SD memory recording, FTP image transfer, E-mail notification, Alarm indication, Terminal output and Panasonic protocol output.
- Built-in network interface (10Base-T / 100Base-TX).
- Power over Ethernet (PoE) IEEE 802.3af.
- Multiscreen: Images from 8 cameras can be displayed in two separate Quad screens (JPEG only)
- FTP client function enables periodic image data transfer or transfer upon alarm
- Alarm E-mail notification
- Max. bit rate/client for MPEG-4 (64 / 128 / 256 / 512 / 1,024 / 2,048 / 4,096 kbps) combined with Total bit rate control (64 / 128 / 256 / 512 / 1,024 / 2,048 / 4,096 kbps / Unlimited) allowing flexible network management.

- Supported Protocol: TCP/IP, UDP/IP, HTTP, FTP, SMTP, DHCP, DNS, DDNS, NTP, RTP and SNMP.
- Multi-language GUI and setup menu: English, French, Italian, Spanish, German, Polish, Russian (PAL), English, French (NTSC), (Installation required except for English).
- IP66 rated water and dust resistant. IEC60529 measuring standard compatible.
- Dehumidification device for use in various weather conditions.
- Vandal proof mechanism for high reliability
- Three-way hinge (horizontal, vertical and swivel rotation) for easy installation
- Optional heater maintains operating temperature  $-30^{\circ}\text{C} \sim +50^{\circ}\text{C}$  ( $-22^{\circ}\text{F} \sim 122^{\circ}\text{F}$ ) even with PoE.

### Standard Accessories

- CD-ROM\* ..... 1 pc.
- Operating Instructions, Basic Manual ... 1 pc.
- Label (MAC address) ..... 1 pc.
- Mounting Bracket ..... 1 pc.
- Driver Bit ..... 1 pc.
- Waterproof tape (butyl rubber tape) ... 1 pc.

The following are for installation.

- 4-pin Alarm Cable ..... 1 pc.
- RJ-45 female-female conversion connector ..... 1 pc.

\* The CD-ROM contains Panasonic IP Setup Software, viewer software "Network Camera View3", and Standard Operation Manual/ Standard Setup Manual (PDF)

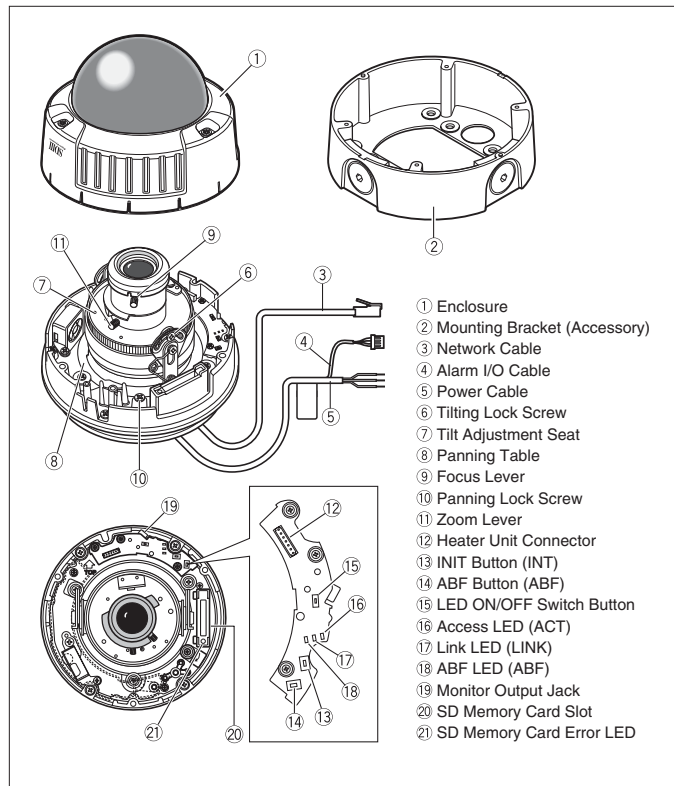
### Optional Accessories

<p>Heater Unit <b>WV-CW4H</b></p> 	<p>Embedded Ceiling Mount Bracket <b>WV-Q169</b></p> 	<p>Clear Dome Cover <b>WV-CW4C (NTSC only)</b></p>  <p>Smoke Dome Cover <b>WV-CW4S (PAL only)</b></p> 
--	--	--

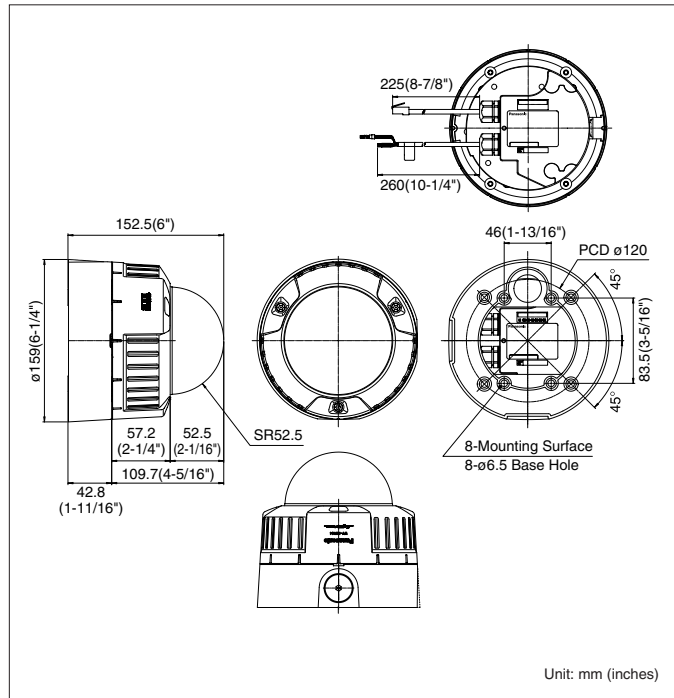
## Specifications

TV System	NTSC	PAL
<b>Camera</b>	Image Sensor	
	1/3-type interline transfer CCD	
	Effective Pixels	
	768 (H) x 494 (V)	
	Scanning Mode	
	2:1 interlace scan (with motion adaptive interlace/progressive conversion)	
	Scanning Area	
	4.8 (H) x 3.6 (V) mm	
	Minimum Illumination	
	Color (30IRE): 1.5 lux (Sens up: OFF), 0.046 lux (Sens up: 32x) at F1.4	
	Color (30IRE): 0.6 lux (Sens up: OFF), 0.019 lux (Sens up: 32x) at F1.4	
	BW (10IRE): 0.16 lux (Sens up: OFF), 0.005 lux (Sens up: 32x) at F1.4	
	BW (10IRE): 0.08 lux (Sens up: OFF), 0.003 lux (Sens up: 32x) at F1.4	
	Will be same as PAL spec with WV-CW4C optional clear dome cover	
	White Balance	
	AWC (2,000 - 10,000 K), ATW1 (2,700 - 6,000 K), ATW2 (2,000 - 6,000 K)	
	Light Control	
	ALC	
AGC		
ON (LOW) / ON (MID) / ON (HIGH) / OFF		
Super Dynamic III		
ON or OFF (with BLC masking)		
Dynamic Range		
52 dB typical (Super Dynamic III: ON, Shutter speed: OFF)		
Electronic Shutter		
OFF (1/60), AUTO, 1/100		
Electronic Sensitivity UP		
OFF / AUTO (2x, 4x, 6x, 10x, 16x, 32x)		
Digital Noise Reduction		
High / Low		
Black and White Mode		
Mode: AUTO1 / AUTO2 / ON / OFF, Level: High / Low, with external control		
Digital Zoom		
Up to 3x with Digital PAN/TILT		
Video Motion Detector		
Mode1 (Motion): 4 areas, Sensitivity: 3 levels / Mode2 (Scene): OFF, Auto suspend 2, 5, 10, 30 sec.		
Privacy Zone		
Up to 8 zones, Gray/Mosaic		
Up Side Down		
ON / OFF		
Auto Image Stabilizer		
ON / OFF		
Camera Title		
Up to 16 characters (alphanumeric characters, marks)		
Lens Mount		
CS-mount		
Back Focus Adjustment		
ABF/MANUAL, ABF mode upon CL/BW switching: AUTO / PRESET / FIX		
<b>Lens</b>	Focal Length	
	3.8 - 8.0 mm, 2x varifocal	
	Angular Field of View	
	H: 35.6° (TELE) - 73.6° (WIDE) V: 26.6° (TELE) - 53.4° (WIDE)	
Maximum Aperture Ratio		
1:1.4 (WIDE) 1:1.8 (Tele)		
Min. Object Distance		
1.2 m (3.9 ft)		
<b>Pan and Tilt</b>	Panning Range	
	±175°	
Tilting Range		
±75°		
<b>Browser GUI</b>	Camera Control	
	Iris	
	Display Mode	
	Image from 8 cameras can be displayed in 2 different Quad screens (JPEG only). 20 characters camera title available.	
	SD Memory Data Download	
	Images recorded in the SD memory card can be downloaded.	
	Clock Display	
	Time: 12H/24H, Date: 5 formats on the browser, Summer time (Manual)	
	Alarm Control	
	Reset, Suspend	
	GUI/Setup Menu Language	
	English, French (Installation required for French), German, Polish, Russian (Installation required except for English.)	
System Log		
Alarm log, FTP error log (SD memory required)		
Supported OS		
Microsoft Windows® 2000 Professional SP4, Microsoft Windows® XP Professional Home SP2 English, French, Italian, Spanish, German		
Supported Browser		
Internet Explorer 7.0		
Internet Explorer 6.0 SP2 (Windows® XP Home/Professional SP2)		
Internet Explorer 6.0 SP1 (Only Windows® 2000 Professional SP4)		
<b>Network</b>	Network IF	
	10Base-T / 100Base-TX, RJ45 connector	
	Image Resolution	
	VGA (640 x 480) / QVGA (320 x 240)	
	Image Compression	
	MPEG-4: Image quality: LOW/NORMAL/FINE, Transmission type: UNICAST/MULTICAST	
	JPEG: Image quality: 10 steps, Transmission type: PULL/PUSH	
	MPEG-4/JPEG dual streaming and JPEG multi-resolution supported.	
	Image Refresh Rate (JPEG)	
	0.1 / 0.2 / 0.33 / 0.5 / 1 / 2 / 3 / 5 / 6 / 10 / 15 / 30 ips (Max. rate will be 5 ips-VGA, 10 ips-QVGA when transmitting JPEG and MPEG-4 simultaneously)	
	Total Bit Rate	
	64 / 128 / 256 / 512 / 1,024 / 2,048 / 4,096 kbps / Unlimited	
	Max. Bit Rate/Client (MPEG-4)	
	64 / 128 / 256 / 512 / 1,024 / 2,048 / 4,096 kbps	
	Supported Protocol	
	TCP/IP, UDP/IP, HTTP, FTP, SMTP, DHCP, DNS, DDNS, NTP, SNMP, RTP	
	FTP Client	
	Alarm image transfer, Periodic image transfer	
No. of Simultaneous Users		
Up to 8 users		
SD Memory Card (Option)		
Alarm REC/Backup upon network failure. Compatible SD card: Panasonic 64MB, 128MB, 256MB, 512MB, 1GB, 2GB model. SDHC standard card not supported.		
Alarm E-mail		
Yes		
User Registration		
Up to 16 users		
User Level		
3 Levels: Administrator, Camera control, Live only		
Security Method		
User authentication (ID and Password), Host authentication (IP address)		
<b>Alarm</b>	Alarm Source	
	VMD, Command alarm, Terminal input	
Alarm Actions		
SD memory recording, E-mail notification, Indication on browser, FTP image transfer, Panasonic protocol output		
<b>Input/Output</b>	EXT. Input/Output	
	ALARM input, ALARM output/Black and White Mode input, AUX output	
Monitor Output		
1.0 V [p-p] / 75 Ω, NTSC composite, RCA jack		
1.0 V [p-p] / 75 Ω, PAL composite, RCA jack		
<b>General</b>	Safety/EMC Standard	
	UL (E600065), FCC (Part15 ClassA), CE (EN55022, EN55024, ClassB), C-UL (E60065), DOC (ICES003 ClassA), GOST (R 51558)	
	Power Source	
	24 V AC, 60 Hz / 12 V DC / PoE (IEEE802.3af) 24 V AC, 50 Hz / 12 V DC / PoE (IEEE802.3af)	
	Power Consumption	
	16 W (24 V AC) / 920 mA (12 V DC) / 12 W (PoE Class 0) with Optional Heater	
	Ambient Operating Temperature	
	-10 °C ~ +50 °C (14 °F ~ 122 °F), -30 °C ~ +50 °C (-22 °F ~ 122 °F) with Optional Heater (24 V AC/PoE)	
Ambient Operating Humidity		
90 % or less (without condensation)		
Water and Dust Resistance		
IP66 rated water and dust resistant. IEC60529 measuring standard compatible.		
Dimensions		
ø159 mm x 153 mm (H) (6-1/4" x 6-1/32")		
Weight		
approx. 1.9 kg (4.18 lbs.) (with Mounting Bracket)		

## Major Operating Controls & Terminals



## Appearance



### Trademarks and registered trademarks

- Microsoft, and Windows are registered trademarks of Microsoft Corporation in the U.S. and other countries.
- SD logo is a trademark.

### Important

- Safety Precaution: carefully read the operating instructions and installation manual before using this product.
- Panasonic can not be responsible for network performance and/or other manufacturer products that reside on the network.

- All TV pictures/menu are simulated.
- Weights and dimensions are approximate.
- Specifications are subject to change without notice.
- These products may be subject to export control regulations.
- Product pictures shown in this catalog are all NTSC models.

## DISTRIBUTED BY:



**Panasonic**  
Panasonic is the brandname of Matsushita Electric.  
Printed in Japan  
(2A-004L)