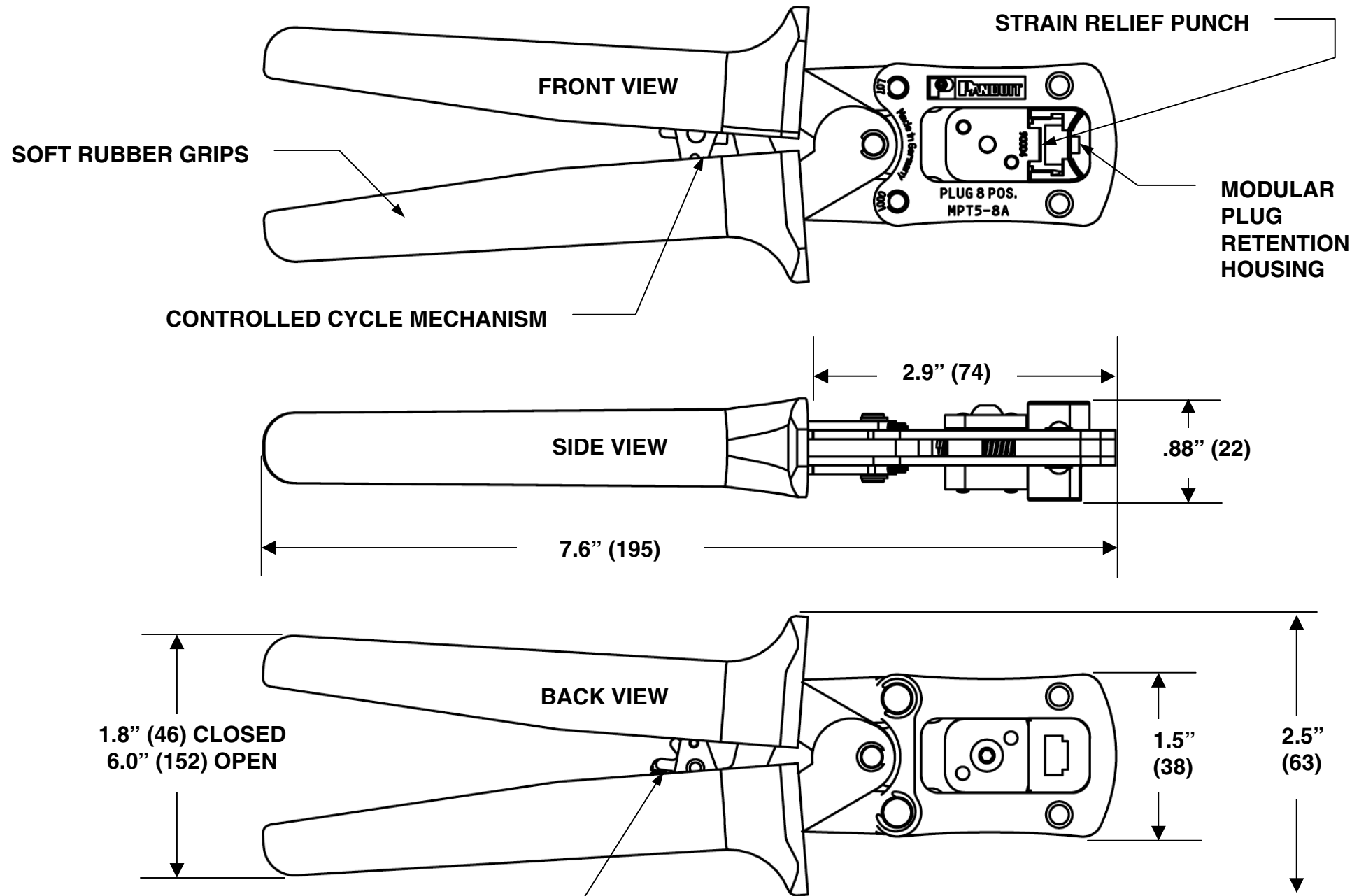


THIS COPY IS PROVIDED ON A RESTRICTED BASIS AND IS NOT TO BE USED IN ANY WAY DETRIMENTAL TO THE INTERESTS OF PANDUIT CORP.



PANDUIT PART NO. MPT5-8A Tool
Weight: .62 lbs.(each) (approx. 280 g)
Length: 7.6" (approx. 195 mm)
Width: 2.5" (approx. 63 mm)

NOTES:

- REQUIRED FOR *PAN-PLUG™* AND *TX6™* MODULAR PLUG TERMINATION.
- CONTROLLED CYCLE TOOL TO INSURE PROPER PLUG TERMINATION.
- REFERENCE OPERATION INSTRUCTIONS FOR PROPER USE OF TOOL.

ALL DIMENSIONS IN PARENTHESES ARE MILLIMETERS.

ALL DIMENSIONS ARE FOR REFERENCE ONLY.

F:\wrkgrp\rvusers\ENGRDOCS-NEW\CUST DWG\CG25626B01_01 MPT5-8A CD.doc

										PANDUIT CORP. TINLEY PARK, ILLINOIS		
										MPT5-8A		
										CUSTOMER DRAWING		
										UNLESS OTHERWISE SPECIFIED, DIMENSIONAL TOLERANCES ARE: (.x) ± ---- (.xxx) ± ---- (.xx) ± ---- ANGLES ± ----		
										UNLESS OTHERWISE SPECIFIED, ALL DIMENSIONS ARE GIVEN IN INCHES, THIRD ANGLE PROJECTION.		
01	5-29-08	BLR	MSH	CORR. BACK VIEW	4274A	---	ABJ			DRAWN BY: BLR	MATL: -----	SCALE NONE
00	01-03-08	BLR	MSH	RELEASED	4274	---	JRWA			DATE: 01-03-08		DRAWING NO. CG25626B01
REV	DATE	BY	CHK'D	DESCRIPTION	ECN	- R	CUST	SUP		CHK'D: MSH		DWG SIZE B

