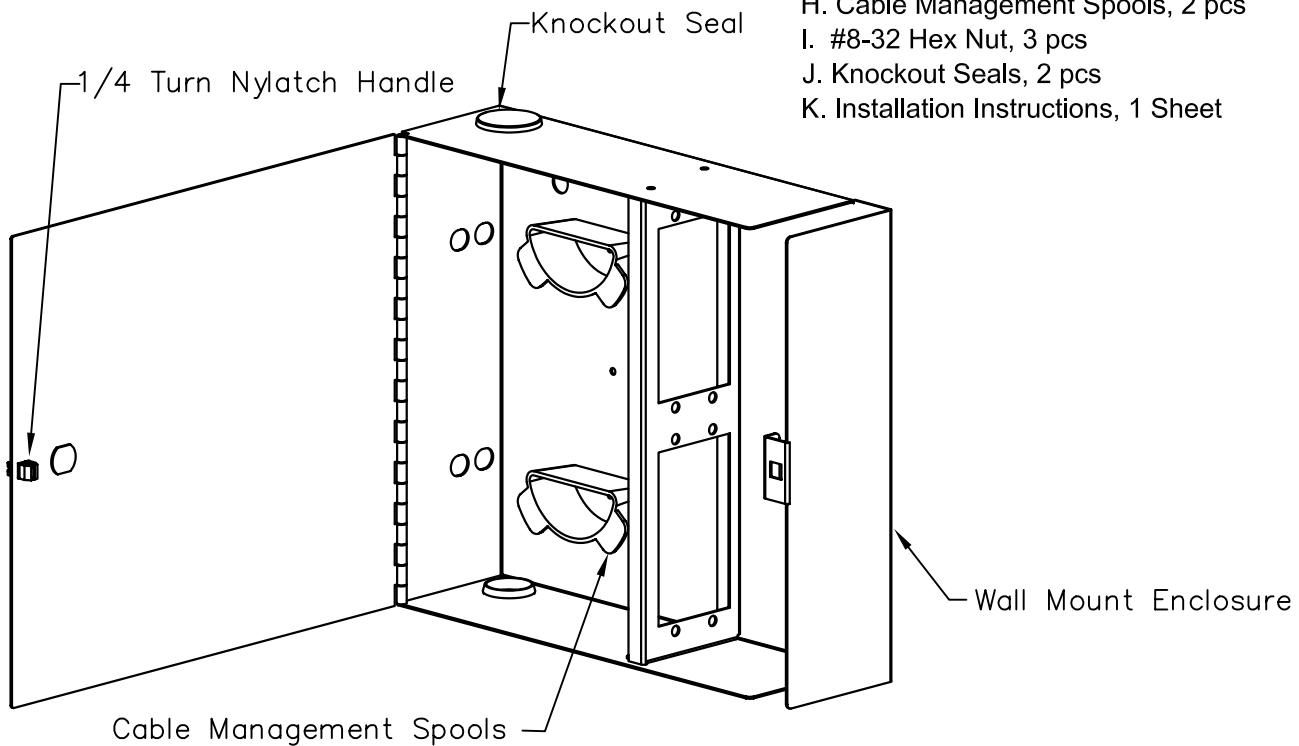


Fiber Optic Wall Mount Enclosure 4-Panel

PRODUCT SPECIFICATION

Package includes:


- A. Fiber Optic Wall Mount Enclosure, 1 pc
- B. Standoff Harness Clip With Adhesive Base, 4 pcs
- C. Split Flat Cable Clamp With Adhesive Base, 4 pcs
- D. $\frac{1}{4}$ Turn Nylatch Handle, 1 pc
- E. Tie Wraps, 4 pcs
- F. Danger Label, 1 pc
- G. Pem Studs, 3 pcs
- H. Cable Management Spools, 2 pcs
- I. #8-32 Hex Nut, 3 pcs
- J. Knockout Seals, 2 pcs
- K. Installation Instructions, 1 Sheet



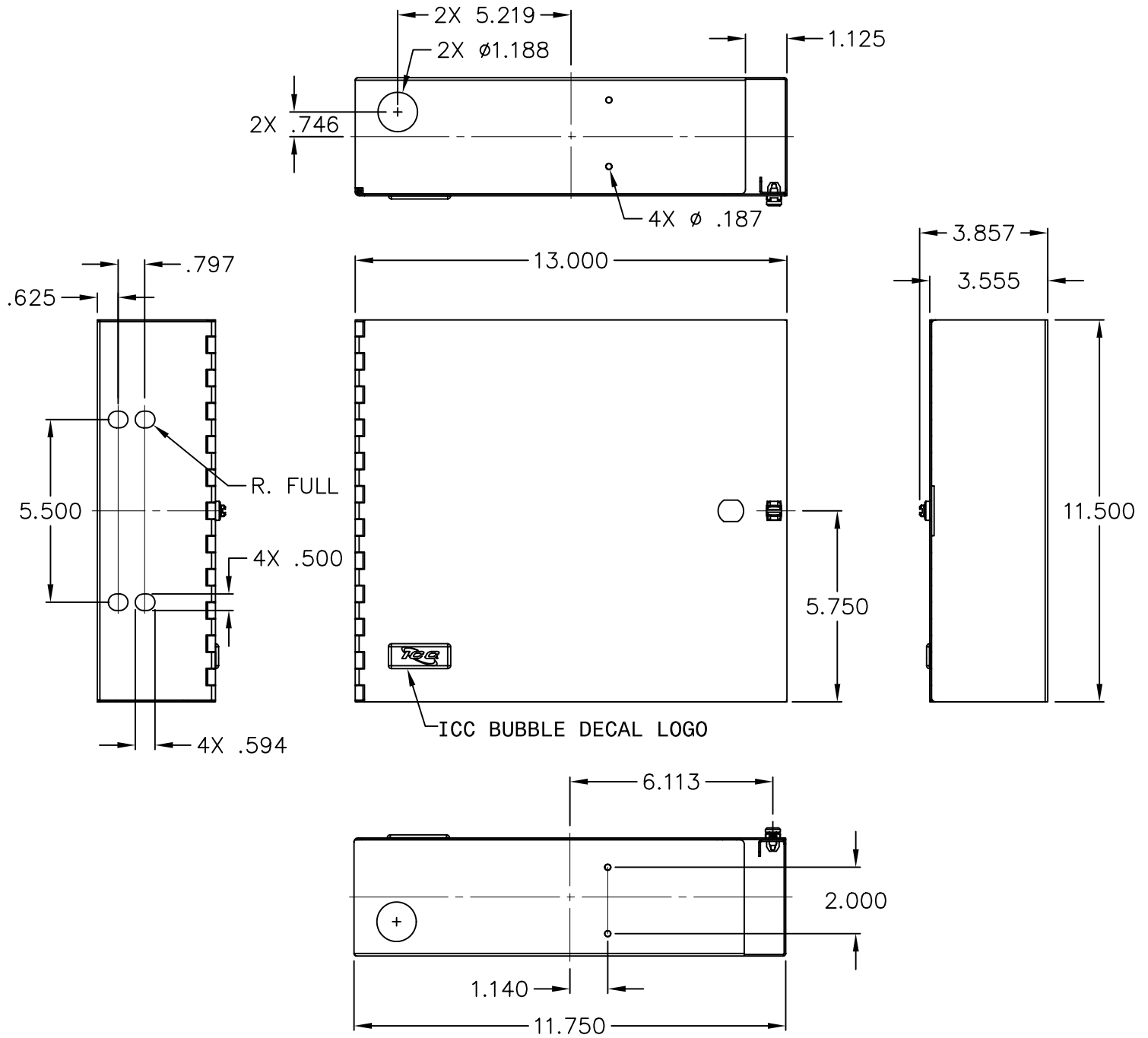
Features and Benefits:

- High quality material and folded edges design allow for strength and durability.
- Provides easy accessibility for managing fiber optic cable.
- Built in cable management spools provide easy cable routing.
- Holds 4 ICFOP fiber optic adapter panels.
- Installation Instructions #MSR-0XXXX.
- Available in black.



WALL MOUNT ENCLOSURE, 4-PANEL					
ITEM NO.	ICFOD104BK			REV.	A
DWG NO.	PSFOD104BK			PAGE NO.	1


CUSTOMER CARE / TECHNICAL SUPPORT * CSR@ICC.COM / 888-ASK-4-ICC (275-4422) * 14700 Alondra Blvd., La Mirada, CA 90638 * www.icc.com



NOTE: UNLESS OTHERWISE SPECIFIED

1. MATERIAL: 18 GA CRS
2. FINISH: POWDER COAT
3. COLOR: BLACK



WALL MOUNT ENCLOSURE, 4-PANEL		 PremiumProducts ProvenPerformance CompetitivePrices	
ITEM NO.	ICFOD104BK		REV. A
DWG NO.	PSFOD104BK	PAGE NO.	2

CUSTOMER CARE / TECHNICAL SUPPORT * CSR@ICC.COM / 888-ASK-4-ICC (275-4422) * 14700 Alondra Blvd., La Mirada, CA 90638 * www.icc.com