

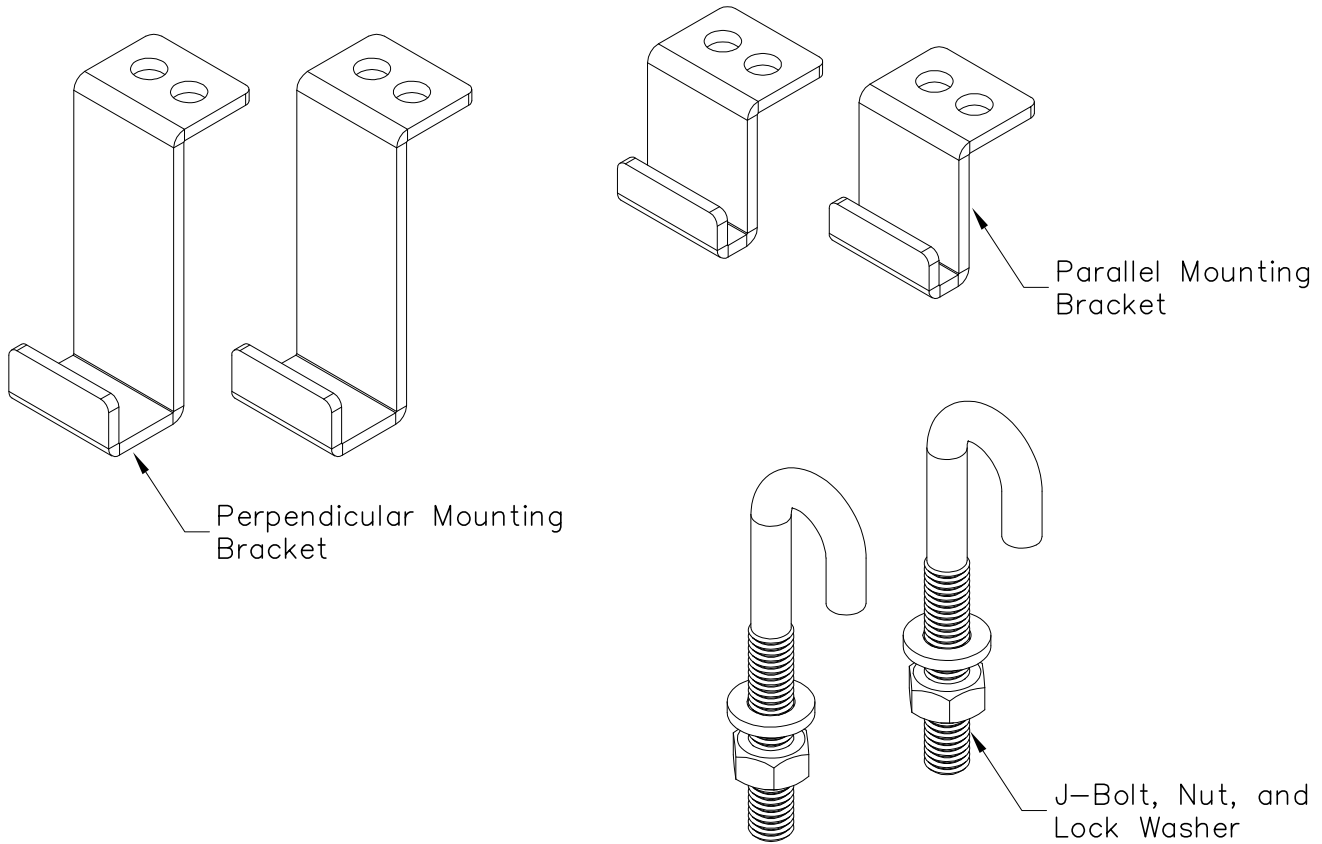
4-Post Relay Rack Ladder Mounting Kit

PRODUCT SPECIFICATION



Package includes:

- A. Parallel Mounting Bracket , 2 pcs
- B. Perpendicular Mounting Bracket, 2 pcs
- C. #5/16-18 x 3" J-Bolt, 2 pcs
- D. #5/16-18 Nut, 2 pcs
- E. #5/16-18 Lock Washer, 2 pcs



Features and Benefits:

- Designed with durable steel construction, black textured powder coated, providing strength and stability for long lasting use.
- Designed to secure ladder runway perpendicular or parallel to the 4-Post Distribution Rack.

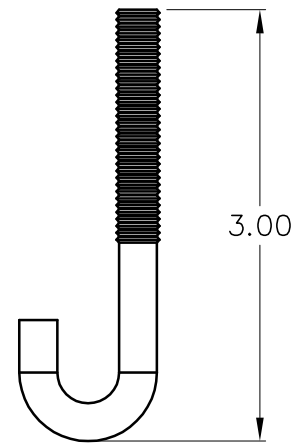
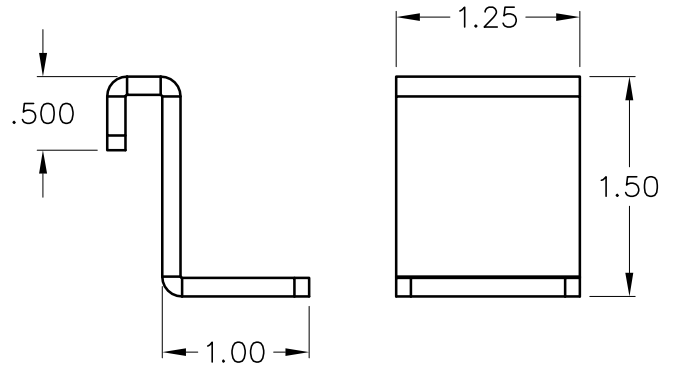
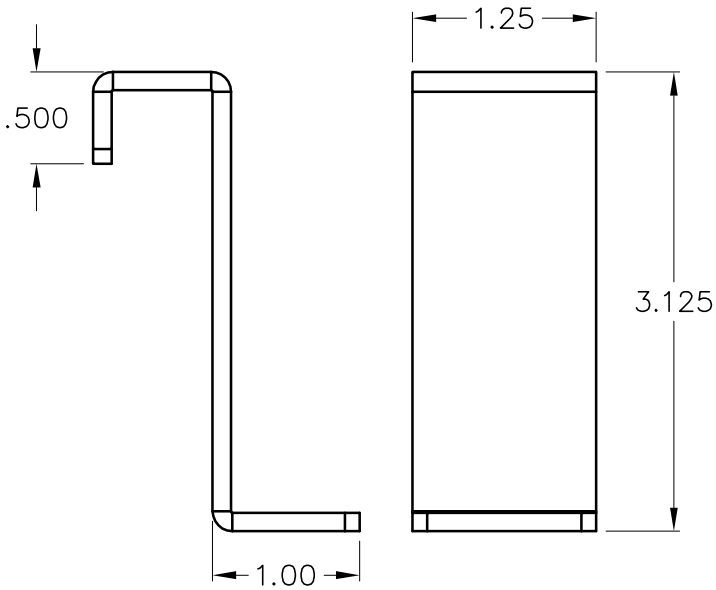
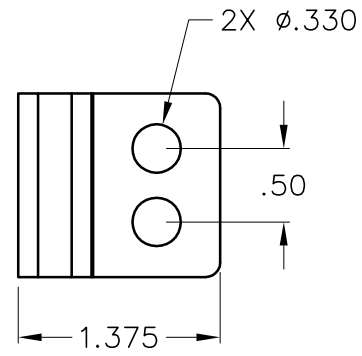
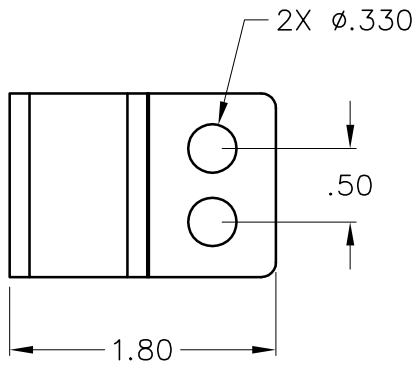
RUNWAY KIT, 4-POST RELAY RACK BRACKET

ITEM NO.	ICCM4SL4PBK
DWG NO.	PSCM4SL4PBK

REV.	B
PAGE NO.	1



CUSTOMER CARE / TECHNICAL SUPPORT * CSR@ICC.COM / 888-ASK-4-ICC (275-4422) * 14700 Alondra Blvd., La Mirada, CA 90638 * www.icc.com



NOTE: UNLESS OTHERWISE SPECIFIED

- 1. MATERIAL:
BRACKETS: 11 GA CRS
J-BOLT: STEEL
- 2. SURFACE FINISH:
BACKETS: BLACK TEXTURED POWDER COAT
J-BOLTS: ZINC



RUNWAY KIT, 4-POST RELAY RACK BRACKET

ITEM NO.	ICCMSL4PBK	REV.	B
DWG NO.	PSCMSL4PBK	PAGE NO.	2



CUSTOMER CARE / TECHNICAL SUPPORT * CSR@ICC.COM / 888-ASK-4-ICC (275-4422) * 14700 Alondra Blvd., La Mirada, CA 90638 * www.icc.com