

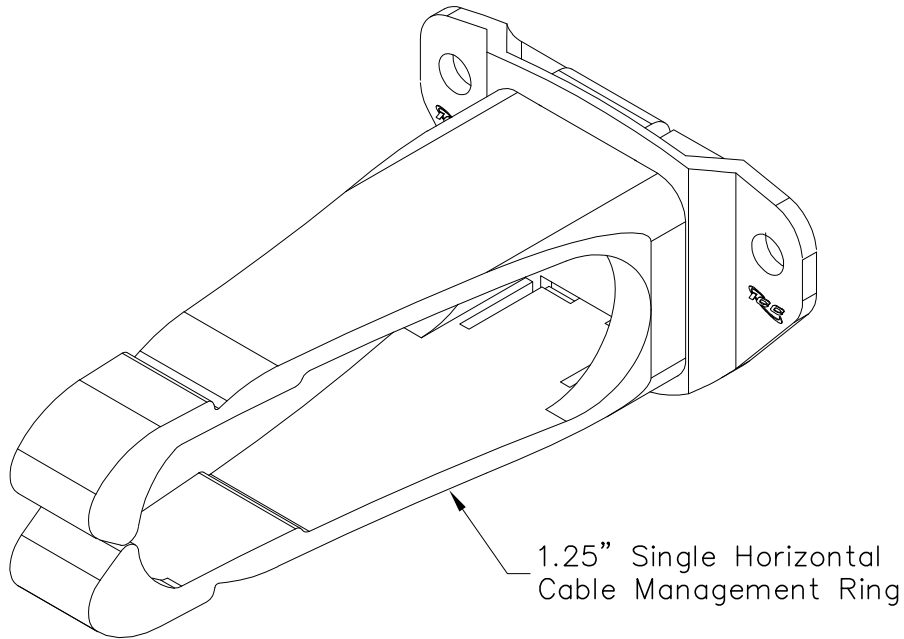
# 1.25" Single Horizontal Cable Management Ring

## PRODUCT SPECIFICATION



### Package includes:

- A. 1.25" Single Horizontal Cable Management Ring, 1 pc
- B. #12-24 x 5/8" Pan Head, Pilot Point Machine Screw, 2 pcs

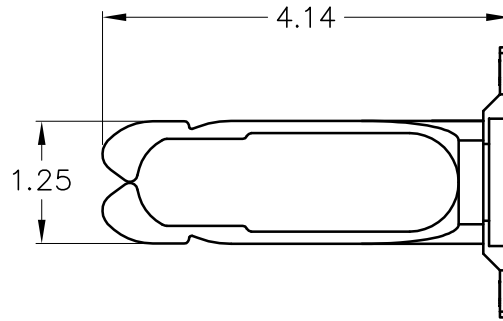
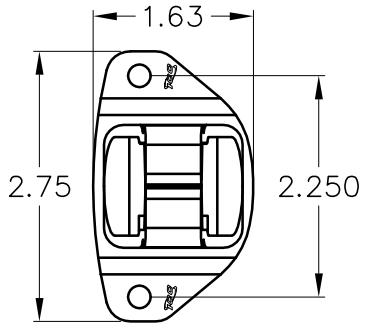
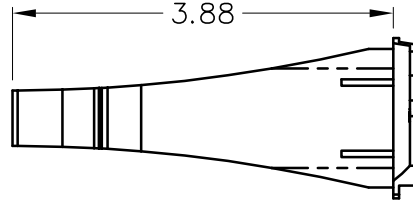


### Features and Benefits:

- Provides flexibility for front or back cable management with a neat and clean appearance
- Suitable for all racks, wall mount racks, and wall mount brackets
- Used with ICCMS distribution and cable management racks, ICCMSWMR wall mount racks, ICCMSSGR wall mount swing gate racks, ICCMSVHB wall mount vertical hinged brackets, and ICCMSHB wall mount hinged brackets

<b>RING, HORIZONTAL CABLE MGMT, SINGLE, 1.25"</b>			
ITEM NO.	ICCMSCMPR6		REV. A
DWG NO.	PSCMSCMPR6		PAGE NO. 1


CUSTOMER CARE / TECHNICAL SUPPORT \* CSR@ICC.COM / 888-ASK-4-ICC (275-4422) \* 14700 Alondra Blvd., La Mirada, CA 90638 \* www.icc.com



**NOTE: UNLESS OTHERWISE SPECIFIED**

1. MATERIAL: HIGH IMPACT ABS, UL 94V-0
2. COLOR: BLACK



<b>RING, HORIZONTAL CABLE MGMT, SINGLE, 1.25"</b>		 <b>Premium Products</b> <b>Proven Performance</b> <b>Competitive Prices</b>	
ITEM NO.	ICCMSCMPR6		REV. A
DWG NO.	PSCMSCMPR6	PAGE NO.	2

CUSTOMER CARE / TECHNICAL SUPPORT \* CSR@ICC.COM / 888-ASK-4-ICC (275-4422) \* 14700 Alondra Blvd., La Mirada, CA 90638 \* www.icc.com