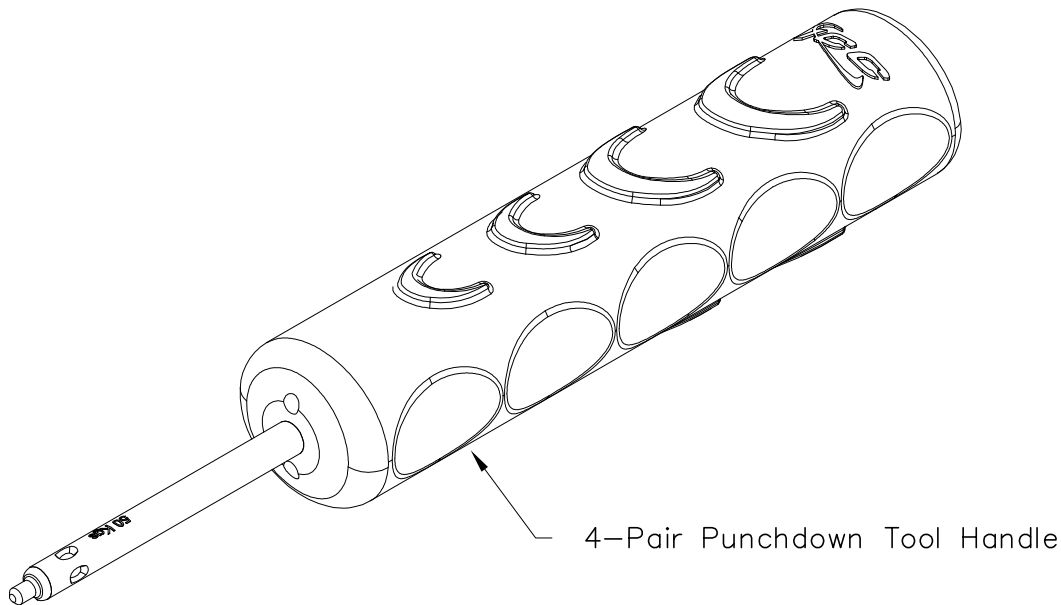


4-Pair Punchdown Tool Handle

PRODUCT SPECIFICATION

Package includes:

A. 4-Pair Punchdown Tool Handle, 1 pc



Features and Benefits:

- Designed to provide a maximum of 50 kgs impact in order to terminate 4-pairs of wires simultaneously making installations faster and easier
- Tip of the shaft engages the blade set eliminating the possibility of blade misalignment
- Ergonomic design allowing a comfortable fit throughout installations
- Anti-slip rubber with raised grip design preventing hand slippage during use
- Cushioned rubber handle helps absorb impact to the hand
- Can be used for seating and terminating wires
- Used in conjunction with ICACS8WUEZ and ICACS8WUHD heads (sold separately).



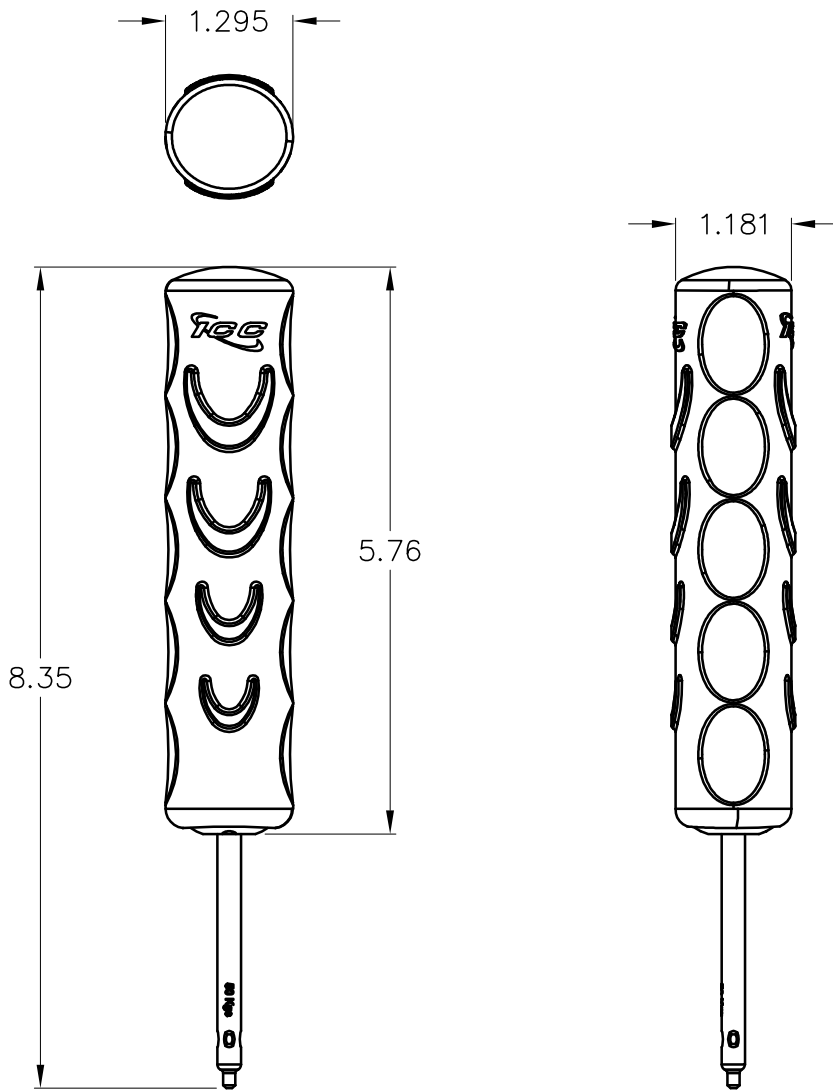
TOOL, 1 10 PUNCHDOWN, 4-PAIR, HANDLE

ITEM NO. ICACSPDT04
DWG NO. PSACSPDT04

REV. A
PAGE NO. 1



CUSTOMER CARE / TECHNICAL SUPPORT * CSR@ICC.COM / 888-ASK-4-ICC (275-4422) * 14700 Alondra Blvd., La Mirada, CA 90638 * www.icc.com




NOTE: UNLESS OTHERWISE SPECIFIED

1. MATERIAL:

- A. BODY: ALUMINUM 6061-T6
- B. INTERNAL PART: S45C
- C. HANDLE: THERMOS PLASTIC RUBBER, BLUE
- D. FINISH: MATTED TEXTURE

2. MECHANICAL: IMPACT: 50 KGS (FOR 24~22 AWG WIRES)



TOOL, 110 PUNCHDOWN, 4-PAIR, HANDLE		 Premium Products Proven Performance Competitive Prices	
ITEM NO.	ICACSPDT04		REV. A
DWG NO.	PSACSPDT04	PAGE NO.	2

CUSTOMER CARE / TECHNICAL SUPPORT * CSR@ICC.COM / 888-ASK-4-ICC (275-4422) * 14700 Alondra Blvd., La Mirada, CA 90638 * www.icc.com