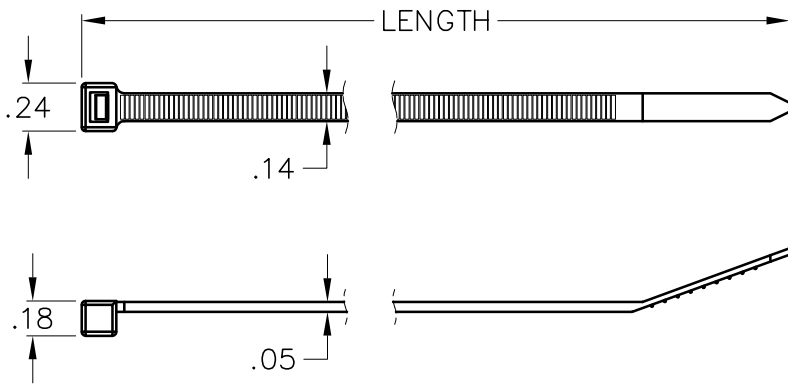
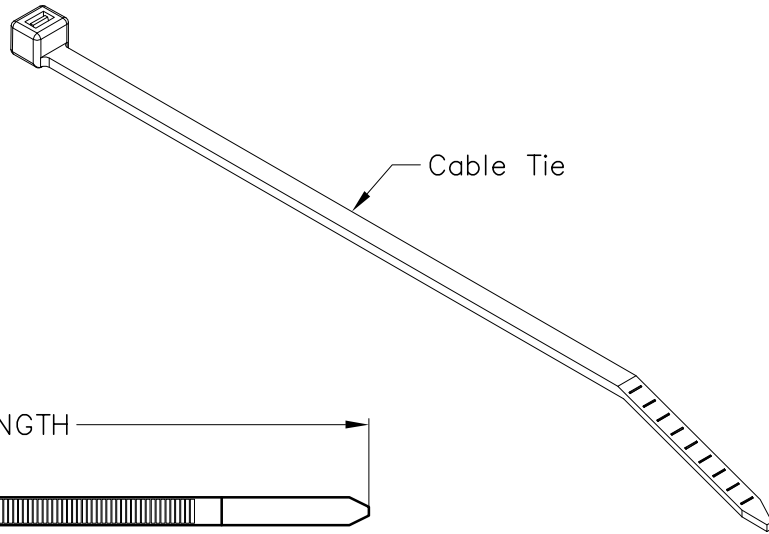


40 lbs Cable Tie

PRODUCT SPECIFICATION

Package includes:

A. 40 lbs Cable Tie, 100 pcs



ITEM NUMBER	LENGTH (IN)	MAXIMUM BUNDLE DIAMETER (IN)
ICACSM06BK	5.91	1.38
ICACSM06NL	5.91	1.38
ICACSM85BK	8.46	2.20
ICACSM85NL	8.46	2.20
ICACSM12BK	11.81	2.99
ICACSM12NL	11.81	2.99

NOTE: UNLESS OTHERWISE SPECIFIED

1. MATERIAL: NYLON 66
2. COLOR: NL-NATURAL, BK-BLACK

Features and Benefits:

- All nylon, one-piece construction up to 40 lbs minimum loop tensile strength.
- Easy and fast installation.
- Durable and strong.
- Operating temperature from 14°F to 185°F (-10°C to 85°C).
- Flammability rating UL 94V-2.
- UL Listed.
- MIL SPEC approved where applicable.



CABLE TIE, 40 LBS, 100 PK

ITEM NO. SEE TABLE 1
 DWG NO. PSACSM0000

REV. C
 PAGE NO. 1



CUSTOMER CARE / TECHNICAL SUPPORT * CSR@ICC.COM / 888-ASK-4-ICC (275-4422) * 14700 Alondra Blvd., La Mirada, CA 90638 * www.icc.com