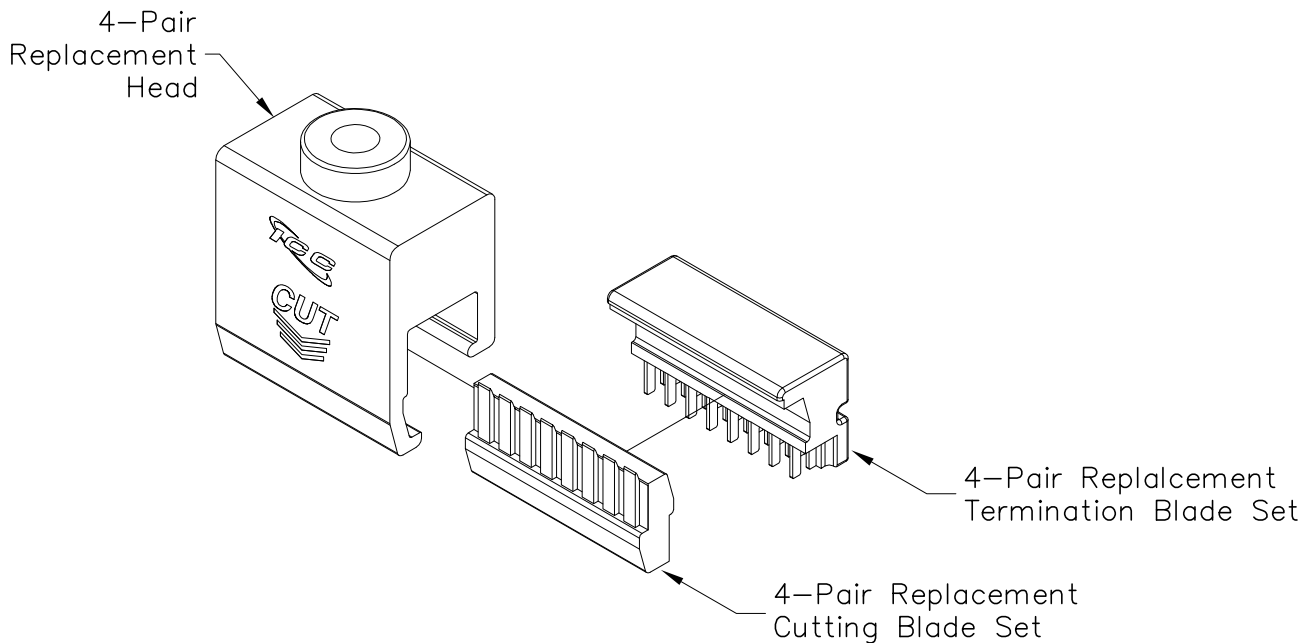


# 4-Pair 110 Replacement Head CAT 5e

## PRODUCT SPECIFICATION

### Package includes:


- A. 4-Pair Replacement Head, 1 pc
- B. 4-Pair Replacement Terminator Blade Set, 1 pc
- C. 4-Pair Replacement Cutting Blade Set, 1 pc



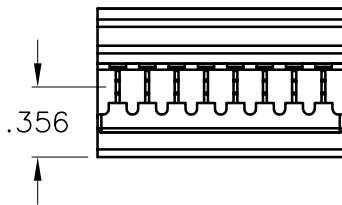
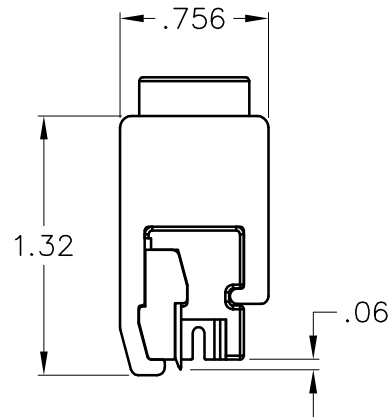
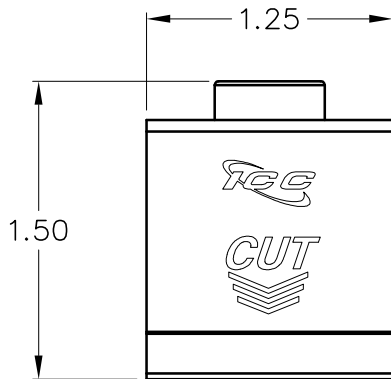
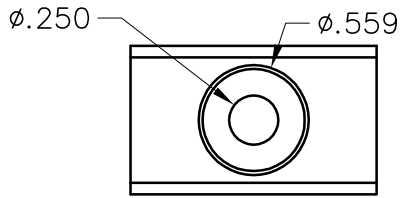
### Features and Benefits:

- Manufactured from high quality aluminum for strength and durability.
- Designed for ICACSPDT04 4-pair 110 punch down tool.
- Cuts excess wire and terminates 4-pairs with one impact.
- Compatible with ICC's CAT 5e Patch Panels.



<b>110 REPLACEMENT HEAD, 4-PAIR, CAT 5e</b>		 <b>Premium Products</b> <b>Proven Performance</b> <b>Competitive Prices</b>	
ITEM NO.	ICACS04PH5		REV. B
DWG NO.	PSACS04PH5	PAGE NO.	1


CUSTOMER CARE / TECHNICAL SUPPORT \* CSR@ICC.COM / 888-ASK-4-ICC (275-4422) \* 14700 Alondra Blvd., La Mirada, CA 90638 \* www.icc.com



**NOTE: UNLESS OTHERWISE SPECIFIED**

1. MATERIAL:
  - A. HEAD: AL 6061
  - B. TERMINATOR: NYLON-FIBLE
  - C. CUTTER: SK-5
2. FINISH: MATTED TEXTURE
3. HARDNESS: BLADE: HRC 50-60°



<b>1 10 REPLACEMENT HEAD, 4-PAIR, CAT 5e</b>		 Premium Products Proven Performance Competitive Prices	
ITEM NO.	ICACS04PH5		REV. B
DWG NO.	PSACS04PH5		PAGE NO. 2

CUSTOMER CARE / TECHNICAL SUPPORT \* CSR@ICC.COM / 888-ASK-4-ICC (275-4422) \* 14700 Alondra Blvd., La Mirada, CA 90638 \* www.icc.com