

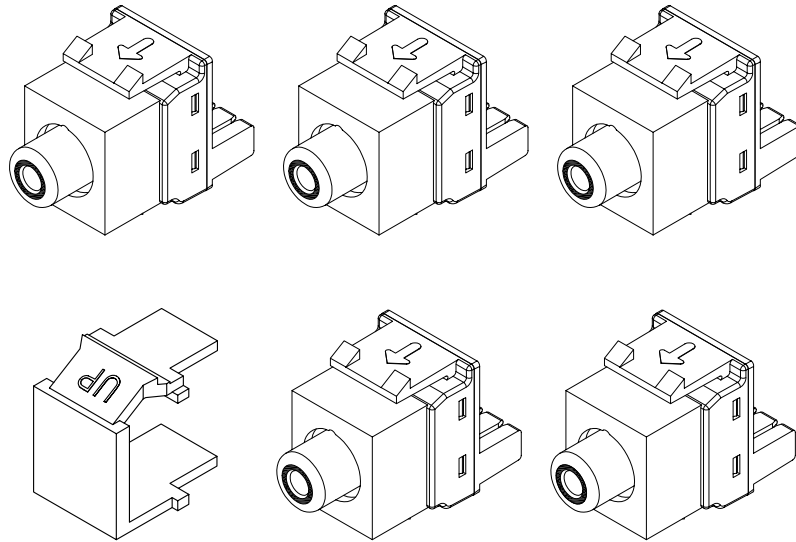
# RCA IDC, Gold Plated, Component Kit

## PRODUCT SPECIFICATION



### Package includes:

- A. RCA to 110 IDC, Red Insulator, 2 pcs
- B. RCA to 110 IDC, Green Insulator. 1 pc
- C. RCA to 110 IDC, Blue Insulator, 1 pc
- D. RCA to 110 IDC, White Insulator, 1 pc
- E. Blank Module, 1 pc

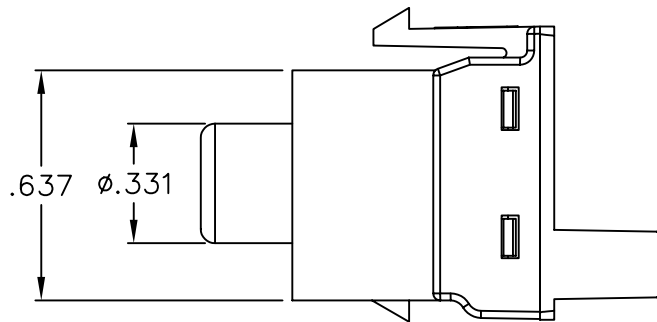
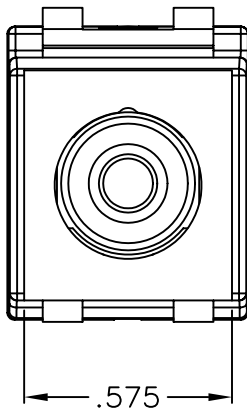
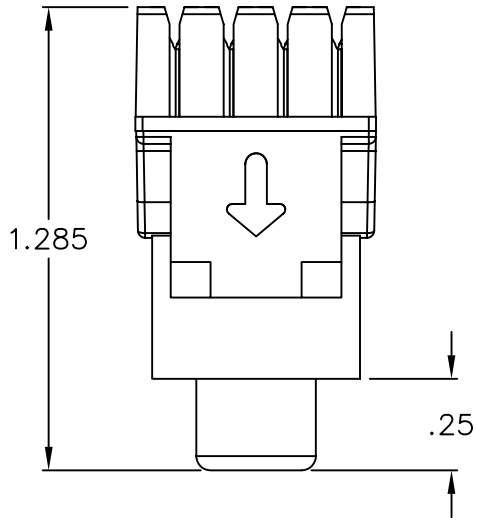


### Features and Benefits:

- Gold plating for improved performance with superior signal quality with minimal noise
- Used for audio and video applications
- Designed for twisted pairs using the popular and easy 110 IDC termination, eliminating the need for soldering on the rear side
- Colored insulators providing for quick and easy identification of the type of signal carried on the circuit, making it easy to separate audio and video signals
- Provides a clean and neat appearance installation
- Compatible with all IC107 faceplates, inserts, surface mount boxes, and blank patch panels
- Compatible with all IC108 furniture faceplates, bezels, and surface mount boxes
- Housing color available in almond, black, ivory, and white

|   |            |  |            |
|---|------------|--|------------|
| <b>MODULE, RCA IDC, GOLD, COMPONENT KIT</b> |            |  |            |
| ITEM NO.                                    | IC107RD500 |  | REV. C     |
| DWG NO.                                     | PS107RD500 |  | PAGE NO. 1 |

CUSTOMER CARE / TECHNICAL SUPPORT \* CSR@ICC.COM / 888-ASK-4-ICC (275-4422) \* 14700 Alondra Blvd., La Mirada, CA 90638 \* www.icc.com



**NOTE: UNLESS OTHERWISE SPECIFIED**

- 1. HOUSING:
  - A. MATERIAL: ABS, UL 94V-0
  - B. COLOR: XX: AL-ALMOND, BK-BLACK, IV-IVORY, & WH-WHITE
- 2. MECHANICAL
  - A. BODY: BRASS WITH FLASH GOLD PLATING
  - B. INSULATION: PP
  - C. CONTACT: BRASS WITH FLASH NICKEL PLATING
- 3. ELECTRICAL:
  - A. CONTACT RESISTANCE: 30M OHM MAX.
  - B. INSULATION RESISTANCE: 100M OHM MIN. @ 500V DC
  - C. DIELECTRIC STRENGTH: 500V FOR ONE MINUTE



|   |            |   |        |
|---|------------|---|--------|
| <b>MODULE, RCA IDC, GOLD, COMPONENT KIT</b> |            | <br><b>PremiumProducts</b><br><b>ProvenPerformance</b><br><b>CompetitivePrices</b> |        |
| ITEM NO.                                    | IC107RD500 |   | REV. C |
| DWG NO.                                     | PS107RD500 | PAGE NO.  | 2      |

CUSTOMER CARE / TECHNICAL SUPPORT \* CSR@ICC.COM / 888-ASK-4-ICC (275-4422) \* 14700 Alondra Blvd., La Mirada, CA 90638 \* www.icc.com