

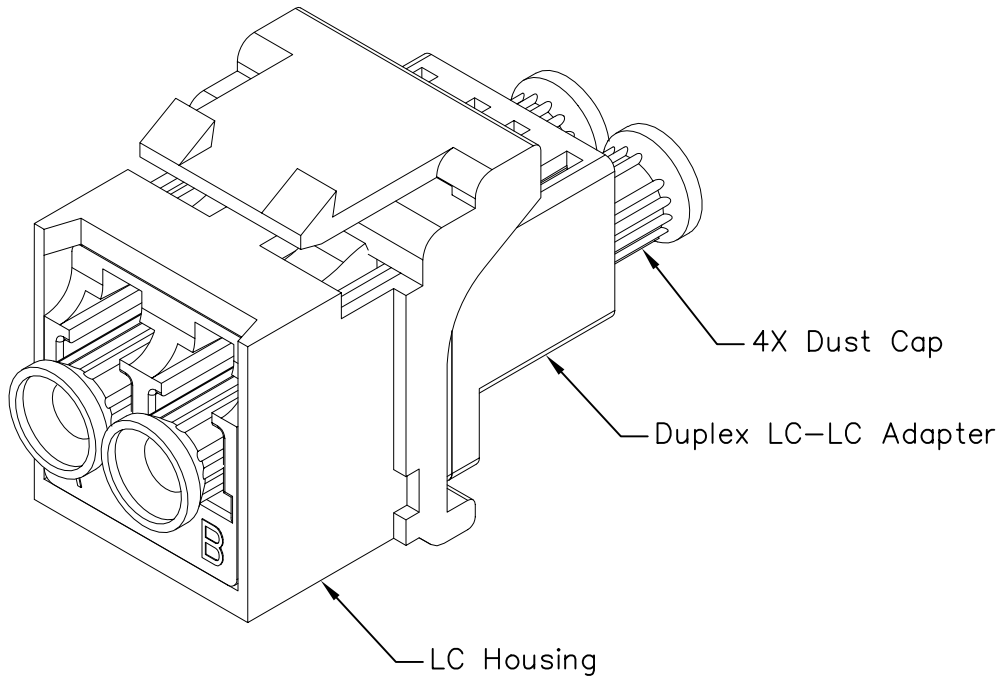
# SM/MM Duplex LC-LC Fiber Optic Module

## PRODUCT SPECIFICATION



### Package includes:

- A. Duplex LC-LC Adapter, 1 pc
- B. Dust Cap, 4 pcs
- C. LC Housing, 1 pc

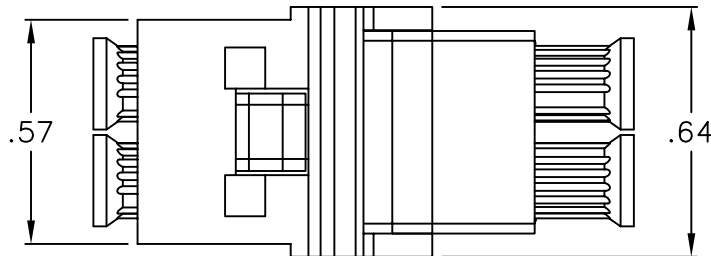
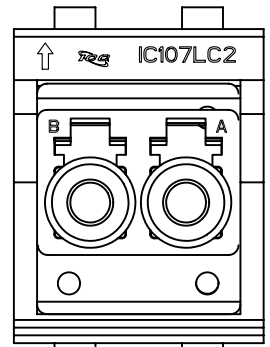
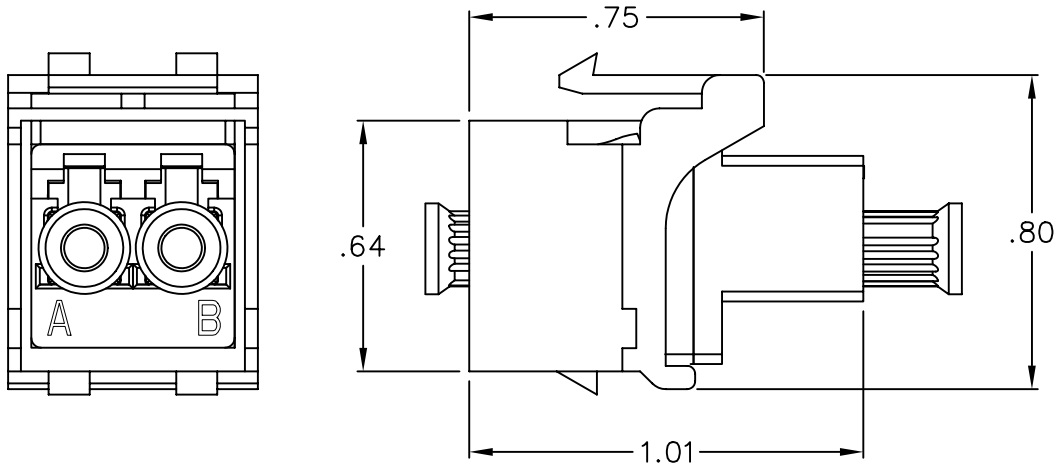
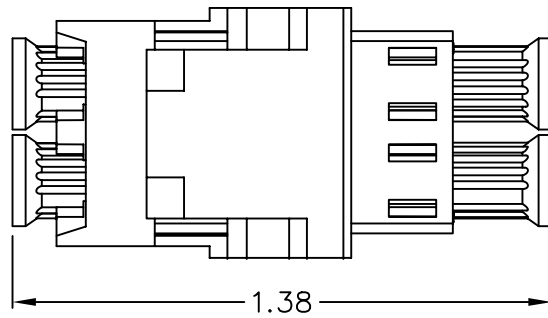


### Features and Benefits:

- Supports optical applications in bringing fiber to the desktop for both multimode and singlemode
- Viable solution for high speed data transmission and broadband internet
- Small Form Factor (SFF) adapter reduces space requirements by 50% over conventional fiber connectivity
- Compatible with all IC107 faceplates, inserts, surface mount boxes, and blank patch panels
- Compatible with all IC108 furniture faceplates, bezels, and surface mount boxes
- Available in ivory and white
- UL listed

<b>MODULE, FIBER OPTIC, LC, DUPLEX</b>			
ITEM NO.	IC107LC2XX		REV. B
DWG NO.	PS107LC200		PAGE NO. 1

CUSTOMER CARE / TECHNICAL SUPPORT \* CSR@ICC.COM / 888-ASK-4-ICC (275-4422) \* 14700 Alondra Blvd., La Mirada, CA 90637 \* www.icc.com



**NOTE: UNLESS OTHERWISE SPECIFIED**

1. HOUSING:

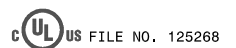
- A. MATERIAL: ABS, UL 94V-0
- B. COLOR: XX: IV-IVORY & WH-WHITE


2. LC-LC ADAPTER:

- A. MATERIAL: ZIRCONIA (CERAMIC) SLEEVE
- B. COLOR: BLUE

3. DUST CAP:

- A. MATERIAL: PLASTIC
- B. COLOR: WHITE



<b>MODULE, FIBER OPTIC, LC, DUPLEX</b>		 <b>PremiumProducts</b> <b>ProvenPerformance</b> <b>CompetitivePrices</b>	
ITEM NO.	IC107LC2XX		REV. B
DWG NO.	PS107LC200		PAGE NO. 2

CUSTOMER CARE / TECHNICAL SUPPORT \* CSR@ICC.COM / 888-ASK-4-ICC (275-4422) \* 14700 Alondra Blvd., La Mirada, CA 90637 \* www.icc.com