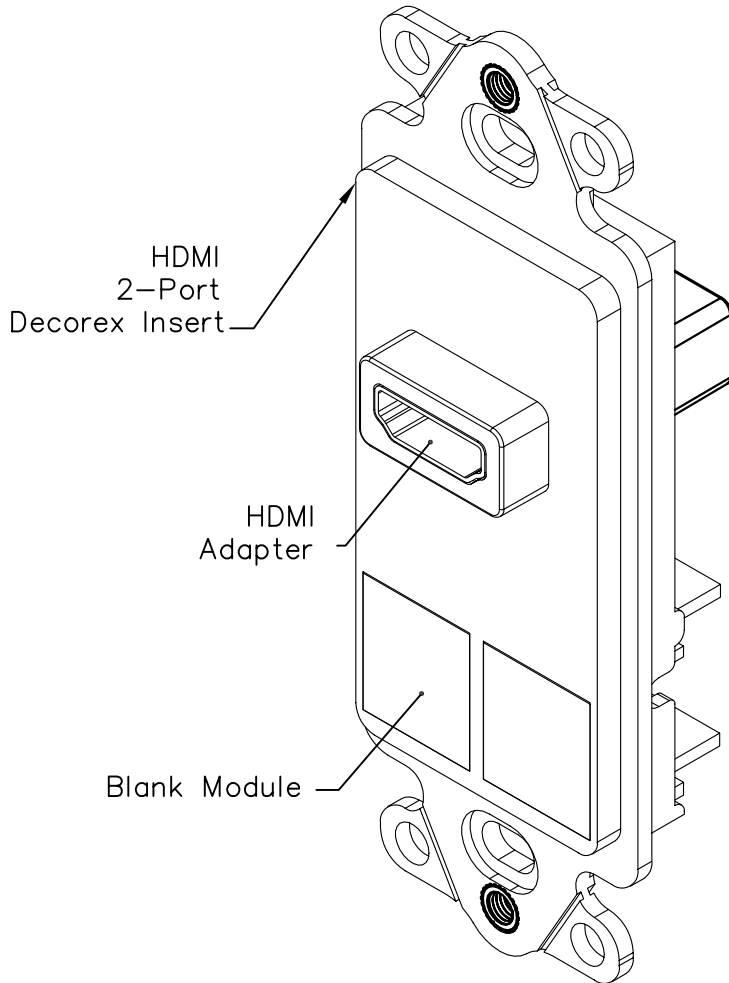


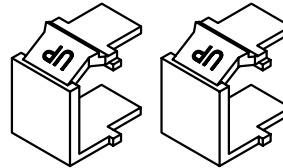
HDMI, 2-Port Decorex Insert

PRODUCT SPECIFICATION



Package includes:

- A. HDMI, 2-Port, Decorex Insert, 1 pc
- B. Blank Module, 2 pcs



- C. #6-32 x 3/4" Pan Head Machine Screw, 2 pcs



Features and Benefits:

- Designed to distribute high quality video, audio and other communication needs with contemporary styling for commercial or residential applications
- HDMI (High Definition Multimedia Interface) connectors are ideal for high-definition video and audio devices
- Fits standard NEMA electrical boxes
- Rugged and durable construction
- Designed for a consistent look with standard decorator style faceplates
- Compatible with all IC107 Decorex faceplates
- Accommodates a wide variety of easy to snap-in modules, providing configuration flexibility
- Compatible with all IC107 HD modules
- Housing available in almond, black, ivory, and white

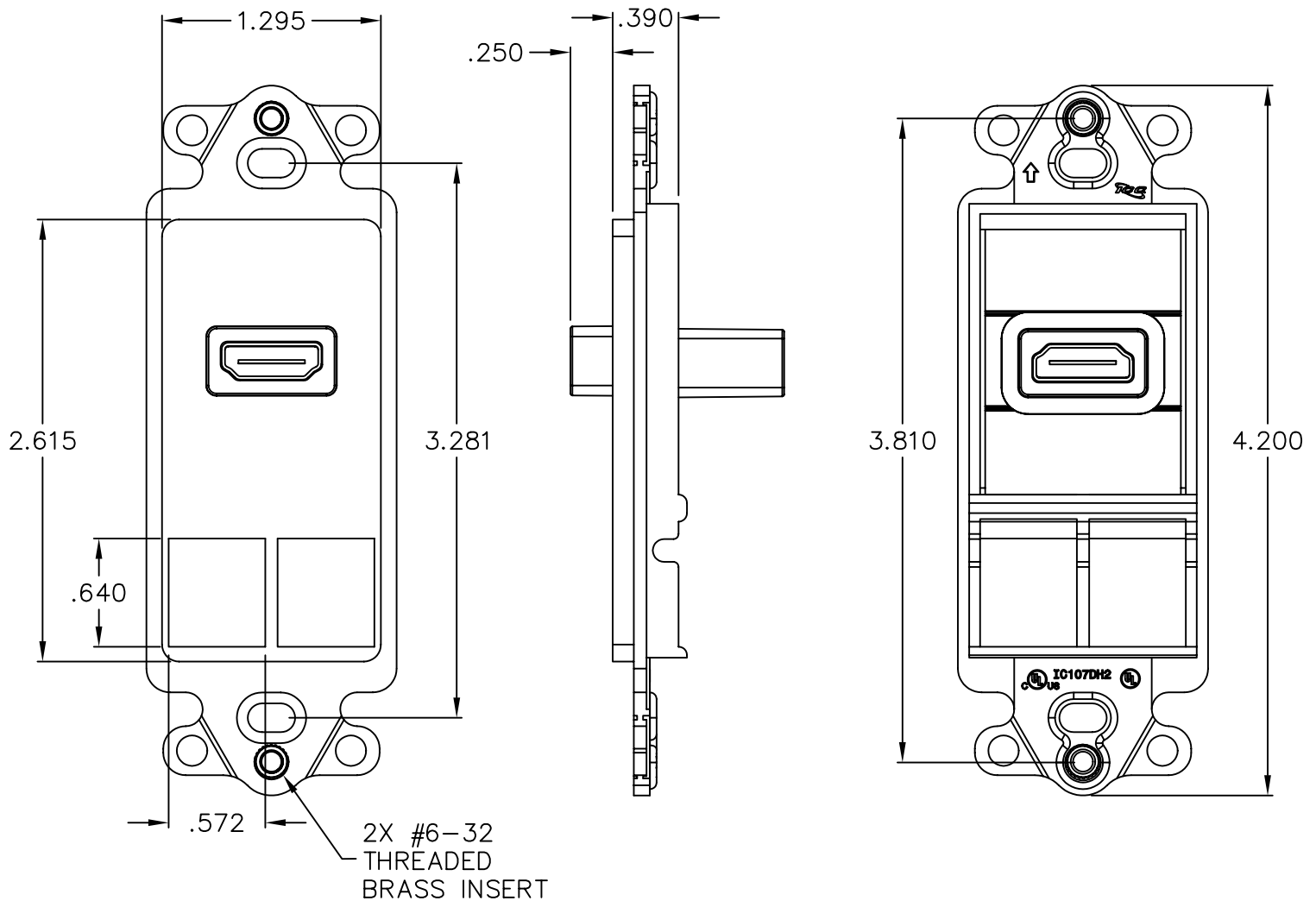
INSERT, DECOREX, HDMI, 2-PORT

ITEM NO. IC107DH2XX
 DWG NO. PS107DH200

REV. C
 PAGE NO. 1




CUSTOMER CARE / TECHNICAL SUPPORT * CSR@ICC.COM / 888-ASK-4-ICC (275-4422) * 14700 Alondra Blvd., La Mirada, CA 90638 * www.icc.com



NOTE: UNLESS OTHERWISE SPECIFIED

1. MATERIAL: ABS, UL 94V-0
2. COLOR: XX: AL-ALMOND, BK-BLACK, IV-IVORY & WH-WHITE
3. MECHANICAL:
 - A. FINISH: BRASS WITH FLUSH GOLD PLATING
 - B. PLASTIC COVER: PVC
4. ELECTRICAL:
 - A. DIFFERENTIAL IMPEDANCE:
 - CABLE AREA: 100 OHMS +/- 10
 - 100% OPEN SHORT MIS-WIRE TEST
 - B. CONTACT RESISTANCE: 2 OHM MAX.
 - C. INSULATION RESISTANCE: 10 MEGA OHM (MIN.)
 - D. WITHSTAND VOLTAGE: 0.1 SEC. DC 200V
 - E. HI-POT: AC 200V/ 1.0mA
 - F. INSTANTANEOUS OPEN/SHORT: 1 SEC.



INSERT, DECOREX, HDMI, 2-PORT		 Premium Products Proven Performance Competitive Prices	
ITEM NO.	IC107DH2XX		REV. C
DWG NO.	PS107DH200		PAGE NO. 2

CUSTOMER CARE / TECHNICAL SUPPORT * CSR@ICC.COM / 888-ASK-4-ICC (275-4422) * 14700 Alondra Blvd., La Mirada, CA 90638 * www.icc.com