

Color Video Entry Panels and Accessories

APPLICATION

The Ophera Video Entry system integrates high quality color video and audio components in a stylish combination intended to complement any décor. A wide range of appealing and innovative features makes Ophera the recognized choice for moderate sized MDU and custom residential projects. The system operates independent of data networks using proven analog technology.

SPECIFICATION

The video entry panels shall be weather resistant and have LED backlit buttons. Video cameras shall be suitable for day and night operation, operate with a minimum illumination of 50 lux, and have a minimum resolution of 330 lines. Color video panels shall be capable of providing at least 2 call buttons, as well as being paired with a digital keypad for larger systems. The video entry system shall have the ability to support up to 4 entry stations and a maximum of 100 apartments or suites.

FEATURES

- Weather resistant video entry station
- Integrated low-light color video camera with adjustable angle of view
- Adjustable microphone and speaker volume levels
- LED backlit buttons
- LCD display on Digital Keypad model with customizable text message
- Adjustable door release time from 1 to 15 seconds

DESIGN CONSIDERATIONS

- Camera viewing area at 20" (500 mm) from panel is 28" wide x 21" high (710 mm x 530 mm).
- Entry panels powered by BC100-0VA or BC100-VAS.
- Maximum of four entry panels per system
- BT102-01G Video Entry Panel can be used individually or paired with BT200-DPG Digital Keypad panel.
- Digital Keypad requires BT500-HAC (not included) and BT700-HTG (not included)
- BT102-01G includes a single push-button, but may be expanded to 2-button operation with BT600-HPS kit.
- Color Video panels (BT102-01G) and Digital Keypad panels (BT200-DPG) can be flush-mounted in drywall, concrete, or masonry with use of BT700-HTI plastic embedding box. Entry panels may also be surface-mounted using BT700-HBT metal box w/ rain cover (not included).



BT102-01G



BT200-DPG

STANDARDS COMPLIANCE

Meets or exceeds all applicable standards:

- CE
- FCC Part 15

COUNTRY OF ORIGIN

Italy

WARRANTY INFORMATION

For a copy of Leviton product warranties, visit www.leviton.com.

PART NUMBERS

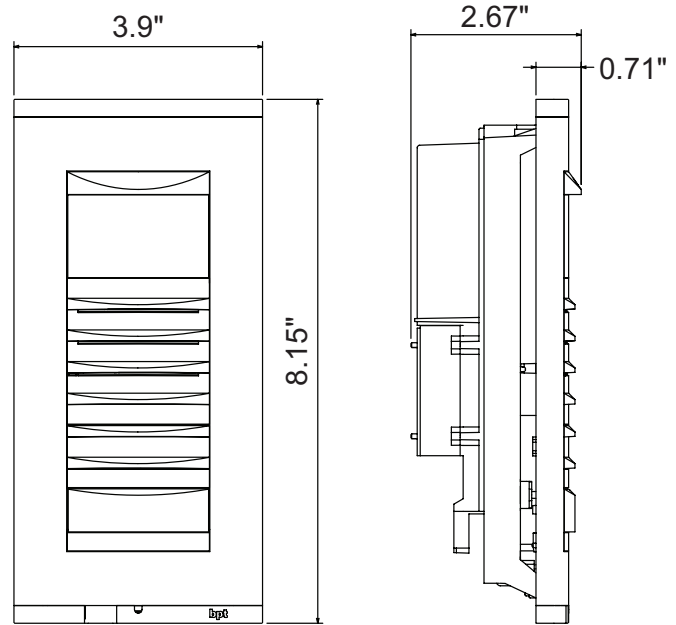
Description	Part No.
1-Button Color Video Entry Panel, X1 system, grey	BT102-01G
Digital Entry Panel with name directory, grey	BT200-DPG
Interface module for digital entry panel	BT500-HAC
Single Push Button Kit	BT600-HPS
Plastic embedding box for entry panel	BT700-HTI
Plastic embedding box with frame (grey) for entry panel	BT700-HTG
Metal Surface Mount Box w/ Rain Cover for entry panel	BT700-HBT

ELECTRONIC FILES

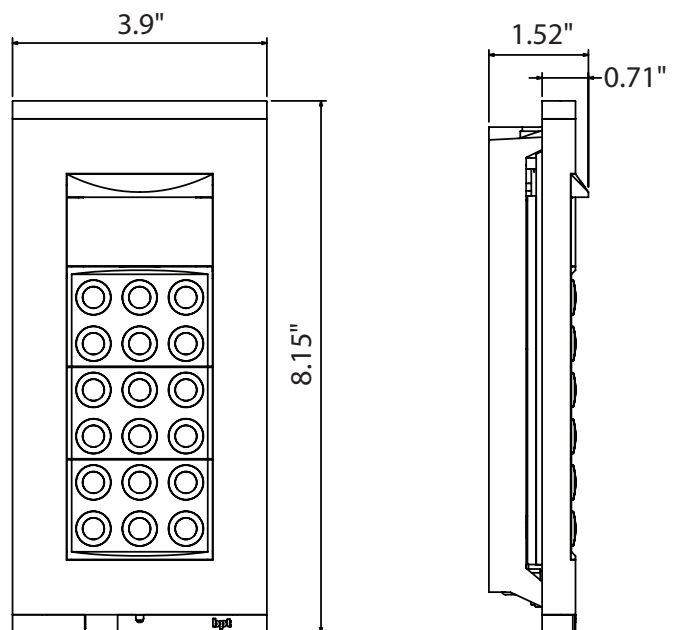
For CAD files, typical specs, or technical drawings (.DXF, .DWG, Visio), visit www.leviton.com.

TECHNICAL SPECIFICATIONS

Electrical	
Supply Voltage (BT102-01G)	14-18 VDC
Current Demand	
BT102-01G	380 mA (nominal) / 880 mA (w/ door released)
BT200-DPG	350 mA
BT500-HAC	25 mA
Video (BT102-01G)	
Video signal	NTSC
Video sensor	¼" CCD
Video output	1 Vpp composite, 75Ω
Resolution	330 lines
Minimum illumination	50 lux
Iris control	automatic electronic
Lens	fixed-focus f3.7 / F5 (pinhole)
Dimensions	
BT102-01G	3.9" x 8.15" x 2.67" (100mm x 208mm x 68mm)
BT200-DPG	3.9" x 8.15" x 1.52" (100mm x 208mm x 39mm)
BT500-HAC	2.63" x 1.92" x 0.63" (67mm x 49mm x 16mm)
BT700-HTI	3.54" x 7.8" x 2.03" (90mm x 158mm x 52mm)
BT700-HBT	4.02" x 8.31" x 3.05" (102mm x 211mm x 78mm)
Environmental	
Operating Temperature	
BT102-01G, BT200-DPG	5° F to 122° F (-15° C to 50° C)
BT500-HAC	32° F to 95° F (0° C to 35° C)

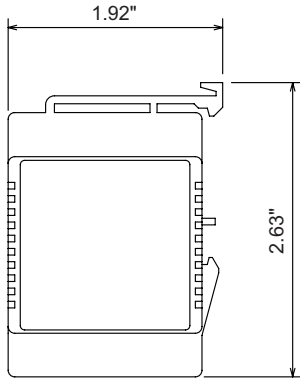


BT102-01G

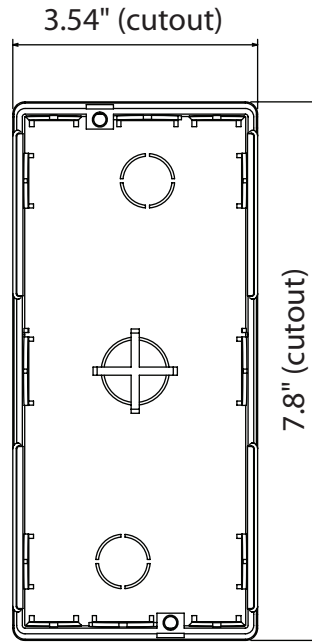
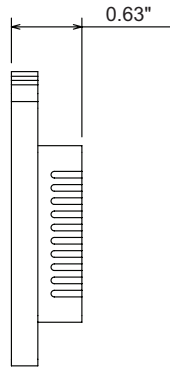


BT200-DPG

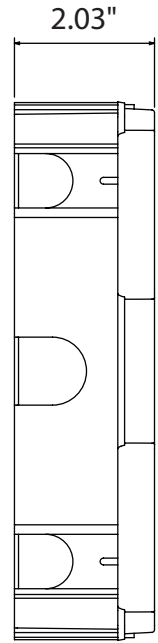
BT102-01G, BT200-DPG, BT500-HAC, BT600-HPS, BT700-Hxx



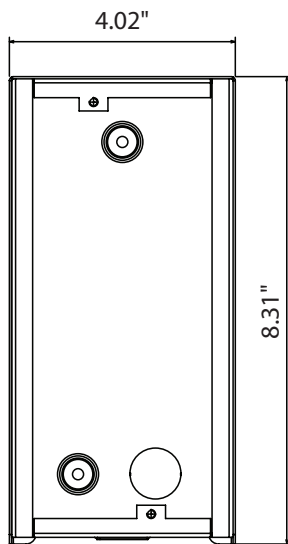
BT500-HAC



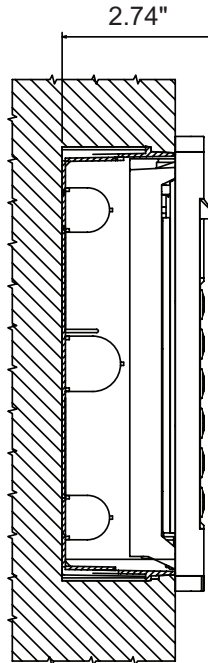
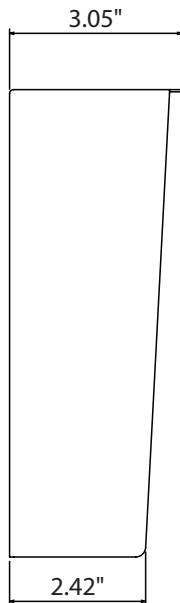
BT700-HTI



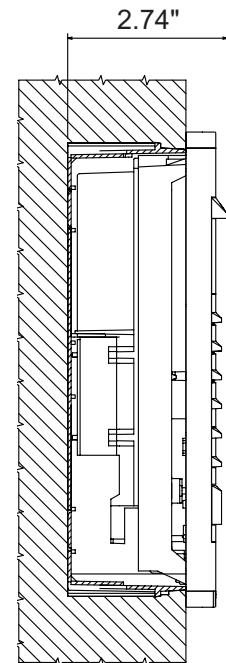
In-wall depths
 for entry panels



BT700-HBT



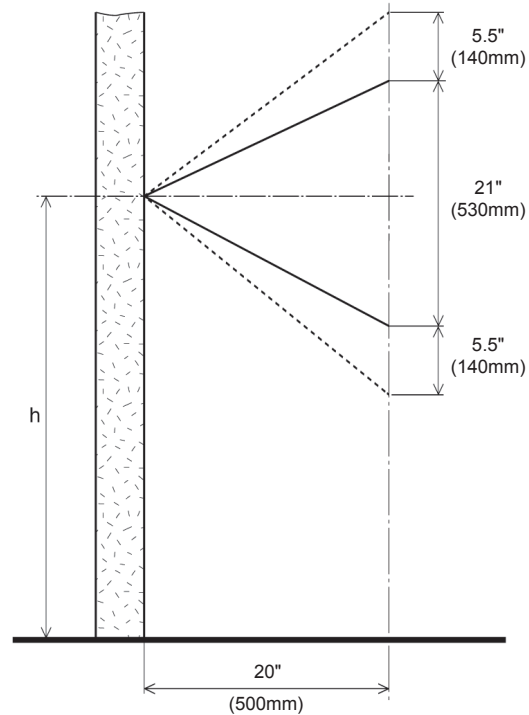
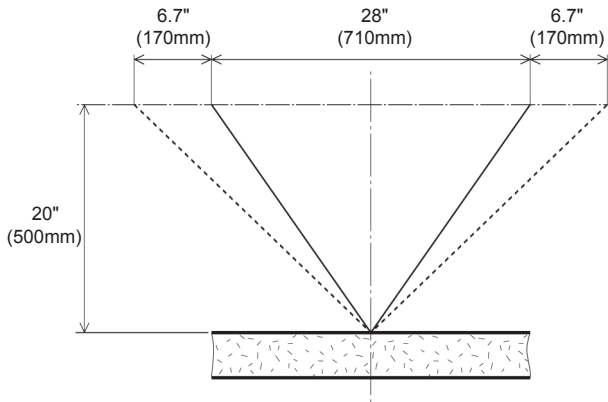
BT200-DPG



BT102-01G

BT102-01G, BT200-DPG, BT500-HAC, BT600-HPS, BT700-Hxx

Camera Field of View



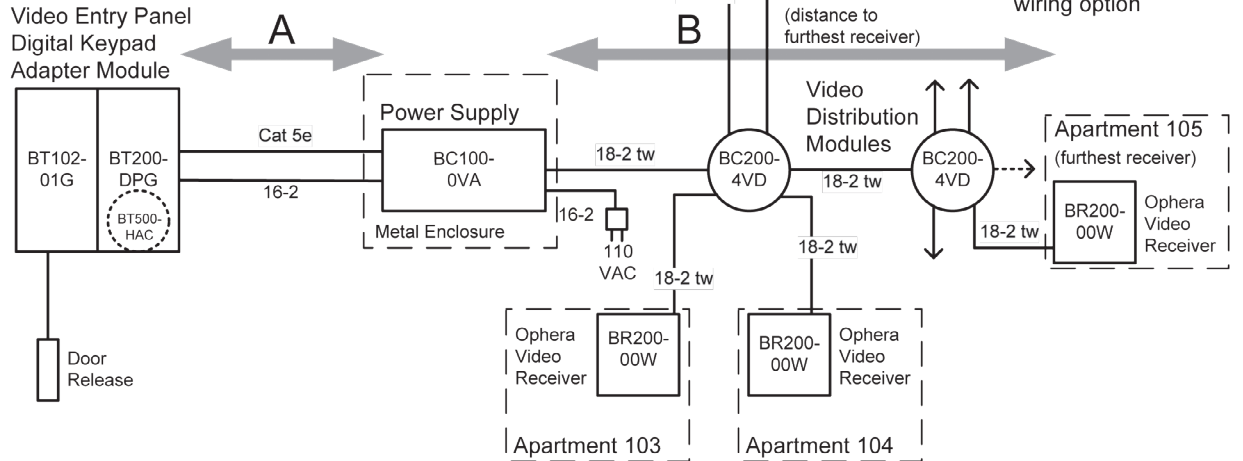
Note: Recommended mounting height of camera (h) is 60 inches.

Example System:

One entry point, 5 apartments with an Ophera Video Receiver in each unit, central powering

Maximum System Capability:

Four entry points, 100 dwelling units, up to 8 Ophera Receivers/intercoms in each dwelling unit (intercom capability requires local powering)



Wiring Method	Max. Distance
1 pair Cat 5e (Data) 16-2 (Power)	495 ft.
1 pair Cat 5e (Data) 2-pair Cat 5e (Power)	165 ft.

Wiring Method	Max. Distance
1 pair 18-2 twisted	328 ft.
1 pair Cat 5e	82 ft.

Note: Regardless of wiring method used, maximum distance from Entry Panel to farthest receiver (A + B) cannot exceed 495 feet. This distance may be increased with the addition of Extender Unit part number BC100-XAS.

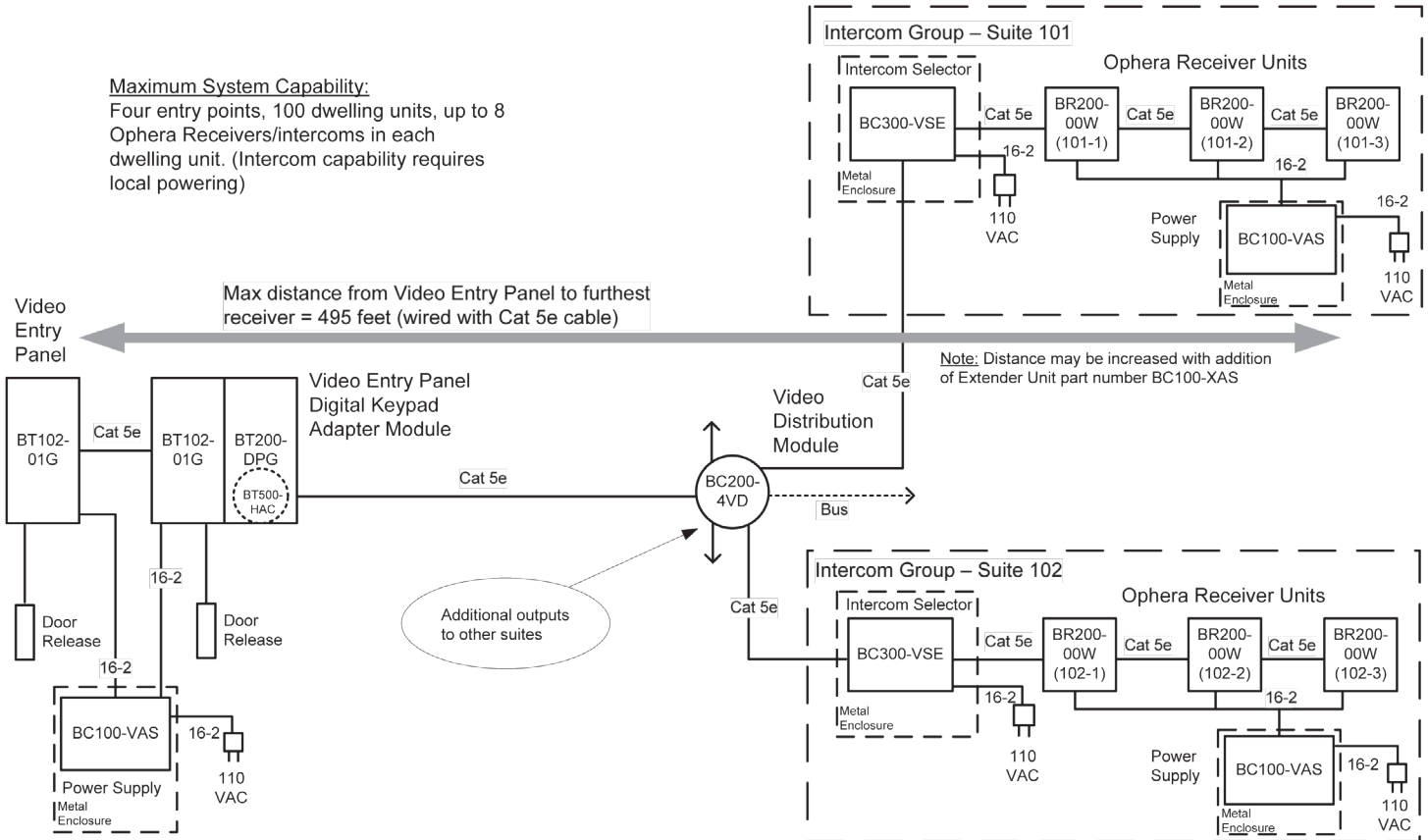
BT102-01G, BT200-DPG, BT500-HAC, BT600-HPS, BT700-Hxx

Example System:

Two entry points, multiple suites (2 shown) with 3 Ophera Video Receiver/intercoms in each suite, local powering, Cat 5e wiring

Maximum System Capability:

Four entry points, 100 dwelling units, up to 8 Ophera Receivers/intercoms in each dwelling unit. (Intercom capability requires local powering)



BT102-01G, BT200-DPG, BT500-HAC, BT600-HPS, BT700-HXX

