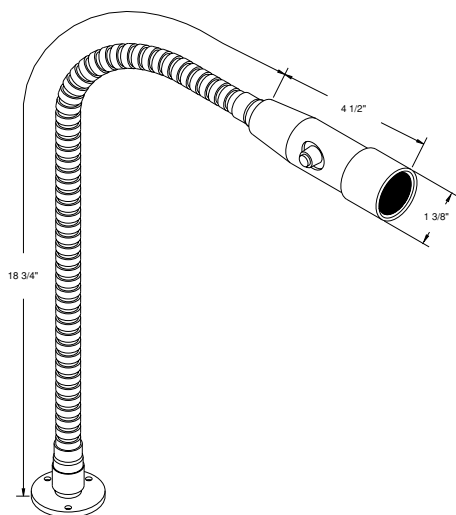


DESCRIPTION

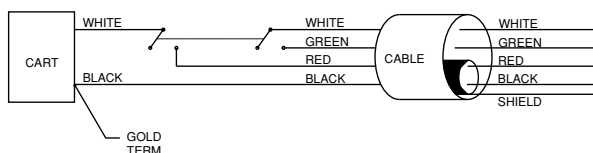
The Bogen Model MGN19 is a push-button, omni-directional, dynamic microphone designed for quality sound installations. The microphone is extremely rugged and reliable and is designed to stand up under the most strenuous handling conditions to provide years of dependable service. A smooth wide band frequency response with a slight intentional "presence" boost at 2000 Hz gives a natural, crisp, highly intelligible sound. The microphone is furnished with a 18-3/4" fully flexible gooseneck mounting flange.



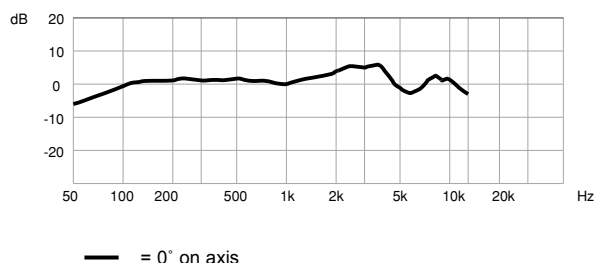
SPECIFICATIONS

Element:	Dynamic
Polar Pattern:	Omni-directional
Frequency Response:	50 to 12,000 Hz
Output:	-58 dB (0 dB = 1 mw/10 microbars) -152 dB EIA
Impedance:	400 ohms, matches 150 to 600 ohms
Switch:	DPDT push-button operated sealed microswitch
Cable:	7-feet of four-conductor; two-shielded, permanently attached, rugged, synthetic jacketed cable
Dimensions:	23-1/4" H x 1-3/8" dia.
Product Weight:	1-1/4 lbs.
Finish:	Chrome-plated screen, black Cyclac cap and housing
Gooseneck:	Chrome-plated, 18-3/4"

WIRING DIAGRAM



FREQUENCY RESPONSE GRAPH



LIMITED WARRANTY

Bogen microphones are warranted to be free from defects in material or workmanship provided that the product has not been subjected to abuse or accident or altered in any way for one (1) year from the date of sale to the original purchaser. Any part of the product covered by this warranty that, with normal installation and use, becomes defective will be repaired or replaced by Bogen, at our option, provided the product is shipped insured and prepaid to: Bogen Factory Service Department, 50 Spring Street, Ramsey, NJ 07446, USA. The product will be returned to you freight prepaid. This warranty does not extend to any of our products that have been subjected to misuse, improper storage, neglect, accident, improper installation or have been modified or repaired in any manner that Bogen believes may affect the reliability of the product, or where the serial number or date code has been removed or defaced.

THE FOREGOING LIMITED WARRANTY IS BOGEN'S SOLE AND EXCLUSIVE WARRANTY AND THE PURCHASER'S SOLE AND EXCLUSIVE REMEDY. BOGEN MAKES NO OTHER WARRANTIES OF ANY KIND, EITHER EXPRESS OR IMPLIED, AND ALL IMPLIED WARRANTIES OF MERCHANTABILITY OR FITNESS FOR A PARTICULAR PURPOSE ARE HEREBY DISCLAIMED AND EXCLUDED. Bogen's liability arising out of the manufacture, sale or supplying of products or their use or disposition, whether based upon warranty, contract, tort or otherwise, shall be limited to the price of the product. In no event shall Bogen be liable for special, incidental or consequential damages (including, but not limited to, loss of profits, loss of data or loss of use damages) arising out of the manufacture, sale or supplying of products, even if Bogen has been advised of the possibility of such damages or losses.

Products that are out of warranty will also be repaired by the Bogen Factory Service Department -- same address as above or call 201-934-8500. The parts and labor involved in these repairs are warranted for 90 days when repaired by the Bogen Factory Service Department. All shipping charges in addition to parts and labor charges will be at the owner's expense.