



TRUE TOUCH™

Single Pole (One location) or
3-Way (Multi-location)

120VAC, 60Hz

Incandescent

Cat. No. TTI06-1, 600W

Cat. No. TTI10-1, 1000W

Magnetic Low-Voltage

Cat. No. TTM10-1, 1000VA

**Total minimum wattage must
exceed 40W and 40VA**

For use w/ Cat. No. TT00R-1 True Touch™ Remote

INSTALLATION INSTRUCTIONS



PK-92939-10-00-0A

LIMITED 2 YEAR WARRANTY AND EXCLUSIONS

Leviton warrants to the original consumer purchaser and not for the benefit of anyone else that this product at the time of its sale by Leviton is free of defects in materials and workmanship under normal and proper use for two years from the purchase date. Leviton's only obligation is to correct such defects by repair or replacement, at its option, if within such two year period the product is returned prepaid, with proof of purchase date, and a description of the problem to Leviton Manufacturing Co., Inc., Att: Quality Assurance Department, 59-25 Little Neck Parkway, Little Neck, New York 11362-2591 (In Canada send to Leviton Mfg. of Canada Ltd., 165 Hymus Blvd., Point Claire, (Quebec), Canada H9R 1E9). This warranty excludes and there is disclaimed liability for labor for removal of this product or reinstallation. This warranty is void if this product is installed improperly or in an improper environment, overloaded, misused, opened, abused, or altered in any manner, or is not used under normal operating conditions or not in accordance with any labels or instructions. There are no other or implied warranties of any kind, including merchantability and fitness for a particular purpose, but if any implied warranty is required by the applicable jurisdiction, the duration of any such implied warranty, including merchantability and fitness for a particular purpose, is limited to two years. Leviton is not liable for incidental, indirect, special, or consequential damages, including without limitation, damage to, or loss of use of, any equipment, lost sales or profits or delay or failure to perform this warranty obligation. The remedies provided herein are the exclusive remedies under this warranty, whether based on contract, tort or otherwise.

For Technical Assistance Call:
1-800-824-3005 (U.S.A. Only)
1 800 405-5320 (Canada Only)
www.leviton.com



PK-92939-10-00-0A

FEATURES

- Leviton's Decora® style design
- Soft fade ON/OFF
- Color conversion available
- Power interruption less than 10 seconds, dimmer remains in existing state
- ON/OFF LED indicates status of load

FCC COMPLIANCE STATEMENT

This device complies with part 15 of the FCC Rules. Operation is subject to the following two conditions: (1) This device must not cause harmful interference, and (2) This device must accept any interference received, including interference that may cause undesired operation.

INSTALLATION INSTRUCTIONS

WARNING: TO BE INSTALLED AND/OR USED IN ACCORDANCE WITH APPROPRIATE ELECTRICAL CODES AND REGULATIONS.

WARNING: IF YOU ARE NOT SURE ABOUT ANY PART OF THESE INSTRUCTIONS, CONSULT A QUALIFIED ELECTRICIAN.

WARNING: TO AVOID OVERHEATING AND POSSIBLE DAMAGE TO THIS DEVICE AND OTHER EQUIPMENT, **DO NOT** INSTALL TO CONTROL A RECEPTACLE, FLUORESCENT LIGHTING, OR A MOTOR - OR TRANSFORMER - OPERATED APPLIANCE OTHER THAN APPROPRIATE LOW-VOLTAGE LIGHTING.

CAUTION (For Incandescent Only): USE WITH INCANDESCENT OR 120V HALOGEN FIXTURES ONLY.

CAUTION (For Magnetic Low-Voltage Only):

1. USE WITH MAGNETIC LOW-VOLTAGE TRANSFORMERS, INCANDESCENT, OR 120V HALOGEN FIXTURES ONLY. USE A LEVITON ELECTRONIC LOW-VOLTAGE DIMMER TO CONTROL ELECTRONIC (SOLID STATE) LOW-VOLTAGE TRANSFORMERS.
2. WHEN A MAGNETIC LOW-VOLTAGE CIRCUIT IS OPERATED AT A DIM LEVEL, WITH ALL LAMPS INOPERATIVE, EXCESS CURRENT MAY FLOW THROUGH THE TRANSFORMER. TO AVOID POSSIBLE TRANSFORMER FAILURE DUE TO OVERCURRENT, USE A TRANSFORMER THAT INCORPORATES THERMAL PROTECTION OR A FUSE AT THE PRIMARY WINDINGS.

OTHER CAUTIONS:

1. USE ONLY ONE (1) DIMMER PER LOAD. FOR REMOTE OPERATION, USE LEVITON REMOTE, CAT. NO. TT00R-1. **DO NOT** USE A 3-WAY SWITCH.
2. DISCONNECT POWER WHEN SERVICING OR CHANGING BULBS.
3. USE THIS DEVICE ONLY WITH COPPER OR COPPER CLAD WIRE. WITH ALUMINUM WIRE USE ONLY DEVICES MARKED CO/ALR OR CU/AL.

MULTI-GANG INSTALLATION:

When ganging dimmers, the side sections of the mounting strap must be removed. Use pliers to carefully bend side sections back and forth until they break off (**see figure 1**). The side sections dissipate heat, so removing them requires a derating of the dimmer's capacity (**see chart**).

MAXIMUM BULB WATTAGE (For Magnetic Low-Voltage Only):

Low-voltage dimmers are rated in Volt-Amps (VA). The maximum bulb wattage is determined by the efficiency of the transformer in the low-voltage lighting system. Transformer efficiencies will vary from different manufacturers; consider 75% efficient as average. Use the chart to determine maximum bulb wattage for typical transformer efficiency ratings.

TO INSTALL:

1. **WARNING:** TO AVOID FIRE, SHOCK, OR DEATH; TURN OFF POWER AT CIRCUIT BREAKER OR FUSE AND TEST THAT POWER IS OFF BEFORE WIRING!
2. Remove existing wallplate and switch or dimmer, if applicable.
3. Remove 3/4" (1.9 cm) of insulation from each circuit conductor. Make sure that ends of conductors are straight.
4. Connect lead wires per appropriate WIRING DIAGRAM as follows: **WARNING: CONNECT A MAGNETIC LOW-VOLTAGE DIMMER ONLY TO THE PRIMARY (HIGH-VOLTAGE) SIDE OF A MAGNETIC LOW-VOLTAGE TRANSFORMER.** Twist strands of each lead tightly and, with circuit conductors push firmly into appropriate wire connector. Screw connectors on clockwise making sure that no bare conductor shows below the wire connectors. Secure each connector with electrical tape.

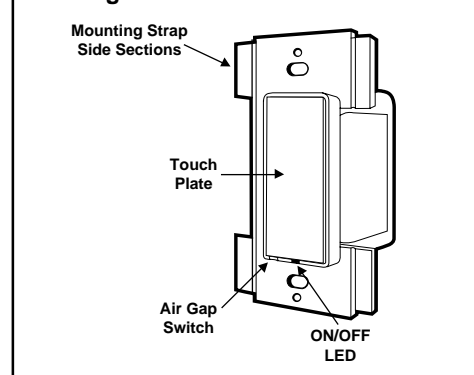
MAXIMUM LOAD PER DIMMER

Cat. No.	Single	Two Gang	More than 2 Gang
TTI06-1	600W	500W	400W
TTI10-1	1000W	800W	700W
TTM10-1	1000VA	800VA	700VA

MAXIMUM BULB WATTAGE AT 75% EFFICIENCY

Rating	Single	Two Gang	More than 2 Gang
1000VA	750W	600W	525W

Figure 1 - Dimmer Functions



Sold by:



NOTE: For single pole applications, cap YELLOW lead with an appropriate size wire connector. Secure connector with electrical tape.

- Restore power at circuit breaker or fuse. Check for proper operation by pressing the touch plate of the dimmer. Verify that the lights come ON. If lights do not turn ON go to Troubleshooting section, otherwise **TURN OFF POWER** and proceed.
- Installation may now be completed by carefully positioning all wires to provide room in outlet box for dimmer. Mount dimmer into box with mounting screws supplied. Attach Decora® wallplate.
- Restore power at circuit breaker or fuse.
INSTALLATION IS COMPLETE.

NOTE: On the lower left corner of the switch plate, there is an air gap switch. When servicing a controlled fixture, pull lever out (OFF position). This will cut the power to the fixture. After servicing is complete, push the lever in (ON position) to restore power. The lever must be pushed in all the way (ON position) for normal operation.

COLOR CONVERSION PROCEDURE

The color of this device can be changed to suit your interior design requirements. Simply obtain a color conversion kit of the appropriate color from your Leviton distributor and proceed as follows (please note that wallplate must be removed).

- Select the color of the face you desire.
- The frame has snaps on its sides. Using a small screwdriver, **gently** remove the frame from the strap (see Figure 2).
- Take the new frame and position it properly to the strap. Notice that the frame has a cut-out for the air-gap switch lever. Line up the plastic snaps with the square holes in the strap. Insert the snaps on one side of the frame into the strap.
- Firmly press sideways and down to slip the other snaps into place. The frame snaps in with an audible click. Ensure that all four snaps are secure. Replace Decora® wallplate. **The color conversion is complete.**

TO OPERATE:

ON: Tap the touch plate of the dimmer. The lights will fade ON at the brightness level last used (LED OFF).

OFF: Tap the touch plate of the dimmer. The lights will fade OFF (LED ON).

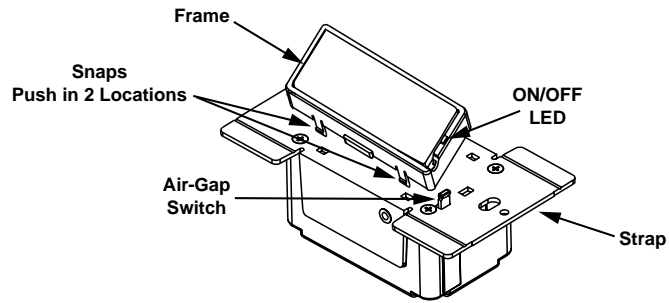
BRIGHTEN & DIM: Press and hold the touch plate of the dimmer to the desired light level. Each time the touch plate is depressed, the state of the lights toggle between Bright and Dim.

CLEANING: To clean touch plate, wipe it with a clean damp cloth using clean water only, dry thoroughly.

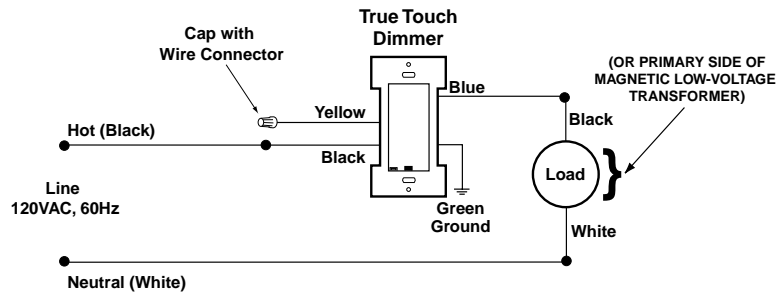
TROUBLESHOOTING

- Light does not turn ON and ON/OFF LED does not turn ON
 - Circuit breaker or fuse has tripped.
 - Lamp is burned out.
 - Lamp is not connected to line Neutral.
 - Air gap switch is open.
- Dimmer does not operate
 - Dimmer BLACK wire miswired to lamp and Dimmer BLUE wire miswired to LINE Hot.
- Light turns ON and Dimmer works, but remote does not work
 - There are no connections from Remote to Dimmer.
 - Remote miswired to Dimmer.
- Lights Flickering
 - Lamp has a bad connection.
 - Lamp power is less than the 40W or 40VA.

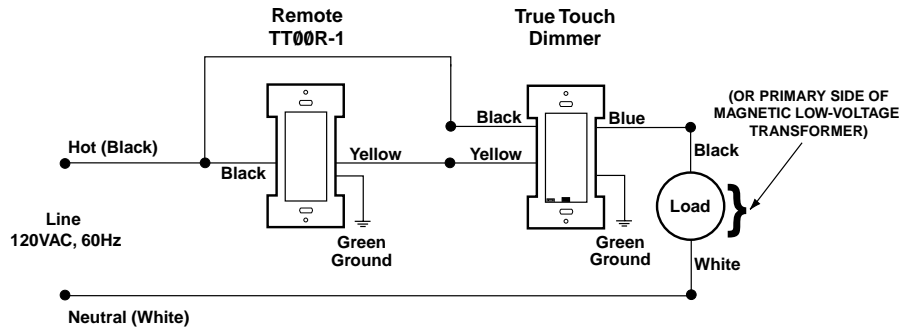
Figure 2 - Color Conversion



Wiring Diagram 1 - Single Control Application



Wiring Diagram 2 - Two Location Control Application



Wiring Diagram 3 - Three Location Control Application

