

Non-metallic Liquidtight Connectors

Flexible Non-metallic Conduit and Tubing Fittings

POLYTUFF® Non-metallic Fittings

Type 4X, 12 and 13



Straight with Male Non-Metallic Liquidtight Fittings

Trade Size (metric designator)	Black Catalog Numbers	Gray Catalog Numbers
3/8" (12)	P038NBKA	P038NGYA
1/2" (16)	P050NBKA	P050NGYA
3/4" (21)	P075NBKA	P075NGYA
1" (27)	P100NBKA	P100NGYA
1/4" (10)	F2025	—
1 1/4" (35)	P125NBK	P125NGY
1 1/2" (41)	P150NBK	P150NGY
2" (53)	P200NBK	P200NGY

Note: See pages T-116 and T-117 for additional technical data and dimensional drawings.



P075NGYA



P125NGY



PSO509NGY - SwivelLok



PSO509NGY - SwivelLok



SwivelLok® Multi-Position with Male Non-Metallic Liquidtight Fittings

Trade Size (metric designator)	Black Catalog Numbers	Gray Catalog Numbers
3/8" (12)	PS0389NBK	PS0389NGY
1/2" (16)	PS0509NBK	PS0509NGY
3/4" (21)	PS0759NBK	PS0759NGY
1" (27)	PS1009NBK	PS1009NGY

Note: See pages T-116 and T-117 for additional technical data and dimensional drawings.



90° Angle with Male Non-Metallic Liquidtight Fittings

Trade Size (metric designator)	Black Catalog Numbers	Gray Catalog Numbers
1/4" (10)	F20259	—
1 1/4" (35)	P1259NBK	P1259NGY

Note: See pages T-116 and T-117 for additional technical data and dimensional drawings.



P1259NGY



SwivelLok Flexible Conduit Kit

Trade Size (metric designator)	Fitting and Conduit	Catalog Numbers
1/2" (16)	2 PS0509NGY, 6' G1050	PS05GYKIT
3/4" (21)	2 PS0759NGY, 6' G1075	PS07GYKIT

Note: See pages T-116 and T-117 for additional technical data and dimensional drawings.



PS05GYKIT

Non-metallic Liquidtight Fittings

Technical Data

POLYTUFF® Fittings

**PolyTuff Fittings****Operating Temperature***

Nylon (Body, Nut, Gripping Ring and Locknut)	-40°F to +225°F (-40°C to +107°C).
Neoprene (Sealing Ring)	-30°F to +240°F (-34°C to +116°C).

Flammability

Fire Gas Toxicity Product Testing	Nylon PolyTuff Fittings have a UL 94V-2 rating.
-----------------------------------	---

Certifications

UL Listed	UL50 Type 4X, 12 and 13
CSA Certified	PolyTuff I Fittings, Poly Tuff II Fittings.

Liquidtight Fittings**Operating Temperature****

Steel/Malleable Iron (Nut, Body, Ferrule)	-60°F to +1000°F (-51°C to +538°C).
Nylon (Gland Ring)	-40°F to +225°F (-40°C to +107°C).

Hazardous Locations

	NEC Reference
Class I, Div. 2	501-4b
Class II, Div. 1	502-4a2
Class II, Div. 2	502-4b2
Class III, Div. 1	503-3a2
Class III, Div. 2	503-3b

Certifications

UL Listed
CSA Certified

*Due to the limiting factors of nylon and neoprene, PolyTuff Fittings will continuously perform in the range -30°F to +225°F (-34°C to +107°C).

**Due to the limiting factors of nylon, metallic liquidtight flexible conduit fittings will continuously perform in the range of -40°F to +225°F (-40°C to +107°C).

Non-metallic Liquidtight Fittings

Technical Data

POLYTUFF® Fittings

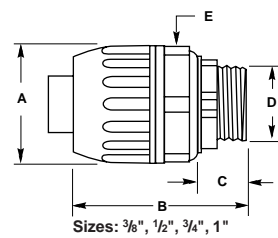
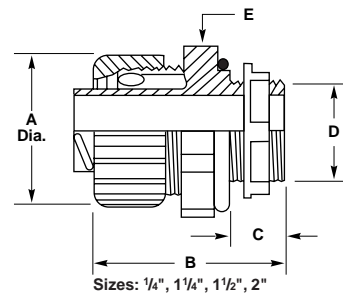


Straight with Male Non-Metallic Liquidtight Fittings

Trade Size (md**)	A	B	C	D Throat Dia.	E	
					A/C*	A/F*
1/4" (10)	.93" (23.6)	1.45" (36.8)	.39" (9.9)	.32" (8.1)	.86" (Dia.) (21.8)	
3/8" (12)	1.14" (29.0)	1.63" (41.4)	.57" (14.5)	.42" (10.7)	1.41" (35.8)	1.30" (33.0)
1/2" (16)	1.30" (33.0)	2.14" (54.4)	.57" (14.5)	.55" (14.0)	1.41" (35.8)	1.30" (33.0)
3/4" (21)	1.53" (38.9)	2.22" (56.4)	.58" (14.7)	.74" (18.8)	1.85" (47.0)	1.53" (38.9)
1" (27)	1.80" (45.7)	2.32" (58.9)	.72" (18.3)	.96" (24.4)	1.94" (49.3)	1.80" (45.7)
1 1/4" (35)	2.20" (55.9)	2.15" (54.6)	.74" (18.8)	1.30" (33.0)	2.38" (60.5)	2.18" (55.4)
1 1/2" (41)	2.49" (63.2)	2.35" (59.7)	.76" (19.3)	1.46" (37.1)	2.63" (66.8)	2.43" (61.7)
2" (53)	3.05" (77.4)	2.51" (63.6)	.79" (20.1)	1.90" (48.3)	3.13" (79.5)	2.93" (74.4)

*A/C = Across Corners A/F = Across Flats

**md = metric designator

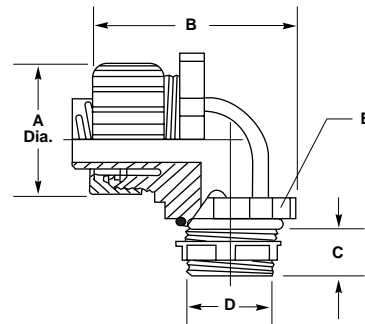


90° with Male Non-Metallic Liquidtight Fittings

Trade Size (md**)	A	B	C	D Throat Dia.	E	
					A/C*	A/F*
1/4" (10)	.93" (23.6)	1.88" (47.8)	.39" (9.9)	.32" (8.1)	.86" (Dia.) (21.8)	
1 1/4" (35)	2.21" (56.1)	3.57" (90.7)	.74" (18.9)	1.30" (33.0)	2.38" (60.5)	2.18" (55.4)

*A/C = Across Corners A/F = Across Flats

**md = metric designator



SwivelLok® Multi-Position Liquidtight Fittings

Trade Size (md**)	A	B	C	D	E	F	G	
							A/C*	A/F*
3/8" (12)	1.30" (33.0)	3.27" (83.1)	.57" (14.5)	.55" (14.0)	1.43" (36.3)	2.00" (50.8)	1.41" (35.8)	1.30" (33.0)
1/2" (16)	1.30" (33.0)	3.27" (83.1)	.57" (14.5)	.55" (14.0)	1.43" (36.3)	2.00" (50.8)	1.41" (35.8)	1.30" (33.0)
3/4" (21)	1.53" (38.9)	3.66" (93.0)	.58" (15.7)	.74" (18.8)	1.59" (40.4)	2.23" (56.6)	1.65" (41.9)	1.53" (38.9)
1" (27)	1.80" (45.7)	4.00" (101.6)	.72" (18.3)	.96" (24.4)	1.84" (46.7)	2.30" (58.4)	1.94" (49.3)	1.80" (45.7)

*A/C = Across Corners A/F = Across Flats

**md = metric designator

