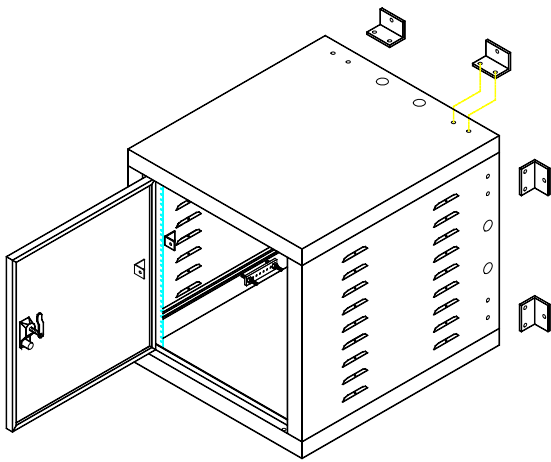


## CPS Wall Mounted Concentrator Cabinet

Chicago Public Schools Project



# 100257E Shown

### Features

- 19" wide rack mounting unit
- Spring loaded pin style hinges allow left/right door swing. Changeable only in the open position and allows door to swing 110 degrees
- Grounding via provided copper (7) position buss bar
- Sides louvered for ventilation
- (2) 1.125" knockouts provided on all sides (8 total)
- Locking lift & turn latch installed on steel front door
- Removable solid back panel with "double keyhole" mounting holes. Removal rear panel allows cabinet to be mounted over existing equipment by using provided external mounting angles
- Rear pan can be used as mounting template to insure a one man installation procedure
- All welded steel construction
- Includes (1) pair fully adjustable mounting rails tapped #10-32 on standard EIA-310-D
- Choice of powder coated colors over a three step phosphate wash

### Specifications

- Constructed from carbon steel
- All welded construction
- 100 lb weight capacity
- Mounting rails are zinc plated 14 gauge carbon steel construction with all holes tapped #10-32 EIA-310-D standard spacing
- Solid doors are constructed from carbon steel, all welded construction
- Colors available (Color code):
  - IBM White (W) (also known as "I" - Ivory)
  - Black (BLK)
  - Gray (G)

### Ordering Information

100257E Concentrator Wall Cabinet  
23"Wx26"Dx24"H  
(13 rack spaces)

Add color code to end of part number,  
e.g. 100257E-I