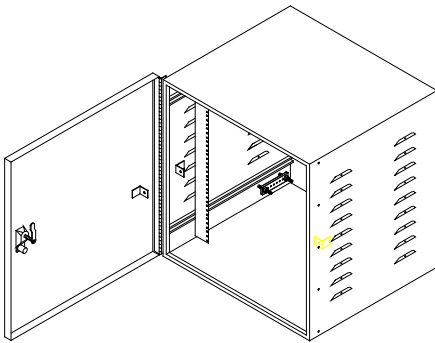




## SWDP-CPS Wall Mounted Sub-D Box

Chicago Public Schools Project

100257 Shown (SWDP-CPS-X)



### Features

- 19" wide rack mounting unit
- Pin Style Hinges allow left/right swing choice and is easily changable in the field only in the open position and allows door to swing 120 degrees
- A welded ground lug is provided inside the cabinet
- Sides louvered for ventilation
- Latch installed on front door
- Solid back with "keyhole" mounting holes
- Drill template included to insure a one man installation procedure
- All welded steel construction
- Mounting rails are tapped #10-32 and are fully adjustable front to rear
- Choice of powder coated colors over a three step phosphate wash

### Specifications

- Constructed from carbon steel
- All welded construction
- Mounting rails are zinc plated 14 gauge carbon steel construction with all holes tapped #10-32 EIA standard spacing
- Solid doors are constructed from carbon steel, all welded construction
- Colors available:
  - Ivory (I)
  - Gray (G)

### Ordering Information

SWDP-CPS-X Sub-D Box 23"Wx20"Dx24"H  
(13 rack spaces)

Please specify (I) for Ivory or (G) for gray color